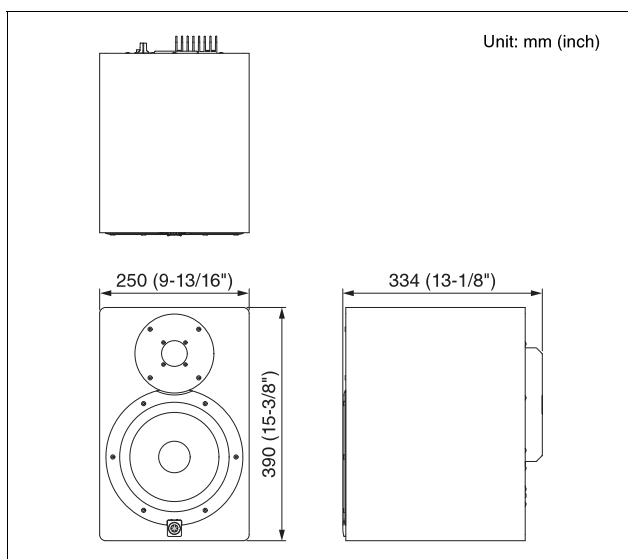


Specifications

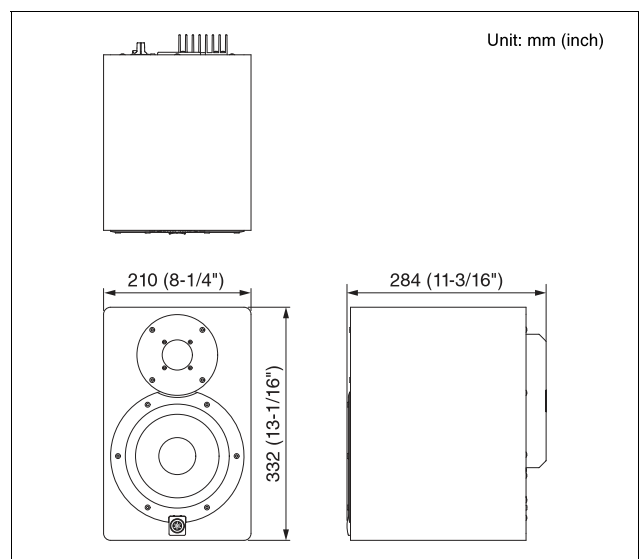
Model	HS8	HS7	HS5	HS8S	
General Specifications					
Type	Bi-amp 2-way powered speaker			Powered subwoofer	
Crossover Frequency	2 kHz			–	
Overall Frequency Response	-3dB	47 Hz – 24 kHz	55 Hz – 24 kHz	74 Hz – 24 kHz	33 Hz – 124 Hz
	-10dB	38 Hz – 30 kHz	43 Hz – 30 kHz	54 Hz – 30 kHz	22 Hz – 160 Hz
Dimensions (W x H x D)	250 x 390 x 334 mm 9-13/16 x 15-3/8 x 13-1/8"	210 x 332 x 284 mm 8-1/4 x 13-1/16 x 11-3/16"	170 x 285 x 222 mm 6-11/16 x 11-1/4 x 8-3/4"	300 x 350 x 389 mm 11-13/16 x 13-3/4 x 15-5/16"	
Weight	10.2 kg (22.5 lb.)	8.2 kg (18.1 lb.)	5.3 kg (11.7 lb.)	12.5 kg (27.6 lb.)	
Speaker Components					
Speaker Components	LF: 8" cone HF: 1" dome	LF: 6.5" cone HF: 1" dome	LF: 5" cone HF: 1" dome	8" cone	
Enclosure	Bass-reflex type, Material: MDF				
Amplifier Unit					
Output Power	Total	120 W (dynamic power)	95 W (dynamic power)	70 W (dynamic power)	150 W, 4 ohms (dynamic power)
	LF	75 W (4 ohms)	60 W (4 ohms)	45 W (4 ohms)	–
	HF	45 W (8 ohms)	35 W (8 ohms)	25 W (8 ohms)	–
Input Sensitivity / Impedance	-10 dBu/10k ohms				
Output Level/Impedance	–			-10 dBu/600 ohms	
Input Connectors (Parallel)	1: XLR-3-31 type (balanced) 2: PHONE (balanced)				
Output Connectors	–			XLR-3-32 type (balanced) x2 (L&R)	
Controls	LEVEL control (+4 dB, center click) EQ: HIGH TRIM switch (+/- 2 dB at HF), ROOM CONTROL switch (0/-2/-4 dB under 500Hz)			LEVEL control PHASE switch (NORM./REV.) HIGH CUT control (80 – 120 Hz, center click) LOW CUT control (80 – 120 Hz, center click) LOW CUT switch (ON/OFF)	
Indicator	Power ON (White LED)				
Power Consumption	60 W	55 W	45 W	70 W	

Dimensions

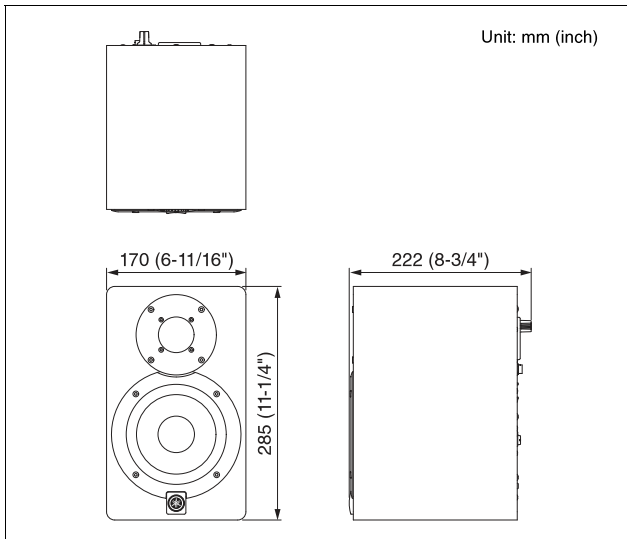
HS8



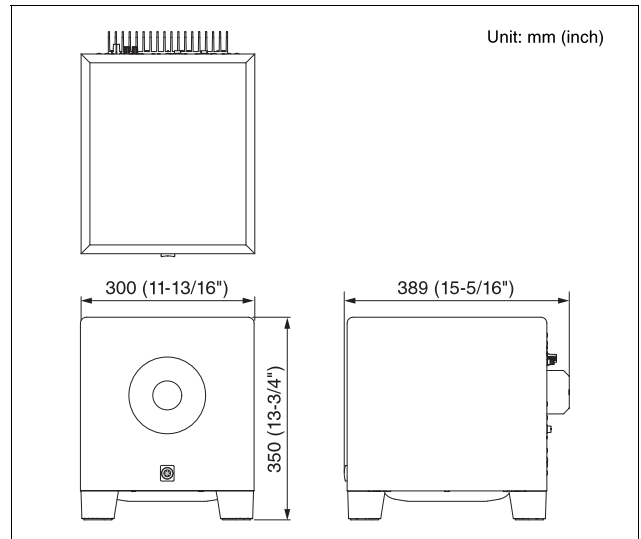
HS7



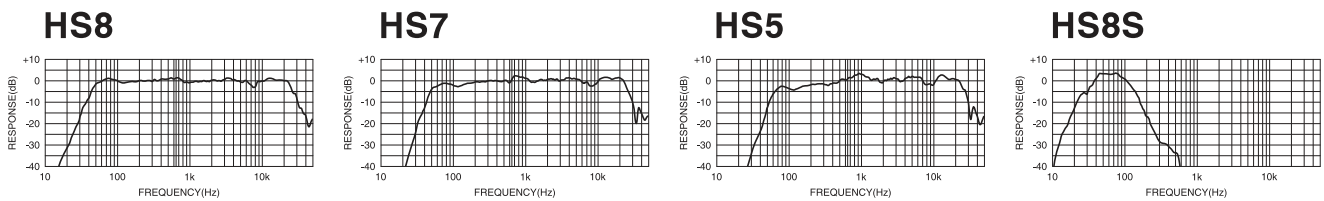
HS5



HS8S

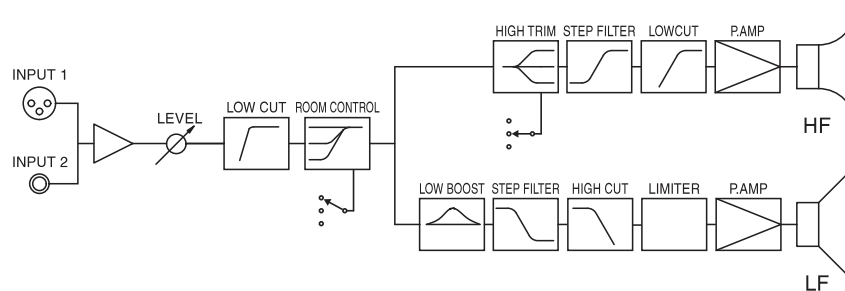


Performance Graph

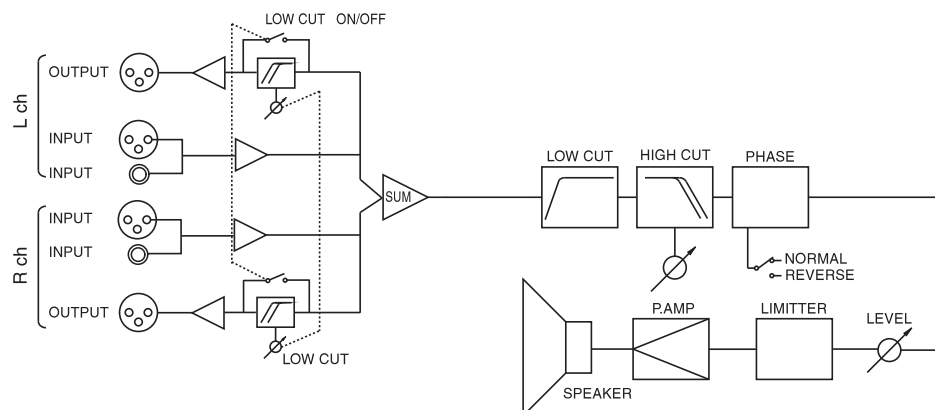


Block Diagram

HS8/HS7/HS5



HS8S



English

Deutsch

Français

Español

Português

Italiano

Русский

中文

日本語