



Spec Sheet

DVX P15

2-Way Passive Speaker
15" / 1.4", 500W RMS - 8ohm



Applications

- Compact live sound reinforcement system
- Foreground / background music, infill / delay
- Portable PA, retail, clubs, ballrooms, houses of worship, corporate AV, live theatres
- Stage monitoring

Features

- 2-Way Passive Speaker
- 90° x 40° rotatable CD horn
- 15" woofer; 1.4" neodymium comp. driver
- 500W RMS / 1000W Peak, 8 ohm
- Dual angle enclosure for both front-of-house and floor monitor applications
- Premium crossover with precision filters
- Self-resetting thermal protection on high-frequencies

Description

The DVX P series combines dBTechnologies knowledge-based engineering, gained through years of innovative products especially in the active speakers segment, to passive speaker users needs. Up-to-speed transducer technology combined with compact dimensions, lightweight and a sturdy construction, places DVX P series among dBTechnologies high-end loudspeakers.

Its line-up is composed by five full-range speakers (DVX P8, P10, P12, P15, P215) and three subwoofers (DVX PSW15, PSW18 and PSW218), making this series very complete and suitable for any application where great performance and high-definition audio are needed.

DVX P15 is a powerful 15" / 1.4" 2-way passive

loudspeaker whose plywood cabinet has been specifically designed to render speech contents, background and any other kind of music in medium to large sized rooms. It is also the right choice in case of use as a full-range FOH speaker or a powerful drum monitor.

Provided with a high-quality 15" woofer, a 1.4" neodymium compression driver on a rotatable CD horn and a premium crossover with precision filters, it assures maximum speech intelligibility and delivers punchy, assertive bass response without requiring an added subwoofer. Not only, but combined with its compact dimensions, light weight and sturdy construction, it is rightfully placed among dBTechnologies high-end passive loudspeakers.

The DVX P15 is equipped with a 15" woofer (3" voice coil) and a 1.4" compression driver (2.5" voice coil) on a 90°x40° rotatable plastic CD-horn. It also features a passive crossover filter with 12dB/oct slope of for low-pass part, 18dB/oct for high-pass and a self-resetting thermal protection circuit on the high-frequencies driver to prevent protracted overloading.

The huge versatility is confirmed by 2 handles on the sides that enables easy transport, 4 fly-pins for wall-mount brackets located in pairs on each side of the speaker, 12 x M10 threads rigging points, and a standard aluminum pole mount cup (Ø36mm). Its slanted back panel with two angles (40° and 25°) enables stage monitoring purposes, and the rotatable CD-horn allows the user to maintain the same high-frequencies coverage angle also when the speaker is used as monitor.

Combining the DVX P15 with DVX PSW passive subwoofer series, HPA Power amplifiers and AC26N loudspeaker processor creates premium quality audio systems.

DVX P15

Technical Specifications

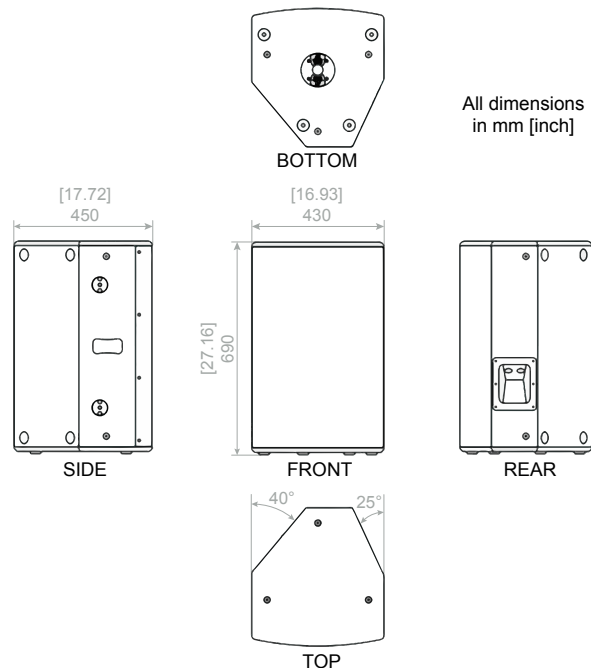
Acoustical Data

Speaker Type	2-Way Active Speaker	
Frequency Response	[- 10dB] [- 6dB]	60 - 20.000 Hz 70 - 20.000 Hz
Max SPL	133 dB	
RMS / Peak Power	500W / 1000W	
HF	1.4" Neodymium, 2.5" voice coil	
Directivity	90° x 40°	
Horn	CD Horn Aluminium	
Rotatable Horn	YES	
LF	15", 3" voice coil	
Impedence	8 ohm	
Protection	Self-resetting thermal protection on high-frequencies	
Crossover Frequency	1400 Hz	
Filter	18dB/oct HIGH PASS; 12dB/oct LOW PASS	
Audio connector	2 x SPEAKON In parallel	

Mechanics

Housing	Plywood, black
Angles Up	Monitor use 40°, 25°
Rigging Points	12 x M10, 4 x fly-pins
Handles	2 x housing (1 x side)
Dimension (WxHxD)	430 x 690 x 450mm - 16.9 x 27.2 x 17.7in
Weight	26.1Kg - 57.5lbs.

Overall Dimensions



Accessories

DTF 15	Easy mount bracket for DVX D15HP
TC 15	Padded cover for DVX D15HP
TE M10	Eye-bolt set (4 pcs) with M10-thread
WB 09	Universal wall mount bracket, swivel and tilt Ø35mm pole mount

info@dbtechnologies-aeb.com www.dbtechnologies.com

dBTechnologies products are continually improved. All specifications are therefore subject to change without notice.