



Spec Sheet

DVX DM28

2-Way Active Stage Monitor 2x8" + 1.4"
750W RMS **DIGIPRO**

**Applications**

- Main vocal stage monitor
- Keyboard or other instruments stage monitor
- Side-fill monitor for small to medium-scale applications

Features

- 2-Way Active Stage Monitor
- 90° x 60°/40° directivity
- 2x 8" Neodymium woofers, 2.5" voice coil
- 1" Neodymium driver, 1.75" voice coil, with asymmetrical horn
- 750W RMS Class-D Digipro® amplifier
- 24 bit \ 48 kHz DSP
- Multiband, RMS/Peak, Thermal Limiter
- Flat / Monitor EQ presets

Description

DVX DM28 is an active two-way stage monitor featuring two neodymium 8" woofers (2.5" voice coil) and a neodymium 1" compression driver (1.75" voice coil), installed on a CD-horn with double horizontal dispersion 90°x60°-40°.

Its natural response, dynamic balance, and high SPL in a compact and inconspicuous package is absolutely amazing. The ultra-low profile enclosure and quality of the two woofers makes this stage monitor able to render signals with impressive precision.

In contrast to cabinets loaded with simple 8" speakers, the DVX DM28 packs a mighty low-midrange punch and responds far faster to transients in the signal, rendering each attack

with awesome accuracy and power. The greater dynamic range fully outperforms standard 12" systems.

It is equipped with DIGIPRO® series class D amplifier delivering 500W RMS for the bass section and 250W RMS for the high frequency section. This high-efficiency amplifier delivers high output power in a compact size and low weight.

Thanks to its high efficiency the cooling of the amplifier module is obtained statically, thus avoiding the use of an external fan.

The power supply circuits of the DIGIPRO® amplifier has been conceived to work in full-range mode, and thanks to the SMPS (Switched-Mode Power Supply) technology with PFC (Power Factor Correction) the operation with supply voltages between 100 Vac and 240Vac is guaranteed by ensuring the same sound performances even with floating and non-stabilized power supply systems.

The integrated 24bit/48kHz DSP acts as the enclosure controller, serving as an active equalizer, active Xover with phase and delay time alignment, peak, thermal and multiband limiter.

You can easily choose between two EQ presets (flat and monitor) by pressing the MODE button on the side panel, adapting the DVX DM28 to full-range or stage monitor use.

Made of rugged 15mm multiplex plywood coated with tough black lacquer, its light low-profile enclosure sets up at two different angles. The two recessed handles on each side of the speaker enable easy transport and installation.

DVX DM28

Technical Specifications

System Specifications

Speaker Type	2-Way Active Stage Monitor
--------------	----------------------------

Acoustical Data

Frequency Response	[-10dB] [- 3dB]	70 - 20.000 Hz 89 - 19.000 Hz
Max SPL		130 dB
HF Type HF Voice Coil HF		1" Neodymium Compression Driver Titanium 1.75"
Directivity		90°x60°/40°
Horn		Asymmetrical
LF Type LF Voice Coil LF		2x8" Neodymium 2.5"

Amplifier

Amp Technology	Digipro®
Amp Class	Class D
Peak Power	1500 W
Power Supply	Full-range with PFC
Cooling	Convection

Processor

Controller	DSP 24 Bit/48 kHz
System Presets	Flat, Monitor
Limiter	RMS, Peak, Thermal, Multiband
Crossover Frequency MF-HF	1600 Hz
Slope MF-HF	24 dB/Octave

Connections / Controls

Input	XLR balanced
Out	XLR balanced (Link out)
EQ Preset	2-way switch (Monitor - Full-range)
Sensitivity	Rotative knob
Indicators	4x LEDs (ON, MUTE, SIGNAL, LIMITER)
Mains	Powercon® (Mains Input- Blue) Powercon® (Mains Link - White) Mains Fuse 220-240V~ (T5A 250V) / 100-120V~ (T10A 250V)

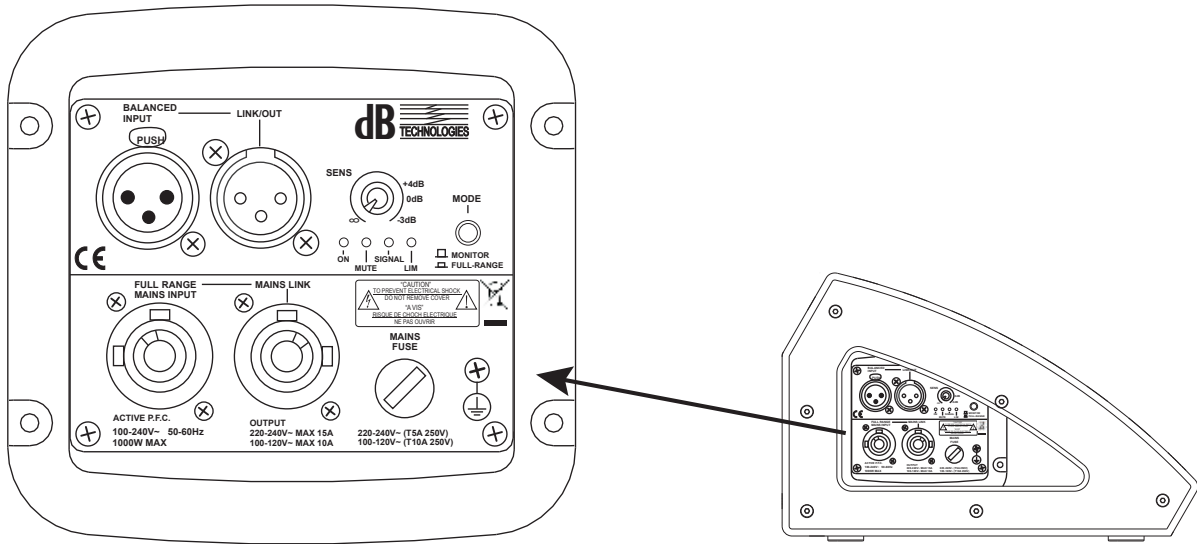
Mechanics

Housing	Multiplex plywood
Housing Design	Low Profile Multifunctional
Angles Up	30°, 60°
Handles	2x recessed handles (one on each side)
Width	480 mm (18.90 in)
Height	265 mm (10.43 in)
Depth	418 mm (16.46 in)
Weight	14 kg (30.86 lbs.)

DVX DM28

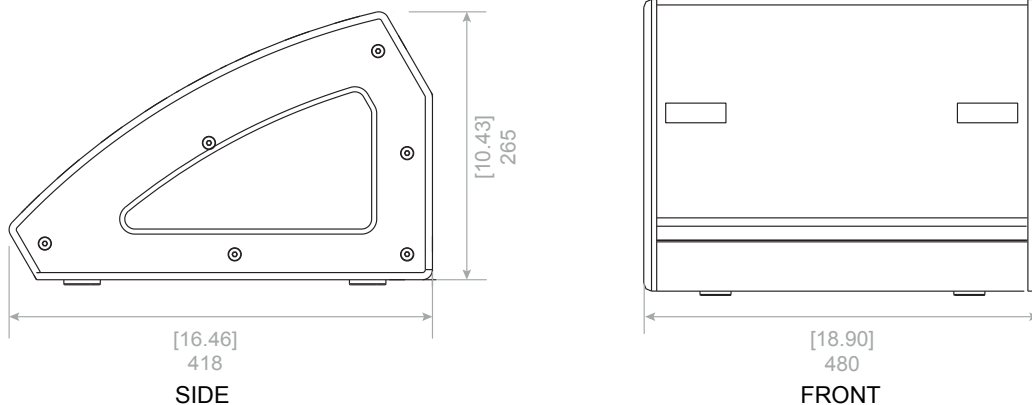
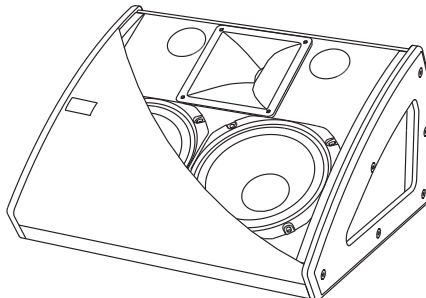
Technical Specifications

Side Panel



Overall Dimensions

All dimensions in mm [inch]



Accessories

TC 28M

Tour Cover for DVX DM28

info@dbtechnologies-aeb.com www.dbtechnologies.com

dBTechnologies products are continually improved. All specifications are therefore subject to change without notice.