



Surface Mount Speaker

VS Series

VS6 / VS6W / VS4 / VS4W



The Perfect Complement

A superb blend of aesthetic simplicity and functional sophistication, the VS Series delivers high quality sound in a variety of indoor and outdoor settings, particularly locations where interior design is a consideration.

Let the VS Series be the perfect complement to your sonic needs.

Features

- Compact surface mount speakers with superior sound quality and sleek, functional design.
- Series comprises two models: the VS6 (6.5" woofer) and VS4 (4" woofer) - both models feature a 1" balanced dome tweeter and are available in Black or White.
- Waterproof construction meeting the IEC60529 IPX3 rating requirements for outdoor usage.
- Internally mounted transformers allowing operation in 70V or 100V distributed sound systems.
- Dedicated, color-matched steel U-bracket enclosed for horizontal or vertical installation.

- Paintable enclosure and grill to match any decor.
- Overload protection circuit provided to protect speaker components.



One Sound. Countless Applications.



Along with the VS Series, Yamaha offers a comprehensive lineup of sound system solutions bringing the same high quality sound to a broader range of commercial installation applications.

MG Series
Mixing Consoles



CD-S300RK, CD-C600RK
CD Players



IMX644
Digital Installation Mixer

IPA8200
Multi-Channel Power Amplifier

XM Series
Multi-Channel Power Amplifiers

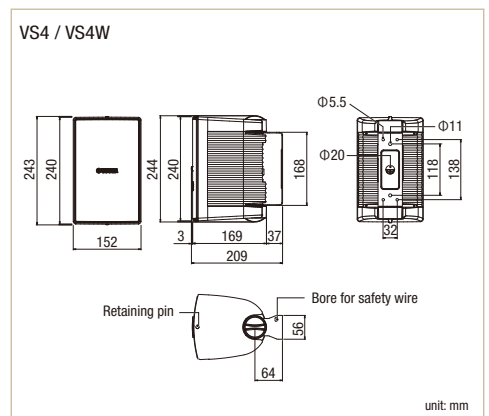
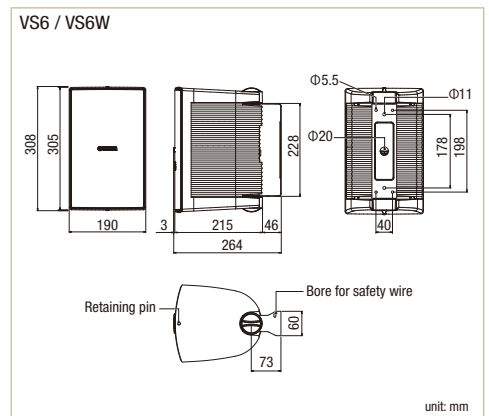
XH200
Distribution Power Amplifier



Specifications

Model		VS6 / VS6W	VS4 / VS4W
Components	LF	6.5" (160mm) cone driver	4" (100mm) cone driver
	HF	1" (25mm) balanced dome tweeter	
Coverage Angle (H × V)		90 × 90	110 × 110
Crossover Mode		Passive only	
Passive Crossover Frequency		15kHz	15kHz
Nominal Impedance		8Ω	
Power Rating*1(IEC, 100hours)	NOISE	25W	15W
	PGM	50W	30W
	MAX	100W	60W
Sensitivity (1W, 1m)		90dB SPL	88dB SPL
Maximum SPL*2 (Calculated, 1m)		110dB SPL (100W)	106dB SPL (60W)
Frequency Range (Full space)*3	-10dB	80Hz - 20kHz	100Hz - 20kHz
Connectors		2 pairs of barrier strip (parallel-wired)	
Transformer Taps	70V	25W, 12.5W, 6.3W, 3.1W	15W, 7.5W, 3.8W, 1.9W
	100V	25W, 12.5W, 6.3W	15W, 7.5W, 3.8W
Overload Protection		Power limiting to protect the woofer	
Waterproof		IEC 60529 IPX3 splash proof rating	
Enclosure	Shape	Rectangular	
	Type	Vented	
	Material	HIPS, 94-HB	
	Finish	VS6, VS4: Black VS6W, VS4W: White	
	Grill	Powder coated perforated steel	
	Suspension attachment	U-bracket (4 × Ø5.5mm and 2 × Ø11mm holes)	
Dimensions (Bracket is not included) (W × H × D in vertical cabinet orientation)		190 × 308 × 219 mm (7 1/2 × 12 1/8 × 8 5/8 inch)	152 × 243 × 172 mm (6 × 9 9/16 × 6 3/4 inch)
Net Weight (Bracket is not included, 1 piece)		2.8 kg (6.2 lbs)	1.9 kg (4.2 lbs)
Included accessories		U-bracket, Owner's Manual, Retaining knob, Terminal cover, Terminal cover screw, SPECIFICATIONS	
Packaging		Packaged in pair	

*1: IEC shaped pink noise with 6 dB crest factor. *2: Calculated based on power rating and sensitivity, exclusive of power compression. *3: Free field 4m



YAMAHA CORPORATION
P.O. BOX1, Hamamatsu Japan
www.yamahaproaudio.com

*All specifications are subject to change without notice. *All trademarks and registered trademarks are property of their respective owners.



Printed in Japan