

i series

IP54 Certified Installation speakers

IP54
certified



i8 / i8T



i6 / i6T



i4 / i4T



i6 / i6T White



i4 / i4T White



i8 / i8T White

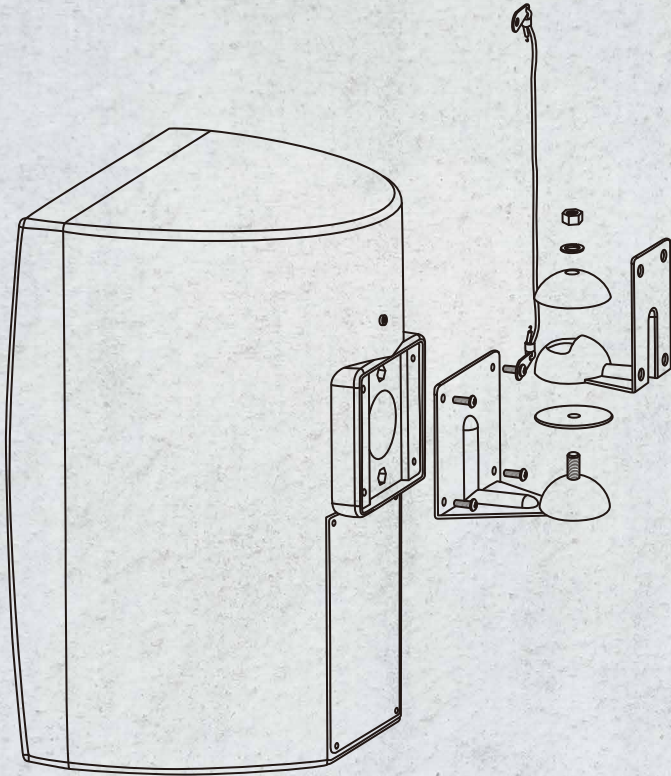
- ✔ Durable ABS construction with full face grilles
- ✔ 8", 6.5" or 4" low impedance 8Ω models
- ✔ 8", 6.5" or 4" 70v/100v Transformer models
- ✔ Available in BLACK or WHITE

- ✔ Integral mounting bracket - included
- ✔ Seismic restraint tethers - included
- ✔ Easy installation
- ✔ Supplied in pairs



ABOUT THE i SERIES

Designed specifically for small to medium scale commercial installations, the 'i series' is made up of 3 ABS plastic models (4", 6.5" and 8"). Each model is available in a 70v/100v or in a 8Ω low impedance configuration and is available in Black or White.



MOUNTING

All models are supplied with fully adjustable steel wall mounting brackets. (No more searching through websites looking for compatible mounting hardware! The brackets come inside the box.)

These brackets are simple to install and give comprehensive adjustment angles due to the semi-circular 'ball and socket' design.

i series are easy to mount, easy to adjust and simple to securely lock in place.

There is also a threaded insert for attachment of the included seismic restraint tether.

DRIVERS

Internally, the i series use a two-way design with a 1.0" silk dome tweeter and custom Wharfedale Pro 4", 6.5" or 8" low frequency drivers.

This combination results in a natural sounding speaker that suits both pre-recorded music playback or voice applications.



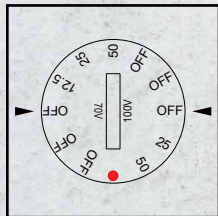
With IP54 certification, all i series installation loudspeakers are protected from limited dust ingress and are protected from water spray from any direction.

Full peace of mind - protection against extreme conditions. A full-face aluminium front grille also gives solid protection against any physical impact damage.

70v / 100v 'T' MODELS

i8T / i6T

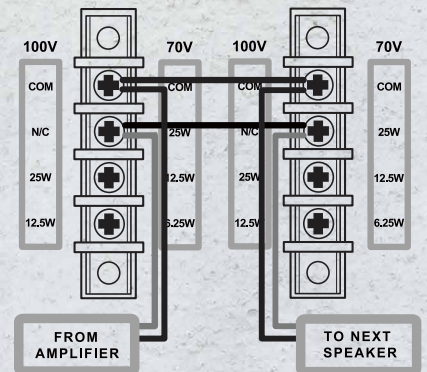
The i8T and i6T are fitted with two terminals for the (+) and (-) incoming amplifier feed and two terminals for connection to the next speaker if used.



An adjustable voltage selector allows for accurate and secure power settings. Set and forget.

i4T

The 70/100V i4T model uses one terminal for the Common (-) connection and the other three terminals for the transformer power taps. The i4T offers taps at 25W, 12.5W and 6.25W



SPECIFICATIONS



Model Name	i4	i4T	i6	i6T	i8	i8T
System Type	Passive	Passive	Passive	Passive	Passive	Passive
Configuration	Two-way	Two-way	Two-way	Two-way	Two-way	Two-way
Freq Response (+/-3dB)	100Hz - 20kHz	100Hz - 20kHz	70Hz - 20kHz	70Hz - 20kHz	70Hz - 20kHz	70Hz - 20kHz
Freq Range (-10dB)	60Hz - 20kHz	60Hz - 20kHz	50Hz - 20kHz	50Hz - 20kHz	50Hz - 20kHz	50Hz - 20kHz
Sensitivity (2.83v/1m)	84dB	83dB	86dB	85dB	87dB	86dB
Calculated Max SPL @1m	105dB	95dB	109dB	102dB	110dB	103dB
System Impedance	8Ω	n/a	8Ω	n/a	8Ω	n/a
Low Frequency Transducer						
Size	4"	4"	6.5"	6.5"	8"	8"
Voice Coil Size	1"	1"	1"	1"	1"	1"
Rated Impedance	8Ω	8Ω	8Ω	8Ω	8Ω	8Ω
LF Power (re:AES2-2012)	25W	25W	50W	50W	50W	50W
High Frequency Transducer						
HF Driver Type	Soft dome tweeter	Soft dome tweeter	Soft dome tweeter	Soft dome tweeter	Soft dome tweeter	Soft dome tweeter
Voice Coil Size	1"	1"	1"	1"	1"	1"
Diaphragm Material	Silk	Silk	Silk	Silk	Silk	Silk
Rated Impedance	8Ω	8Ω	8Ω	8Ω	8Ω	8Ω
HF Power (re:AES2-2012)	10W	10W	10W	10W	10W	10W
Nominal Coverage (H x V)	110° x 130°	110° x 130°	150° x 170°	150° x 170°	130° x 180°	130° x 180°
Power						
System Continuous Power	25w	70v : 6.25w /12.5w/25w	50w	70v : 12.5w /25w/50w	50w	70v : 12.5w /25w/50w
System Programme Power	50w	100v : 12.5w / 25w	100w	100v : 25w / 50w	100w	100v : 25w / 50w
System Peak Power	100w		200w		200w	
Crossover frequency	2.8kHz	2.8kHz	2.2kHz	2.2kHz	2.0kHz	2.0kHz
Input Connector	Screw terminal	Screw terminal	Phoenix terminal	Phoenix terminal	Phoenix terminal	Phoenix terminal
Hardware	Wall bracket included	Wall bracket included	Wall bracket included	Wall bracket included	Wall bracket included	Wall bracket included
Enclosure						
Enclosure Material and finish	Plastic (ABS)	Plastic (ABS)	Plastic (ABS)	Plastic (ABS)	Plastic (ABS)	Plastic (ABS)
Colour Options	Black or White	Black or White	Black or White	Black or White	Black or White	Black or White
Grille Material & Finish	Aluminium	Aluminium	Aluminium	Aluminium	Aluminium	Aluminium
Dimensions - Unpacked						
Height	232mm/9.1"	232mm/9.1"	370mm/14.6"	370mm/14.6"	405mm / 15.8"	405mm / 15.8"
Width	160mm/6.3"	160mm/6.3"	245mm/9.6"	245mm/9.6"	270mm / 10.6"	270mm / 10.6"
Depth	148mm/5.8"	148mm/5.8"	216mm/8.5"	216mm/8.5"	234mm / 9.2"	234mm / 9.2"
Dimensions - Packed(1 PAIR)						
Height	335mm/13.2"	335mm/13.2"	495mm/19.5"	495mm/19.5"	549mm / 21.6"	549mm / 21.6"
Width	425mm/16.7"	425mm/16.7"	565mm/22.3"	565mm/22.3"	602mm / 23.7"	602mm / 23.7"
Depth	210mm/8.3"	210mm/8.3"	340mm/13.4"	340mm/13.4"	363mm / 14.3"	363mm / 14.3"
Weight						
Net Weight (single speaker)	2.1kg / 4.62lbs	2.72kg / 5.98lbs	4.3kg / 9.46lbs	5.3kg / 11.6lbs	4.7kg / 10.34lbs	5.7kg / 12.54lbs
Gross Weight(1PAIR,Inc Bracket)	5.86kg / 12.9lbs	7.1kg / 15.6lbs	11.12kg / 24.5lbs	13.75kg / 30.25lbs	12.7kg / 27.9lbs	14.7kg / 32.34lbs

Dealer:

Errors and omissions excepted (E&OE) : Wharfedale Pro : Sept 2020