

iQ8-WB

Steel Wall Bracket for
iQ8 Loudspeakers



- Steel wall bracket for iQ8 loudspeakers
- Mounts 1 speaker horizontally or vertically to a wall
- Adjustable angle for optimum audience coverage
- Hard wearing semi matt black powder coat finish
- 3-Year Warranty Program*
- Designed and engineered in England

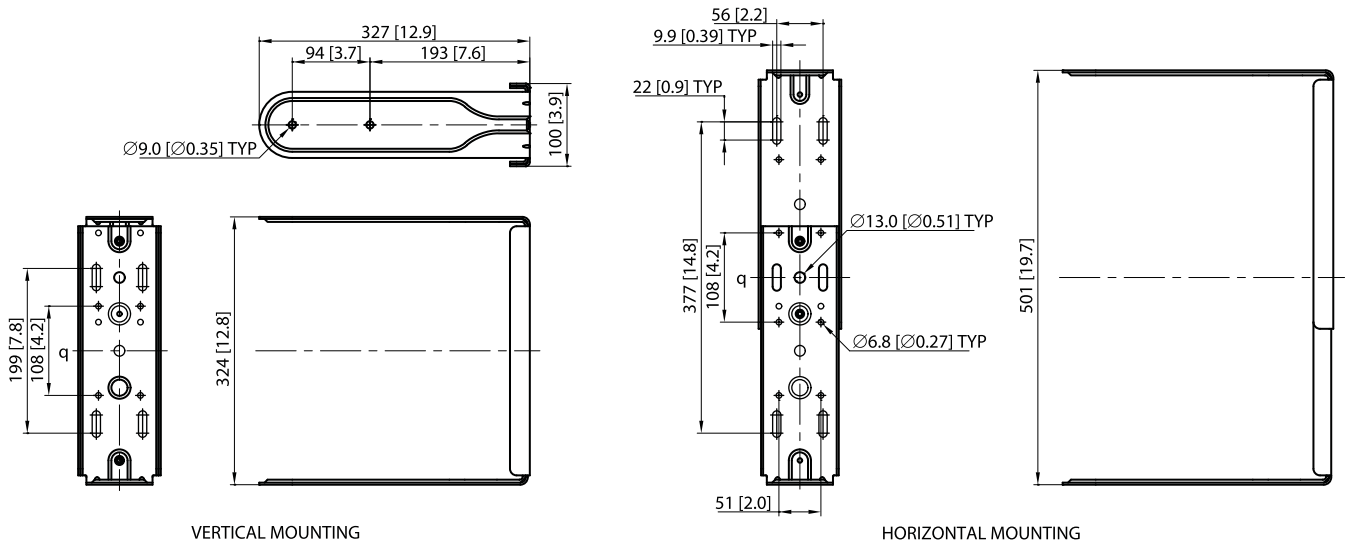
The iQ8-WB is a matt black, powder coated wall bracket specifically designed to hang the iQ8 in standalone applications, such as wall or ceiling mounting in bars or clubs, or as an under-balcony fill. The iQ8-WB consists of two yoke spacers and brackets, plus all the fasteners required for assembly. After the iQ8 is securely mounted and adjusted for the desired coverage, the screws attaching the enclosure to the bracket should be fully tightened to finalise the installation.



iQ8-WB

Steel Wall Bracket for
iQ8 Loudspeakers

Dimensions



iQ8-WB

Steel Wall Bracket for
iQ8 Loudspeakers



iQ8-WB

Steel Wall Bracket for
iQ8 Loudspeakers



iQ8-WB

Steel Wall Bracket for
iQ8 Loudspeakers



For service, support or more information contact the TURBOSOUND location nearest you:

Europe
MUSIC Group Services UK
Tel: +44 156 273 2290
Email: CARE@music-group.com

USA/Canada
MUSIC Group Services NV Inc.
Tel: +1 702 800 8290
Email: CARE@music-group.com

Japan
MUSIC Group Services JP K.K.
Tel.: +81 3 6231 0454
Email: CARE@music-group.com

MUSIC Group accepts no liability for any loss which may be suffered by any person who relies either wholly or in part upon any description, photograph, or statement contained herein. Technical specifications, appearances and other information are subject to change without notice. All trademarks are the property of their respective owners. MIDAS, KLARK TEKNIK, TURBOSOUND, BEHRINGER, BUGERA and DDA are trademarks or registered trademarks of MUSIC Group IP Ltd. © MUSIC Group IP Ltd. 2015 All rights reserved.