

Portable Speakers

MADRID TMS118B

18" Front Loaded Subwoofer for Portable PA and Installation Applications



- Front loaded subwoofer for portable PA and installation applications
- 800 Watts continuous, 3,200 Watts peak power
- Ideal for FOH, side and drum fill applications
- Carbon fibre loaded 18" low frequency driver with inside/outside wound coil
- Switchable input and link connections for 4 core speaker cables
- Low distortion bass reflex port design
- 18 mm (¾") birch plywood enclosure with hard wearing semi matt black paint finish
- Rugged powder coated perforated steel mesh grille
- 20 mm threaded pole mount to support satellite speaker
- Durable handles for easy lifting and carrying
- Neutrik speakON* NL4 connectors for reliable long life operation
- 3-Year Warranty Program*
- Designed and engineered in England

The 3,200-Watt TMS118B is a front loaded 18" subwoofer system designed for a wide range of music and live sound reinforcement applications. Engineered to work in conjunction with **TURBOSOUND** loudspeaker management systems, the TMS118B provides optimal FOH performance, as well as exceptional drum and side fill monitoring duties.



A bass reflex port design enclosure, with a high powered carbon fibre loaded 18" low frequency driver that utilizes a specialised voice coil wound on both the inside and outside of the coil former for higher magnetic density, better heat dissipation, high power handling capacity, and improved efficiency. The TMS118B subwoofer provides fast and accurate transient response for virtually distortion-free operation – even in the most demanding performances.

Finished in a highly durable semi matt black paint, the cabinet is constructed from 18 mm (¾") birch plywood – and includes a rugged powder coated perforated steel mesh grille backed with reticulated foam, an integral 20 mm threaded pole mount for satellite speaker applications, and durable carry handles that are strategically placed for easy transport. The rear panel connector plate carries Neutrik speakON* NL4 connectors, with switchable input and link connections to accommodate standalone subwoofer applications, or subwoofer and satellite speaker connectivity via 4 core speaker cabling.

*All third-party trademarks are the property of their respective owners. Their use neither constitutes a claim of the trademark nor affiliation of the trademark owners with MUSIC Group. Product names are mentioned solely as a reference for compatibility, effects and/or components. Warranty details can be found at music-group.com.

MADRID TMS118B

18" Front Loaded Subwoofer for Portable PA
and Installation Applications



You Are Covered

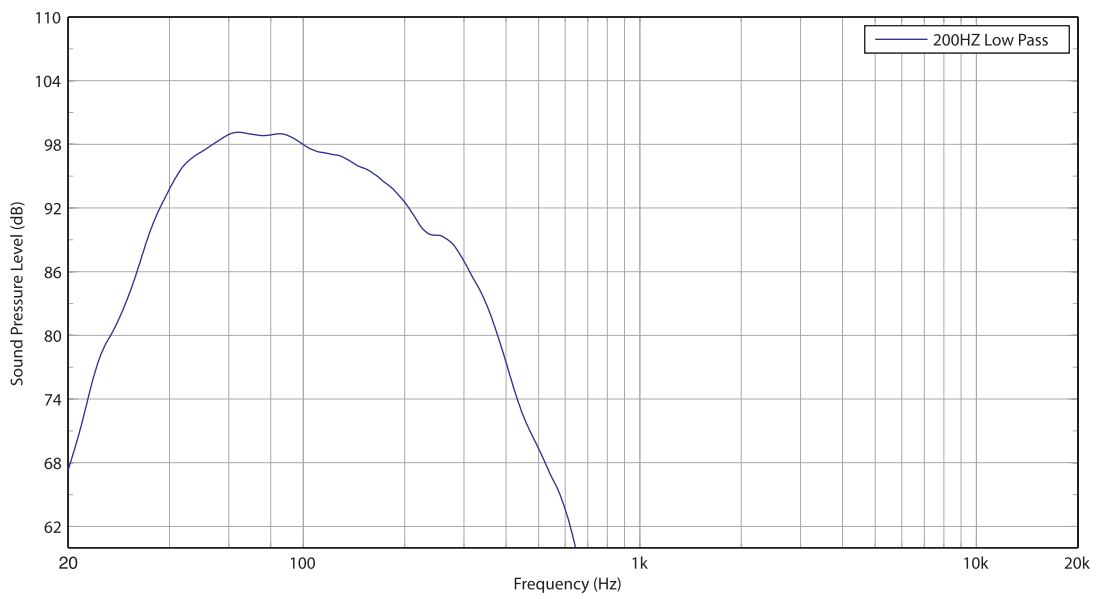
We always strive to provide the best possible Customer Experience. Our products are made in our own [MUSIC Group](#) factory using state-of-the-art automation, enhanced production workflows and quality assurance labs with the most sophisticated test equipment available in the world. As a result, we have one of the lowest product failure rates in the industry, and we confidently back it up with a generous [3-Year Warranty program](#).

Portable Speakers

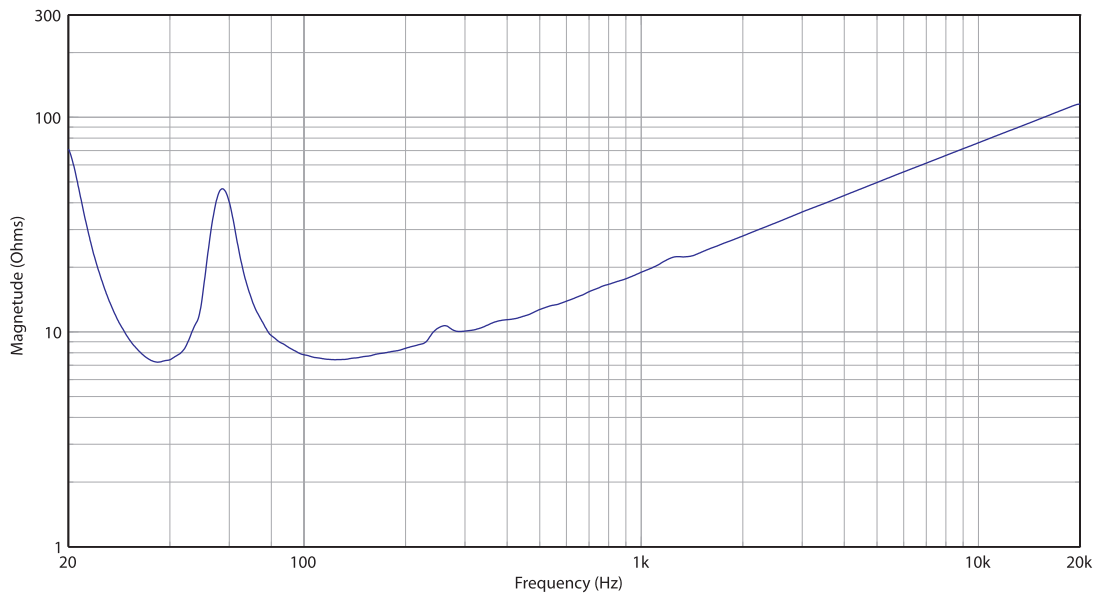
MADRID TMS118B

18" Front Loaded Subwoofer for Portable PA
and Installation Applications

Frequency Response Sensitivity 1 W / 1 m



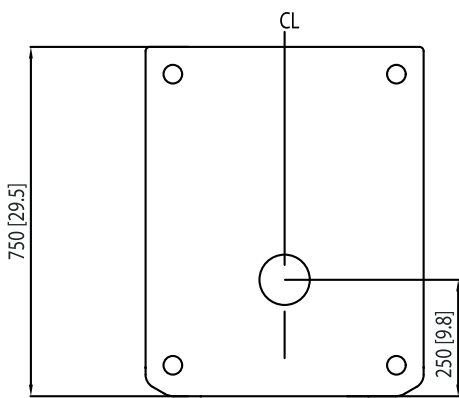
Impedance



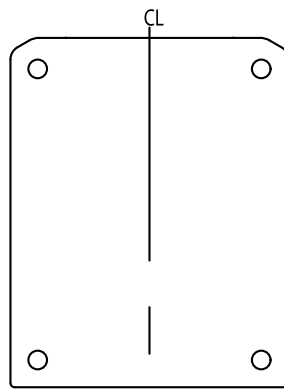
MADRID TMS118B

18" Front Loaded Subwoofer for Portable PA
and Installation Applications

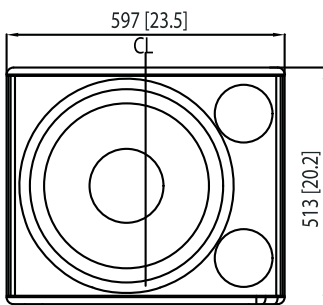
Dimensions



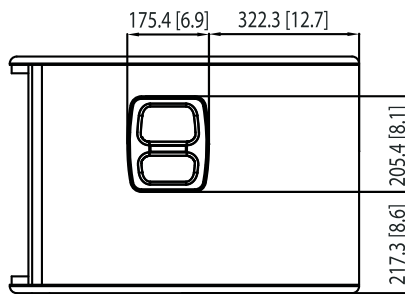
TOP



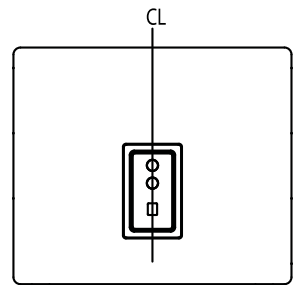
BOTTOM



FRONT



SIDE



BACK

Portable Speakers

MADRID

TMS118B

18" Front Loaded Subwoofer for Portable PA
and Installation Applications

Technical Specifications

System

Frequency Response	38 Hz – 200 Hz \pm 3 dB 32 Hz – 200 Hz -10 dB
Nominal Dispersion	Half space
Power Handling (IEC)	800 W continuous, 3,200 W peak
Sensitivity	97 dB
Maximum SPL	126 dB continuous, 132 dB peak
Impedance	8 Ω
Components	1 x 18" (460 mm) LF driver

Enclosure

Connectors	2 x Neutrik speakON* NL4
Wiring	
Switch position 1+/1-	Pins 1+ / 1- input, pins 2+ / 2- link
Switch position 2+/2-	Pins 1+ / 1- link, pins 2+ / 2- input
Dimensions HWD	513 x 597 x 750 mm (20.2 x 23.5 x 29.5")
Net Weight	39.8 kg (87.6 lbs)
Construction	18 mm (3/4") birch plywood
Finish	Semi matt black paint
Grille	Powder-coated perforated steel
Flying Hardware	—

Accessories

TPOLE60-20, 60 cm pole with a 20 mm thread

TPOLE90-20, 90 cm pole with a 20 mm thread

TPOLE120-20, 120 cm pole with a 20 mm thread

MADRID TMS118B

18" Front Loaded Subwoofer for Portable PA
and Installation Applications



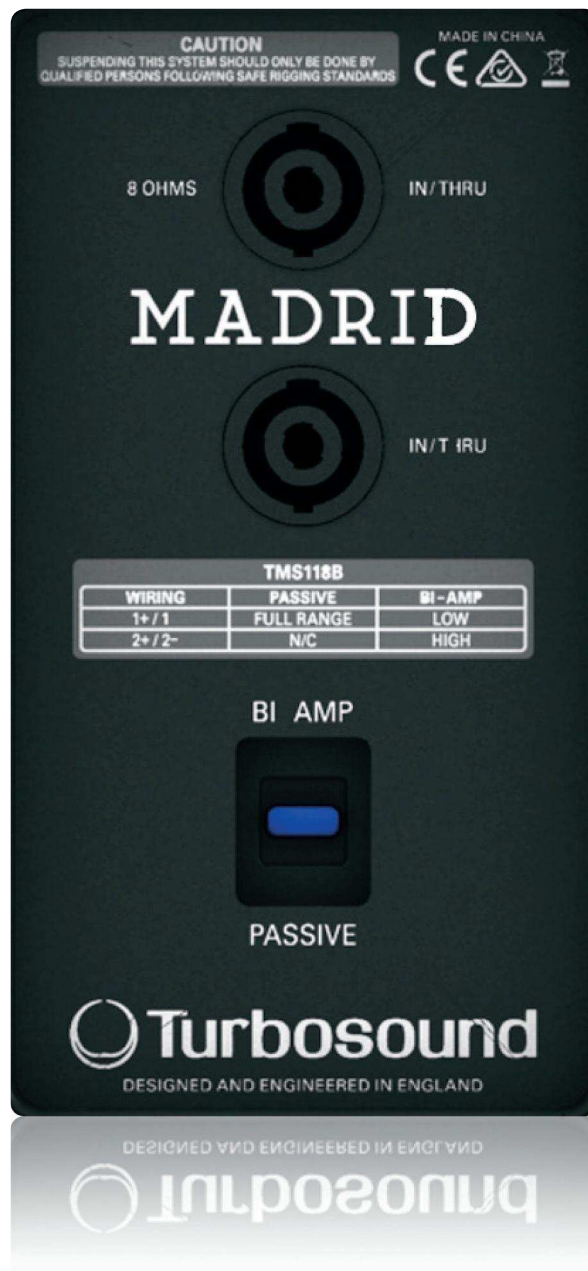
MADRID TMS118B

18" Front Loaded Subwoofer for Portable PA
and Installation Applications



MADRID TMS118B

18" Front Loaded Subwoofer for Portable PA
and Installation Applications



For service, support or more information contact the TURBOSOUND locator.

Europe
MUSIC Group Services UK
Tel: +44 156 273 2290
Email: CARE@music-group.com

USA/Canada
MUSIC Group Services NV Inc.
Tel: +1 702 800 8290
Email: CARE@music-group.com

Japan
MUSIC Group Services JP K.K.
Tel: +81 3 6231 0454
Email: CARE@music-group.com

MUSIC Group accepts no liability for any loss which may be suffered by any person who relies either wholly or in part upon any description, photograph, or statement contained herein. Technical specifications, appearances and other information are subject to change without notice. All trademarks are the property of their respective owners. MIDAS, KLARK TEKNIK, LAB GRUPPEN, LAKE, TANNOY, TURBOSOUND, TC ELECTRONIC, TC HELICON, BEHRINGER, BUGERA and DDA are trademarks or registered trademarks of MUSIC Group IP Ltd.
© MUSIC Group IP Ltd. 2016 All rights reserved.