

Touring Speakers

LIVERPOOL TLX212L

Compact Dual 12" Subwoofer for Portable and Fixed Installation Applications

- Compact bandpass loaded subwoofer for portable and fixed installation applications
- 800 Watts continuous, 3,200 Watts peak power
- Ideal for FOH applications and compact drum, DJ or side fill monitoring
- Dual high excursion 12" low frequency drivers with inside/outside wound voice coils for high power
- Integral rigging system for suspending or ground stacking with TLX43
- Low distortion bandpass port design
- 15 mm (5/8") plywood enclosure with hard wearing semi matt black paint finish
- Powder coated perforated steel mesh grille
- Neutrik speakON* NL4 connectors for reliable long life operation
- 3-Year Warranty Program*
- Designed and engineered in the U.K.



The TLX212L is a compact passive dual 12" 3,200 Watt bandpass subwoofer that is ideally suited for a broad range of speech and music sound reinforcement applications in both fixed, portable and touring audio systems. The TLX212L is designed to work in conjunction with LAKE DSP and LAB GRUPPEN amplification, providing optimal FOH performance, as well as considerable flexibility to readily adapt to varying venue requirements.



Custom-Engineered Drivers

TURBOSOUND is recognised the world over for designing and building some of the most iconic loudspeakers and subwoofers. We take meticulous care and pride in maintaining that reputation by utilising only drivers designed specifically for each application – it's what sets us apart from the competition.

The TLX212L features two high excursion 12" low frequency drivers that utilise proprietary inside/outside wound voice coils for higher magnetic density, better heat dissipation, high power handling capacity, and improved efficiency. For its size and operating bandwidth, the TLX212L delivers

extremely high and virtually distortion-free output for world-class low frequency performance that will stand the test of time.

*All third-party trademarks are the property of their respective owners. Their use neither constitutes a claim of the trademark nor affiliation of the trademark owners with MUSIC Group. Product names are mentioned solely as a reference for compatibility, effects and/or components. Warranty details can be found at music-group.com.

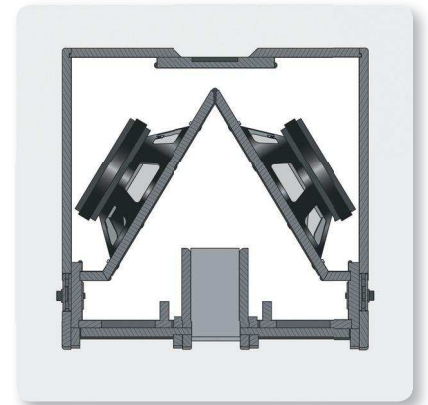
Touring Speakers

LIVERPOOL TLX212L

Compact Dual 12" Subwoofer for Portable and Fixed Installation Applications

Bandpass Enclosure Design

Bandpass enclosures are extremely efficient, creating maximum bass output within a specific frequency range by increasing the acoustic load presented to the driver. The low distortion bandpass design utilised in the TLX212L reinforces the bass musical instrument frequencies and steep cut-off slopes ensure an effective acoustic transition for use with TLX43 line array elements. For low-frequency bass extension, the recommended cabinet ratio consists of one TLX212L subwoofer per 3 TLX43 elements. For reverse cardioid subwoofer configurations, multiples of three TLX212L enclosures are recommended with two front-firing enclosures and one rear-firing enclosure.

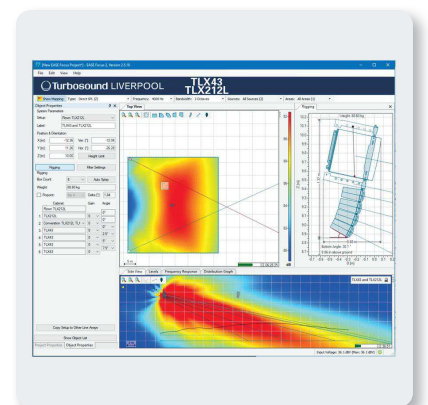


Construction and Connectivity

An integral suspension system engineered to meet BGV-C1 specifications is provided for suspending or ground stacking TLX212L and TLX43 elements with a 10:1 safety factor. Designed for speed and simplicity of use, custom-engineered flybars and wheel boards are available as separate accessories. Finished in hard wearing semi matt black paint, the cabinet is constructed from 15 mm (5/8") birch plywood and includes a rugged powder coated perforated steel mesh grille backed with reticulated foam. The rear panel connector plate carries Neutrik speakON* NL4 connectors for input and link connections to additional enclosures.

Acoustic Simulation Tools

EASE GLL files are provided for the EASE Focus Acoustics Simulation Software, which is available for free download. This allows accurate calculation of both acoustic coverage and selection of suspension pick point for tilting and aiming the array at the desired angle.



Touring Speakers

LIVERPOOL

TLX212L

Compact Dual 12" Subwoofer for Portable and Fixed Installation Applications



You Are Covered

We always strive to provide the best possible Customer Experience. Our products are made in our own **MUSIC Group** factory using state-of-the-art automation, enhanced production workflows and quality assurance labs with the most sophisticated test equipment available in the world. As a result, we have one of the lowest product failure rates in the industry, and we confidently back it up with a generous [3-Year Warranty program](#).

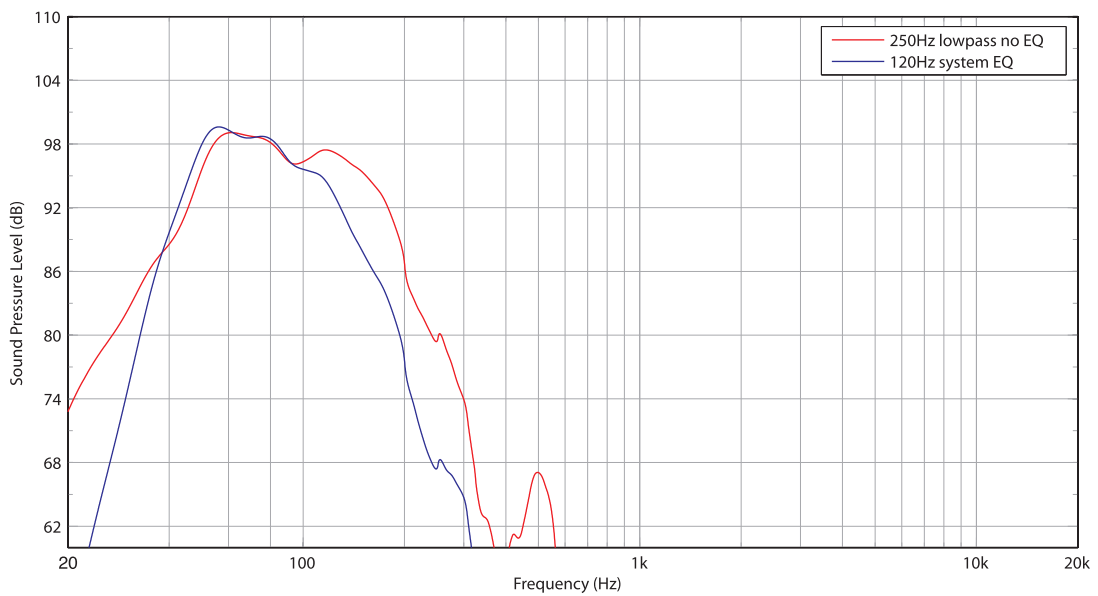
Touring Speakers

LIVERPOOL

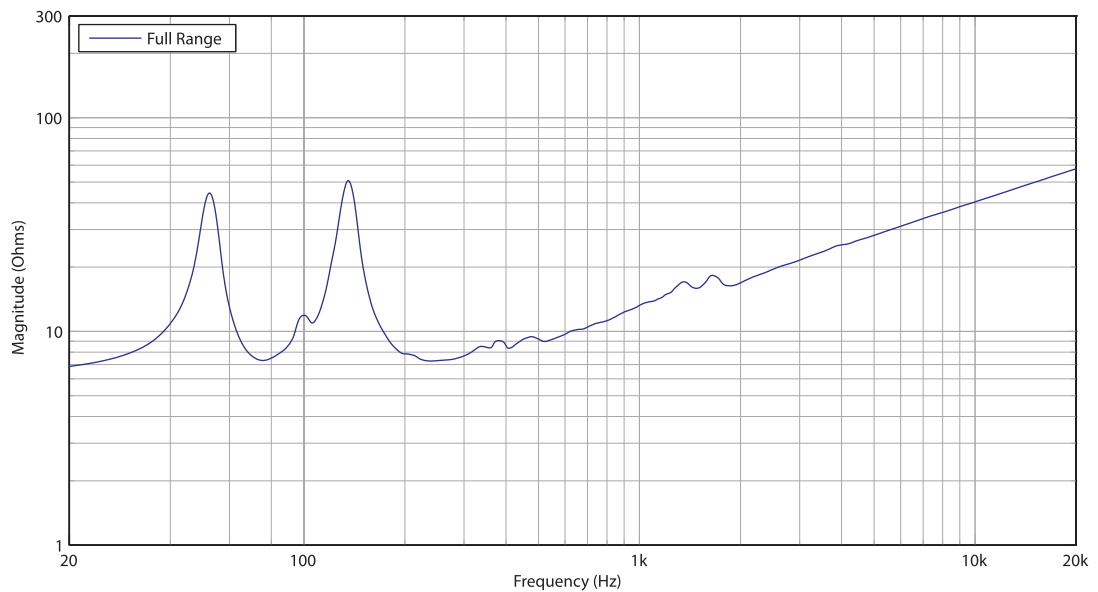
TLX212L

Compact Dual 12" Subwoofer for Portable and Fixed Installation Applications

Frequency Response Sensitivity 1 W / 1 m



Impedance

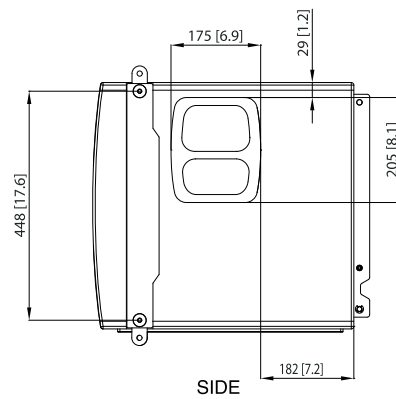
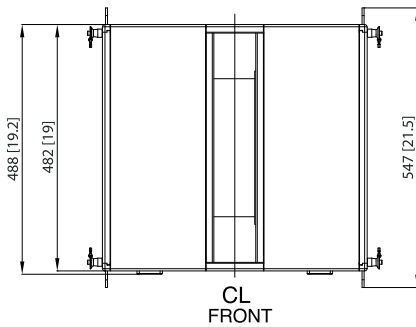
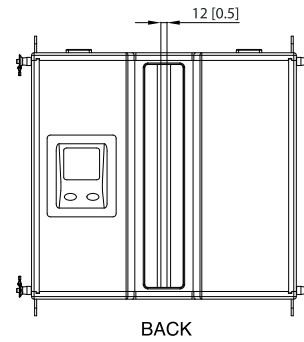
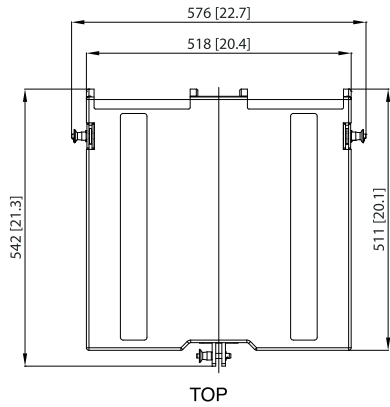


LIVERPOOL

TLX212L

Compact Dual 12" Subwoofer for Portable and Fixed Installation Applications

Dimensions



Touring Speakers

LIVERPOOL

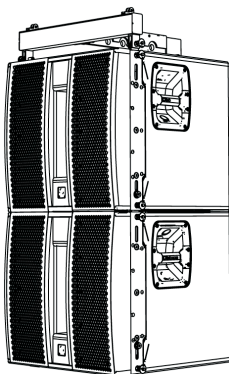
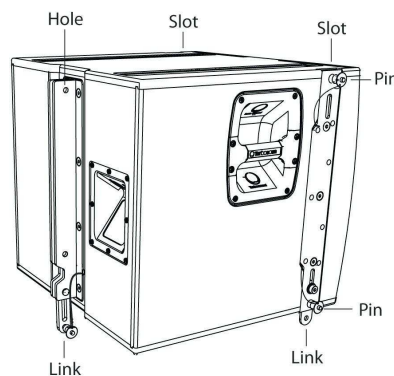
TLX212L

Compact Dual 12" Subwoofer for Portable and Fixed Installation Applications

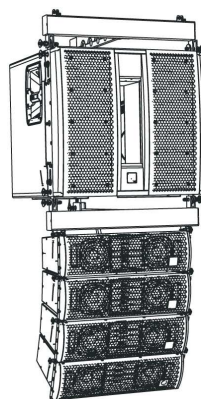
Mounting and Rigging

! Safety Warning: Only authorised and certified personnel shall design and install suspended or ground stacked configurations, following the instructions and procedures in the TLX43-FLB rigging manual supplied with the TLX43-FLB flybar, or downloaded from turbosound.com. Failure to follow these instructions may lead to death or permanent injury. For maximum array sizes, weights and working load limits, please consult the TLX43-FLB rigging manual.

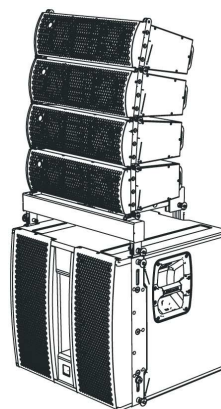
The TLX212L subwoofer has 2 retractable mounting links at the bottom, a mounting hole at the rear top, and a drop-down link at the rear bottom. The TLX43-FLB flybar is supplied with 2 links that fit into slots on top of the subwoofer. The various mounting points allow the TLX43-FLB flybar to be attached at the top or bottom of the subwoofer, and allow TLX212L subwoofers to be joined together. Rigging pins are provided to secure the subwoofer and TLX43-FLB flybar together.



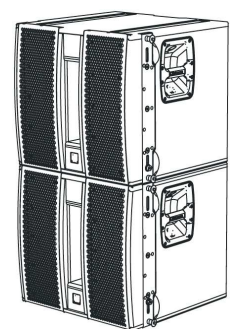
2 TLX212L subwoofers attached to a TLX43-FLB flybar



Mixed array with a TLX212L subwoofer, 4 TLX43 cabinets and 2 TLX43-FLB flybars



Mixed array ground stack with a TLX212L subwoofer, 4 TLX43 cabinets and a TLX43-FLB flybar



Ground stack with 2 TLX212L subwoofers

Touring Speakers

LIVERPOOL

TLX212L

Compact Dual 12" Subwoofer for Portable and Fixed Installation Applications

Technical Specifications

System

Frequency response	49 Hz - 173 Hz \pm 3 dB 38 Hz - 213 Hz -10 dB
Nominal dispersion	Half space
Power handling (IEC)	800 W continuous, 3,200 W peak
Sensitivity	98 dB (1 W @ 1 m)
Maximum SPL	127 dB continuous, 133 dB peak
Impedance	8 Ω
Components	2 x 12" (305 mm) LF driver

Enclosure

Connectors	2 x Neutrik speakON* NL4
Wiring	Pins 1+ / 1- input, pins 2+ / 2- link
Dimensions H x W x D	488 x 576 x 542 mm (19.2 x 22.7 x 21.3")
Net Weight	43.0 kg (94.8 lbs)
Construction	15 mm ($\frac{5}{8}$ ") plywood
Finish	Semi matt black paint
Grille	Powder coated perforated steel
Suspension Hardware	Integral

Accessories

TLX212L-WHB wheel board

TLX43-FLB fly bar

Touring Speakers

LIVERPOOL

TLX212L

Compact Dual 12" Subwoofer for Portable and Fixed Installation Applications

Architecture & Engineering Specifications

The loudspeaker shall be of the passive subwoofer type consisting of two 12" (305 mm) LF drivers. Performance specifications of a typical production unit shall meet or exceed the following: frequency response, measured with swept sine wave input, shall be flat within ± 3 dB from 49 Hz to 173 Hz and within -10 dB from 38 Hz to 213 Hz. Nominal impedance shall be 8 Ohms. Power handling shall be 800 Watts continuous, 3,200 Watts peak. Sensitivity, measured on axis, mean averaged over the stated bandwidth, shall be 98 dB, 1 Watt @ 1 metre. Maximum SPL (peak), measured at 1 metre with music program at stated amplifier input, shall be 133 dB. Dimensions: 488 mm high x 576 mm wide x 542 mm deep (19.2" x 22.7" x 21.3"). Net weight: 43.0 kg (94.8 lbs). The loudspeaker system shall be the [TURBOSOUND TLX212L](#). No other loudspeaker shall be acceptable unless submitted data from an independent test laboratory verifies that the above combined performance / size specifications are equaled or exceeded.

Touring Speakers

LIVERPOOL

TLX212L

Compact Dual 12" Subwoofer for Portable and Fixed Installation Applications



LIVERPOOL TLX212L

Compact Dual 12" Subwoofer for Portable and
Fixed Installation Applications



Touring Speakers

LIVERPOOL TLX212L

Compact Dual 12" Subwoofer for Portable and
Fixed Installation Applications



For service, support or more information contact the TURBOSOUND location nearest you:

Europe
MUSIC Group Services UK
Tel: +44 1562 547 100
Email: CARE@music-group.com

USA/Canada
MUSIC Group Services NV Inc.
Tel: +1 702 963 1300
Email: CARE@music-group.com

Japan
MUSIC Group Services JP K.K.
Tel: +81 3 5833 9121
Email: CARE@music-group.com

MUSIC Group accepts no liability for any loss which may be suffered by any person who relies either wholly or in part upon any description, photograph, or statement contained herein. Technical specifications, appearances and other information are subject to change without notice. All trademarks are the property of their respective owners. MIDAS, KLARK TEKNIK, LAB GRUPPEN, LAKE, TANNÖY, TURBOSOUND, TC ELECTRONIC, TC HELICON, BEHRINGER, BUGERA and DDA are trademarks or registered trademarks of MUSIC Group IP Ltd.
© MUSIC Group IP Ltd. 2017 All rights reserved.