

Install Speakers

# ATHENS

## TCS122/94

Arrayable 2 Way  
12" Full Range Loudspeaker with  
Dendritic Waveguide for  
Installation Applications,  
90° H x 40° V Dispersion

- Arrayable 2 way full range loudspeaker for installation applications
- Rotatable Dendritic waveguide with 90° H x 40° V dispersion
- 600 Watts continuous, 2,400 Watts peak power
- Glass fibre loaded 12" low frequency driver with aluminium voice coil for improved transient response
- Titanium dome 1.4" neodymium motor compression driver
- Multiple array configurations for extended coverage
- Switchable passive/bi-amp operation for flexibility of use
- Trapezoidal cabinet shape enables visually unobtrusive loudspeaker arrays
- Multiple internal rigging points allow bracket mount and suspension in any orientation
- 15 mm (5/8") birch plywood enclosure with hard wearing semi matt black paint finish
- Architecturally styled powder coated perforated steel mesh grille
- Neutrik speakON\* NL4 and barrier strip connectors
- 3-Year Warranty Program\*
- Designed and engineered in England



The 2 way full range TCS122/94 is a switchable passive/bi-amp 12" 2,400 Watt arrayable loudspeaker system that is ideally suited for a wide range of speech and music sound reinforcement applications. The TCS122/94 is designed to work in conjunction with **TURBOSOUND** loudspeaker management systems, providing optimal FOH performance, as well as offering considerable flexibility to readily adapt to varying venue requirements.



The TCS122/94 arrayable loudspeaker features a glass fibre loaded 12" low frequency driver with inside/outside wound coil with low mass voice coil for improved transient response, and a titanium dome 1.4" neodymium motor compression driver mounted on a 90° horizontal by 40° vertical Dendritic waveguide. All drivers are matched with an internal passive crossover network in a reflex-loaded enclosure, and bi-amp mode can be enabled by means of a rear panel switch. The rear panel connector plate carries Neutrik speakON\* NL4 and barrier strip connectors for input and link connections to additional enclosures.

Install Speakers

# ATHENS TCS122/94

Arrayable 2 Way  
12" Full Range Loudspeaker with  
Dendritic Waveguide for  
Installation Applications,  
90° H x 40° V Dispersion

**TURBOSOUND**'s proprietary HF Dendritic waveguide features multiple hornlets with identical path lengths, which are designed to provide a flat constant-phase wavefront with a 90° horizontal by 40° vertical dispersion pattern. When the waveguide is rotated 90° from the standard position, a 40° horizontal by 90° vertical dispersion is achieved, making the TCS122/94 ideal for an even broader range of applications.

Finished in a highly durable semi matt black paint, the cabinet is constructed from 15 mm (5/8") birch plywood – and includes a rugged powder coated perforated steel mesh grille backed with reticulated foam. Internal M10 threaded rigging points are provided for suspension in any orientation, or mounting with dedicated brackets – available separately. A dedicated range of fly plates and coupler kits are also available separately for constructing tightly packed custom full-range and subwoofer enclosure arrays for aesthetically pleasing and venue specific coverage requirements.

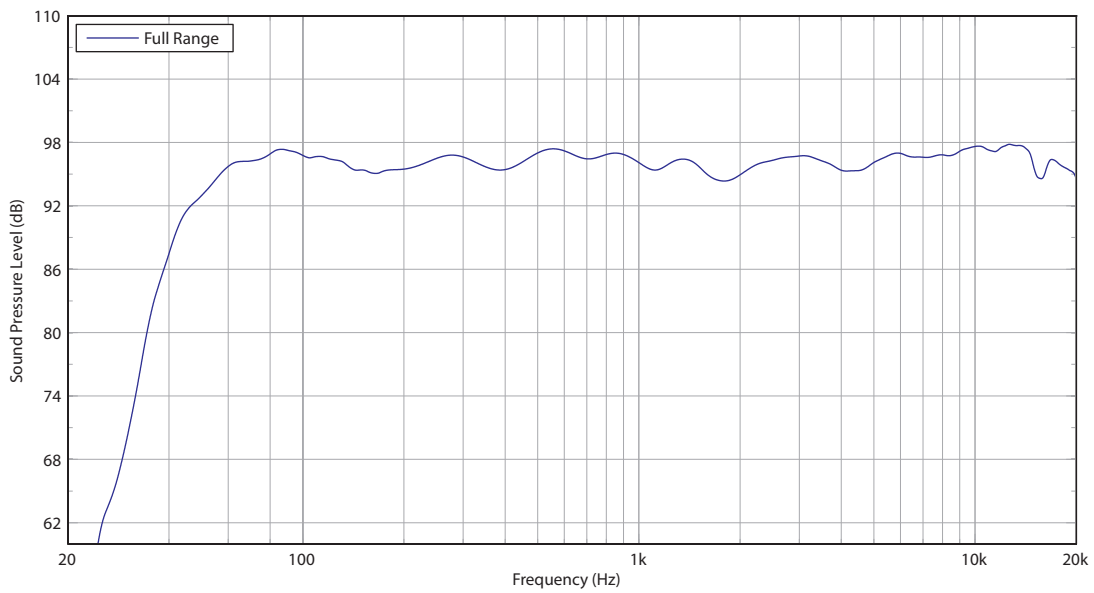
Install Speakers

# ATHENS

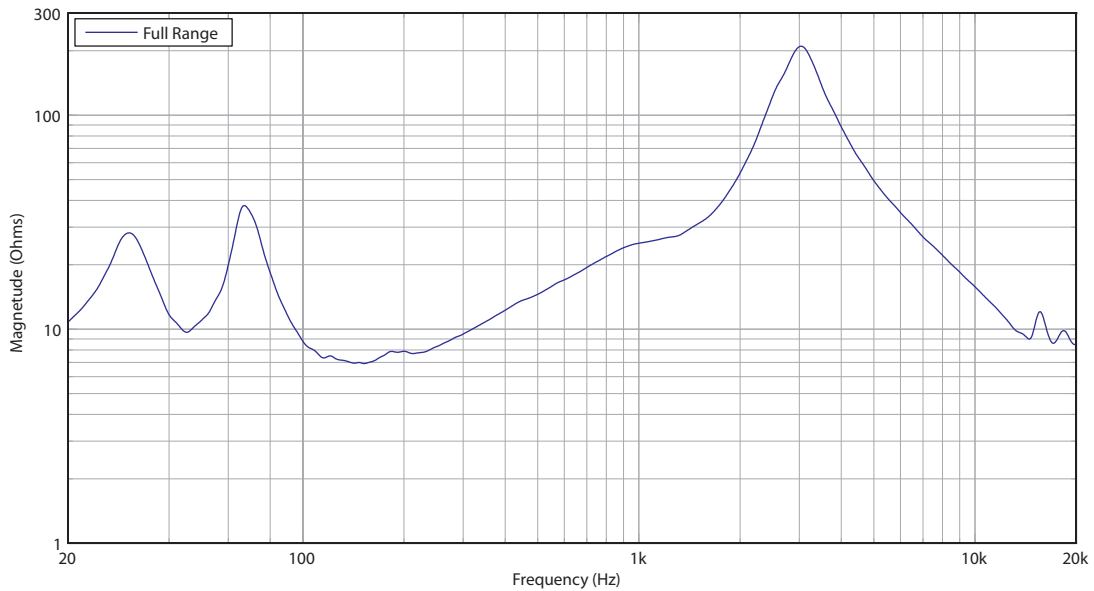
## TCS122/94

Arrayable 2 Way  
12" Full Range Loudspeaker with  
Dendritic Waveguide for  
Installation Applications,  
90° H x 40° V Dispersion

### Frequency Response Sensitivity 1 W / 1 m



### Impedance

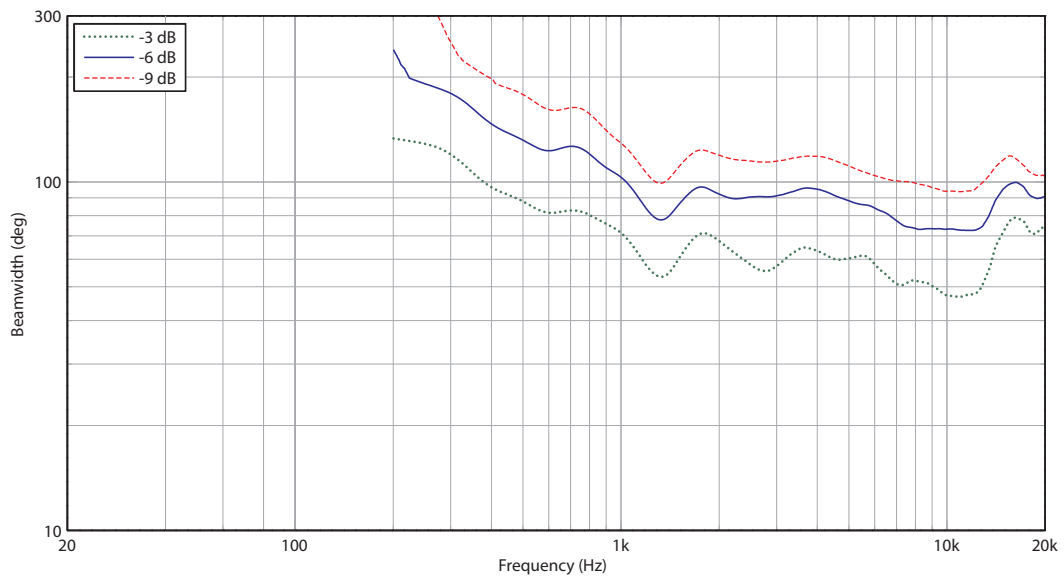


## Install Speakers

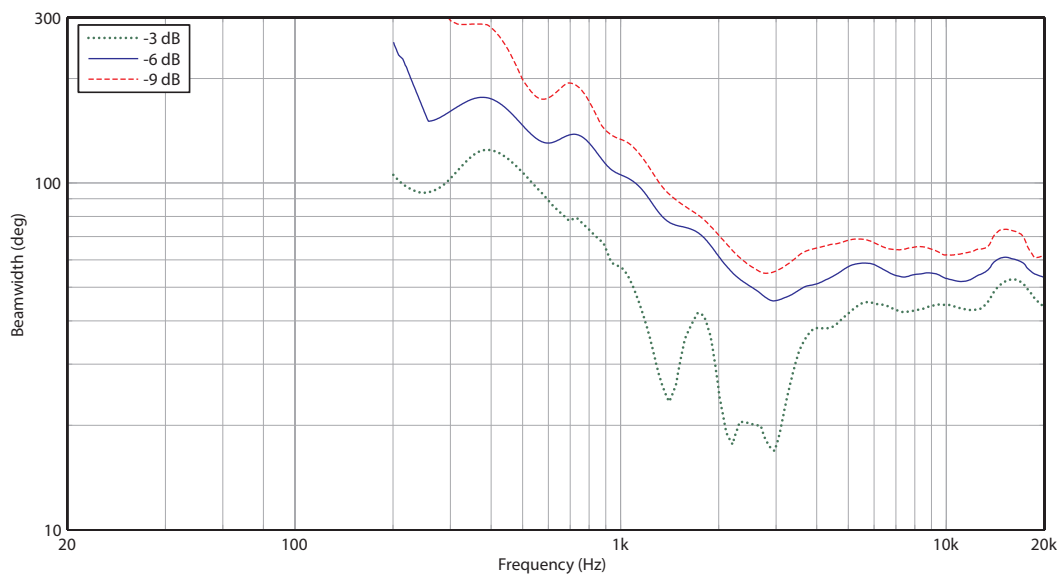
# ATHENS TCS122/94

Arrayable 2 Way  
12" Full Range Loudspeaker with  
Dendritic Waveguide for  
Installation Applications,  
90° H x 40° V Dispersion

### Horizontal Beamwidth



### Vertical Beamwidth

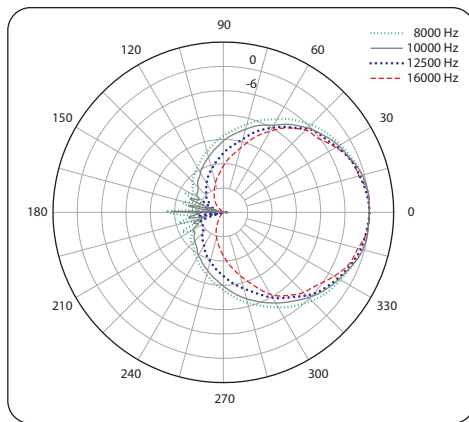
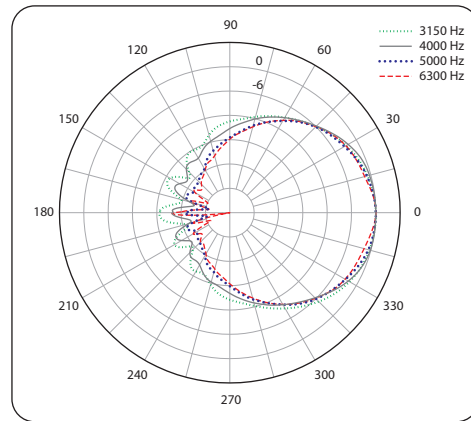
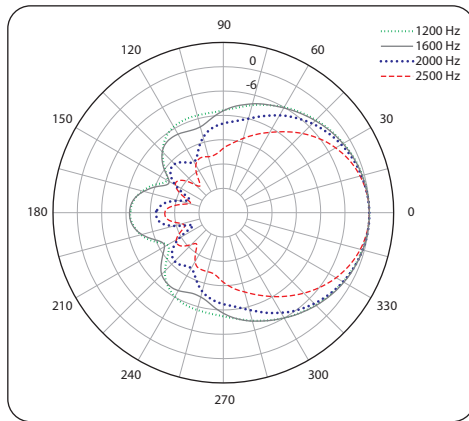
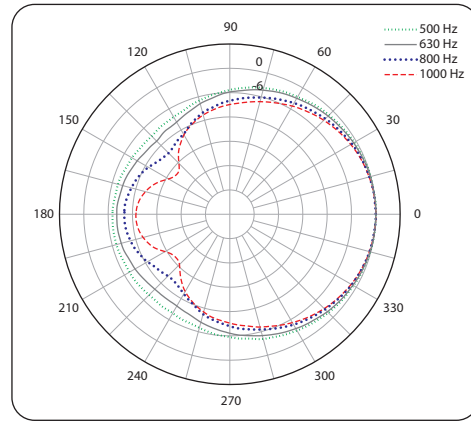
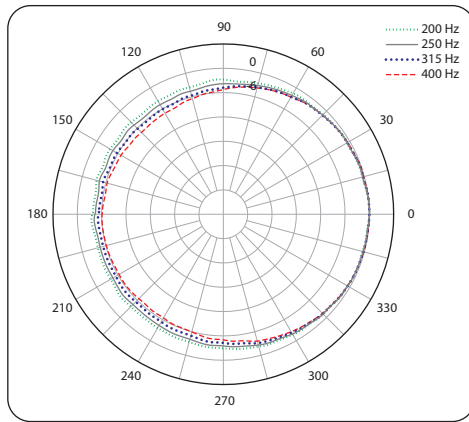


## Install Speakers

# ATHENS TCS122/94

Arrayable 2 Way  
12" Full Range Loudspeaker with  
Dendritic Waveguide for  
Installation Applications,  
90° H x 40° V Dispersion

## Horizontal Polar Plots

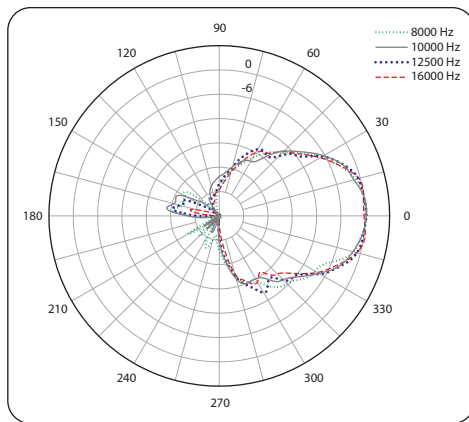
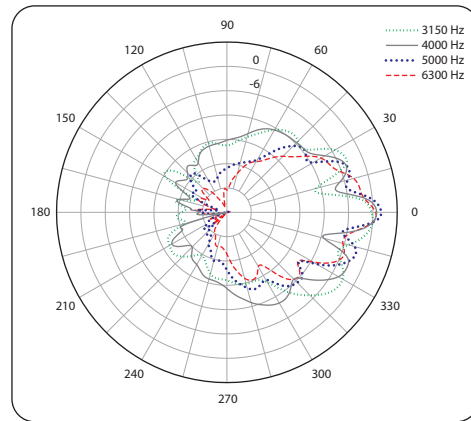
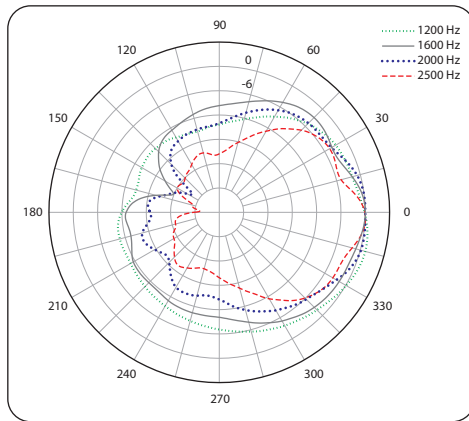
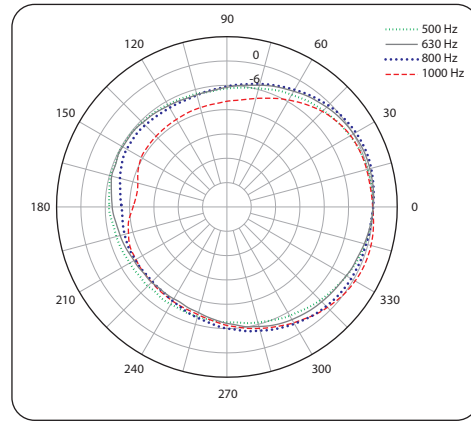
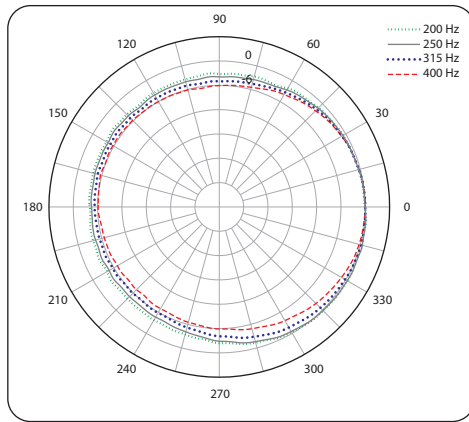


## Install Speakers

# ATHENS TCS122/94

Arrayable 2 Way  
12" Full Range Loudspeaker with  
Dendritic Waveguide for  
Installation Applications,  
90° H x 40° V Dispersion

## Vertical Polar Plots



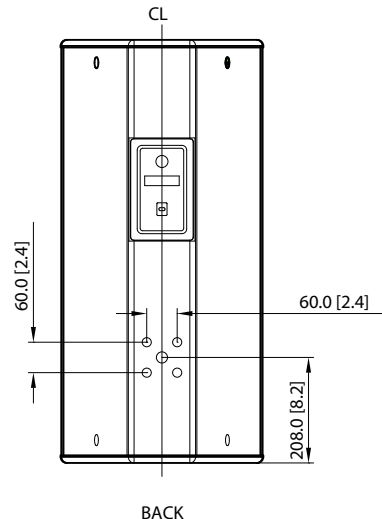
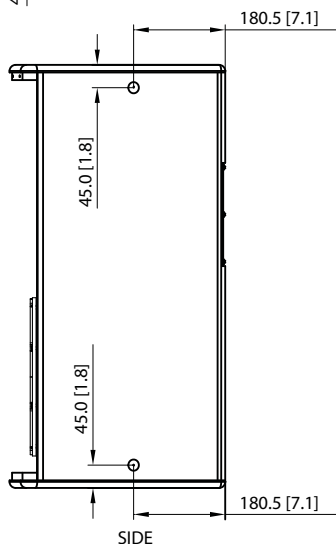
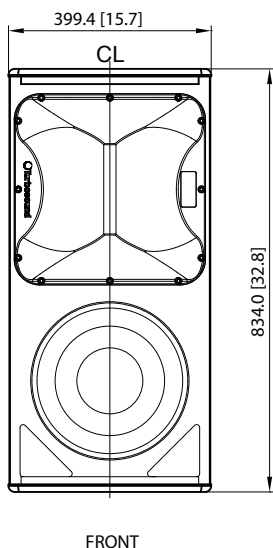
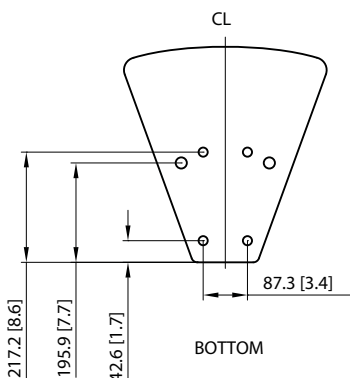
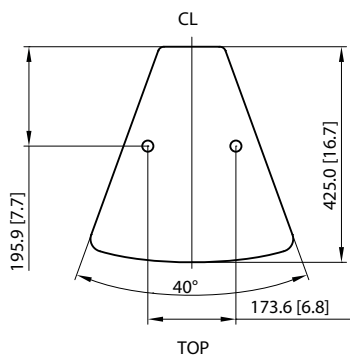
Install Speakers

# ATHENS

## TCS122/94

Arrayable 2 Way  
 12" Full Range Loudspeaker with  
 Dendritic Waveguide for  
 Installation Applications,  
 90° H x 40° V Dispersion

### Dimensions



Install Speakers

# ATHENS TCS122/94

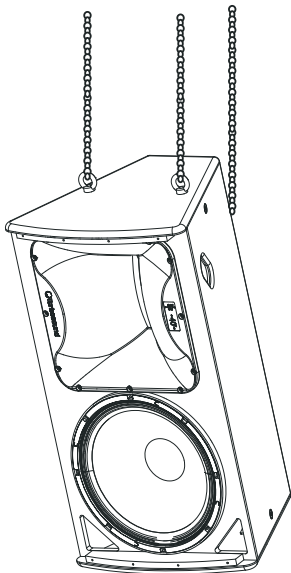
Arrayable 2 Way  
12" Full Range Loudspeaker with  
Dendritic Waveguide for  
Installation Applications,  
90° H x 40° V Dispersion

## Mounting and Rigging

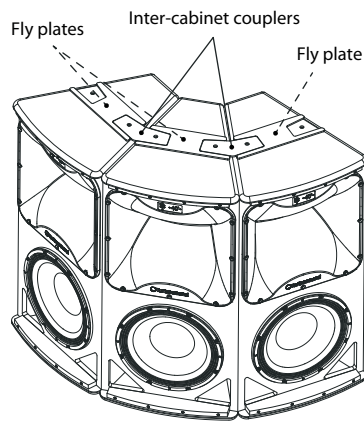
The cabinet is fitted with M8 x 8 and M10 x 9 internally-threaded rigging points that allow it to be rigged with optional shoulder eyebolts and mounted in many different configurations in permanent installations. The simplest method of rigging is to use the two M10 rigging points on the top, and a single pull-back rigging point in the centre of the rear panel. Adjustment of the length of the rear cable allows the cabinet to be angled for optimum room coverage.

Cabinets may also be hung upside down if required. The cabinet is compatible with industry standard wall and ceiling brackets which use 60 mm x 60 mm hole spacing.

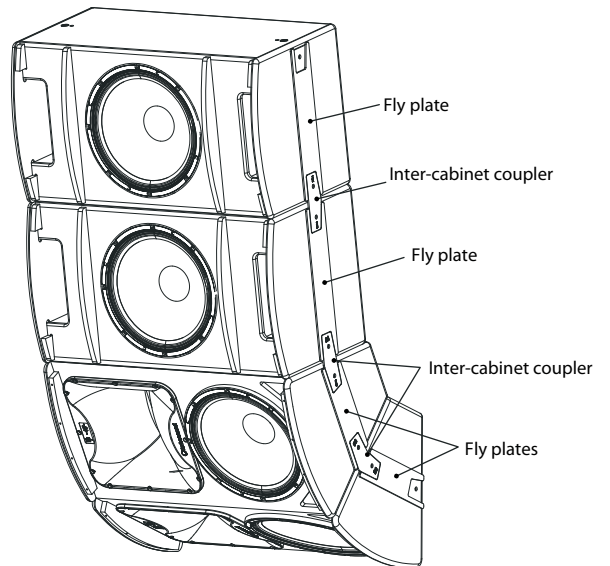
An array of two or more cabinets can be configured using optional **TURBOSOUND** flyplates and inter-cabinet couplers. These are fixed to the cabinet sides through the M10 rigging points, and assembled together in a 'daisy chain' fashion to build up the required array. The horns of each cabinet may be rotated through 90 degrees to optimise the coverage.



Suspension using M10 shoulder eyebolts on top and one at the rear.



Horizontal clusters using fly plates and inter-cabinet couplers on top and bottom.



Vertical array using fly plates and inter-cabinet couplers on left and right.



## Install Speakers

# ATHENS

## TCS122/94

Arrayable 2 Way  
12" Full Range Loudspeaker with  
Dendritic Waveguide for  
Installation Applications,  
90° H x 40° V Dispersion

## Technical Specifications

### System

<b>Frequency Response</b>	50 Hz - 18 kHz $\pm$ 3 dB 45 Hz - 20 kHz -10 dB
<b>Nominal Dispersion</b>	90° H x 60° V @ -6 dB points, rotatable
<b>Directivity Factor (Q)</b>	8.7
<b>Directivity Index (DI)</b>	9.4
<b>Power Handling (IEC)</b>	
Passive	600 W continuous, 2400 W peak
Bi-amp	LF: 600 W continuous, 2400 W peak HF: 75 W continuous, 300 W peak
<b>Sensitivity</b>	96 dB (1 W @ 1 m)
<b>Maximum SPL</b>	
Passive	124 dB continuous, 130 dB peak
Bi-Amp	LF: 124 dB continuous, 130 dB peak HF: 128 dB continuous, 134 dB peak
<b>Impedance</b>	
Passive	8 $\Omega$
Bi-Amp	LF: 8 $\Omega$ HF: 6 $\Omega$
<b>Crossover Type</b>	Passive / bi-amp, switchable
<b>Components</b>	1 x 12" (312 mm) LF driver 1 x 1.4" (36 mm) HF compression driver

### Enclosure

<b>Connectors</b>	1 x Neutrik speakON* NL4, 1 x barrier strip terminals
<b>Wiring</b>	
Passive	Pins 1+ / 1- input, pins 2+ / 2- link
Bi-Amp	Pins 1+ / 1- LF, pins 2+ / 2- HF
<b>Dimensions HWD</b>	834 x 399 x 425 mm (32.8 x 15.7 x 16.7")
<b>Net Weight</b>	26.5 kg (58.4 lbs)
<b>Construction</b>	15 mm (5/8") birch plywood
<b>Finish</b>	Semi matt black paint
<b>Grille</b>	Powder coated perforated steel
<b>Flying Hardware</b>	M10 x 9, M8 X 8 points

### Accessories

TCS122-FP (WH) fly plate kit for TCS122
TCS-FK1 (WH) inter-cabinet coupler kit for TCS122 or TCS152
TCS-FK2 (WH) inter-cabinet coupler kit for TCS115B with TCS122 or TCS152

## Install Speakers

# ATHENS TCS122/94

Arrayable 2 Way  
12" Full Range Loudspeaker with  
Dendritic Waveguide for  
Installation Applications,  
90° H x 40° V Dispersion

## Architecture & Engineering Specifications

The speaker shall be of the full range, two-way switchable bi-amp/passive type consisting of one 12" (312 mm) LF driver and one 1.4" (36 mm) HF compression driver. Performance specifications of a typical production unit shall meet or exceed the following: frequency response, measured with swept sine wave input, shall be flat within  $\pm 3$  dB from 50 Hz to 18 kHz and within -10 dB from 45 Hz to 20 kHz. Nominal dispersion, at -6 dB points, shall average 90° H x 40° V, rotatable. Nominal impedance shall be HF: 6 Ohms, LF: 8 Ohms; passive: 8 Ohms. Power handling shall be HF: 75 Watts continuous, 300 Watts peak, LF: 600 Watts continuous, 2,400 Watts peak; passive: 600 Watts continuous, 2,400 Watts peak. Sensitivity, measured on axis, mean averaged over stated bandwidth, shall be 96 dB, 1 Watt @ 1 metre. Maximum SPL (peak), measured at 1 metre with music program at stated amplifier input, shall be HF: 134 dB, LF: 130 dB; passive: 130 dB. Dimensions: 834 mm high x 399 mm wide x 425 mm deep (32.8" x 15.7" x 16.7"). Net weight: 26.5 kg (58.4 lbs). The loudspeaker system shall be the [TURBOSOUND TCS122/94](#). No other loudspeaker shall be acceptable unless submitted data from an independent test laboratory verifies that the above combined performance / size specifications are equaled or exceeded.



### You Are Covered

We always strive to provide the best possible Customer Experience. Our products are made in our own [MUSIC Group](#) factory using state-of-the-art automation, enhanced production workflows and quality assurance labs with the most sophisticated test equipment available in the world.

As a result, we have one of the lowest product failure rates in the industry, and we confidently back it up with a generous [3-Year Warranty program](#).

Install Speakers

# ATHENS TCS122/94

Arrayable 2 Way  
12" Full Range Loudspeaker with  
Dendritic Waveguide for  
Installation Applications,  
90° H x 40° V Dispersion

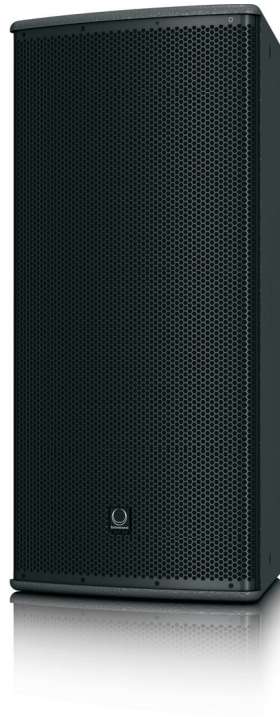


Install Speakers

# ATHENS

## TCS122/94

Arrayable 2 Way  
12" Full Range Loudspeaker with  
Dendritic Waveguide for  
Installation Applications,  
90° H x 40° V Dispersion



Install Speakers

# ATHENS TCS122/94

Arrayable 2 Way  
12" Full Range Loudspeaker with  
Dendritic Waveguide for  
Installation Applications,  
90° H x 40° V Dispersion



For service, support or more information contact the TURBOSOUND location nearest you:

**Europe**  
**MUSIC Group Services UK**  
 Tel: +44 156 273 2290  
 Email: CARE@music-group.com

**USA/Canada**  
**MUSIC Group Services NV Inc.**  
 Tel: +1 702 800 8290  
 Email: CARE@music-group.com

**Japan**  
**MUSIC Group Services JP K.K.**  
 Tel: +81 3 6231 0454  
 Email: CARE@music-group.com

MUSIC Group accepts no liability for any loss which may be suffered by any person who relies either wholly or in part upon any description, photograph, or statement contained herein. Technical specifications, appearances and other information are subject to change without notice. All trademarks are the property of their respective owners. MIDAS, KLARK TEKNIK, LAB GRUPPEN, LAKE, TANNÖY, TURBOSOUND, TC ELECTRONIC, TC HELICON, BEHRINGER, BUGERA and DDA are trademarks or registered trademarks of MUSIC Group IP Ltd.  
 © MUSIC Group IP Ltd. 2016 All rights reserved.