



TOA DIGITAL WIRELESS TRANSMITTER

WM-D5300
(-C4/-C7/-G1/-H1)

DESCRIPTION

The WM-D5300 Digital wireless transmitter has been manufactured for use with a UHF system. It is for use in speech reinforcement applications. This wireless transmitter employs a digital transmission system that is effectively immune to interference. Further, not only does TOA's unique information concealment technology (Encryption Setting function) ensure high confidentiality and security against eavesdropping, but their code setting and transmission output selection functions ensure that this transmitter is also compatible with a wide range of operating conditions, such as use of the same transmission channel between adjacent areas.

SPECIFICATIONS

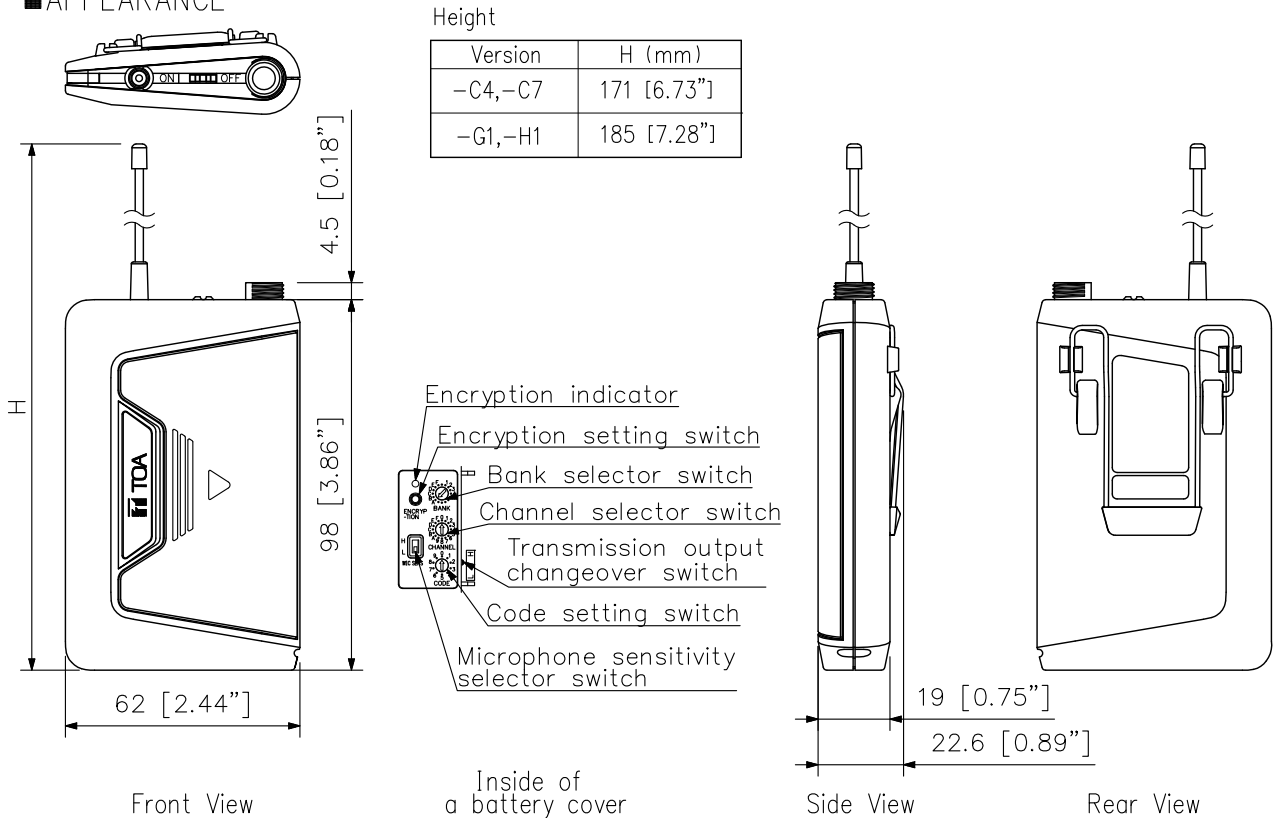
Version	-C4,-C7	-G1	-H1
Frequency Range	794 - 832 MHz	606 - 636 MHz	576 - 606 MHz
Modulation type	FSK		
Channel Selectable	160 channels (The number of channels may differ from country to country.)		
RF Carrier Power	Less than 50 mW		
Maximum Input Level	-18 dB (*1) (Sensitivity: L)/-28 dB (*1) (Sensitivity: H)		
Audio Frequency Response	100 Hz - 12 kHz		
Antenna	Lambda/4 whip antenna		
ID Selectable	10 patterns		
Battery	WB-2000 (*2) rechargeable battery (option) or AA Alkaline dry cell battery		
Battery Life	Approx. 8 hours		
Operating Temperature	-10 °C to +50 °C (14 °F to 122 °F) (except battery)		
Operating Humidity	30 % to 85 %RH (no condensation)		
Finish	Body: ABS resin, black, paint		
Dimensions	62 (W) × 171 (H) × 19 (D) mm (2.44" × 6.73" × 0.75")	62 (W) × 185 (H) × 19 (D) mm (2.44" × 7.28" × 0.75")	
Weight	90 g (0.2 lb) (with battery)		
Accessory	Storage case ...1, Screw driver (for setting) ...1		
Option	Battery charger: BC-2000 (*2) Ni-MH battery: WB-2000-2 (*2) (containing 2 pieces) Unidirectional lavalier microphone: YP-M5300 Omnidirectional lavalier microphone: YP-M5310 Headset microphone: WH-4000A, WH-4000H		

(*1) 0 dB = 1 V

(*2) Cannot be used in the U.S.A. and Canada.

Notes: The WM-D5300 cannot communicate with the TRANTEC Wireless System (S4 and S5 Series).
The WM-D5300 cannot communicate with the TOA Analog Wireless System (WT-5800, WT-5805, and WT-5810 etc.).

APPEARANCE



UNIT:mm SCALE:1/2