

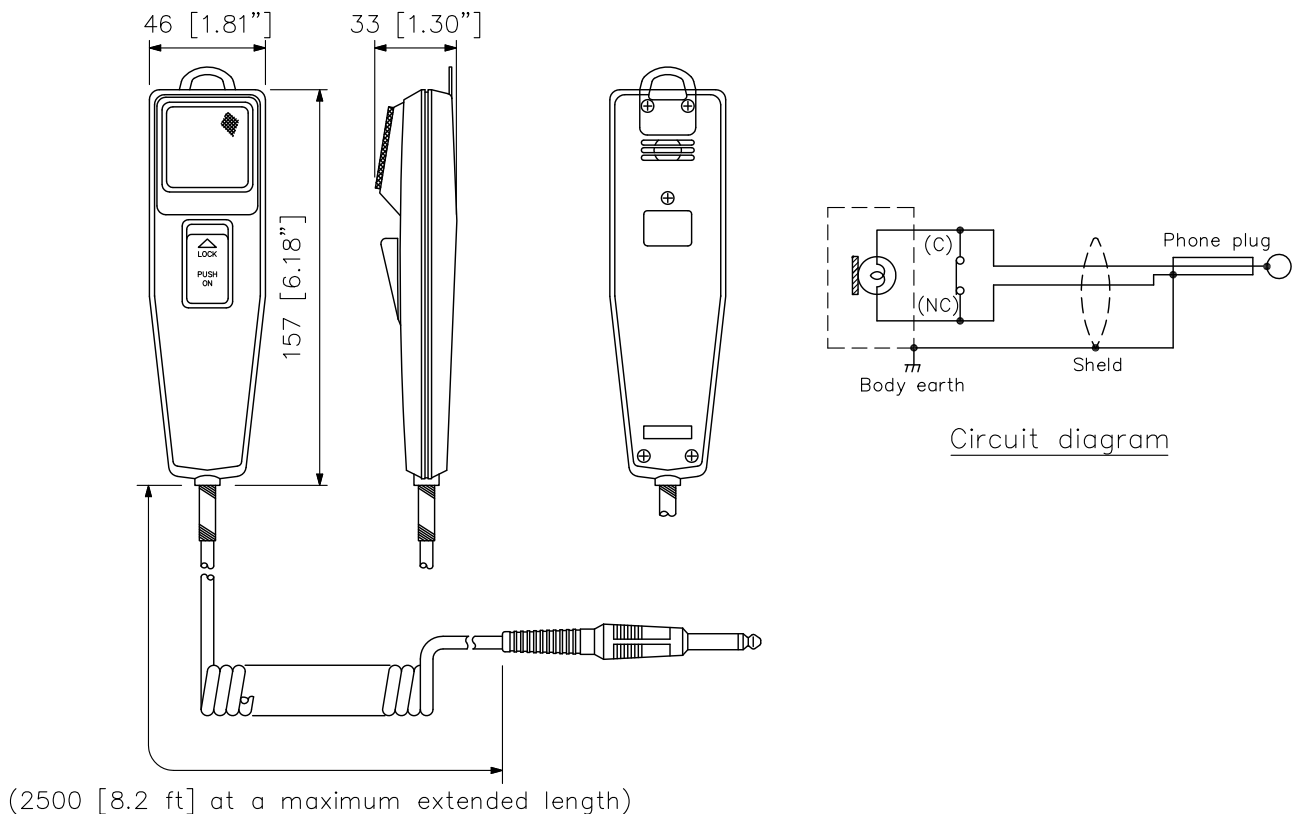
DESCRIPTION

The PM-240 is a dynamic and close talking microphone designed solely for paging applications.

SPECIFICATIONS

Type	Dynamic
Directivity	Unidirectional
Frequency Response	60 Hz - 18 kHz
Output Level at 1 kHz	-77 dB (0 dB=1 V/1 μ bar) -57 dB (0 dB=1 V/Pa)
Nominal Impedance	250 Ω , unbalanced
Cable	coiled cable $\phi 6 \times 2.5$ m (8.2 ft) (at a maximum extended length)
Talk Switch	Push-to-talk switch
Operating Temperature	-10 °C to +50 °C (14 °F to 122 °F)
Operating Humidity	95 %RH or less (no condensation)
Finish	ABS Resin, Embossed Front : Champagne gold, Rear : Black
Weight	230 g (0.51 lb)
Optional	Extension cable (MC-105), Microphone hanger (2202)

※ The microphone can be modified to the balanced type by changing a plug.

APPEARANCE


UNIT: mm SCALE: 1/3