

DESCRIPTION

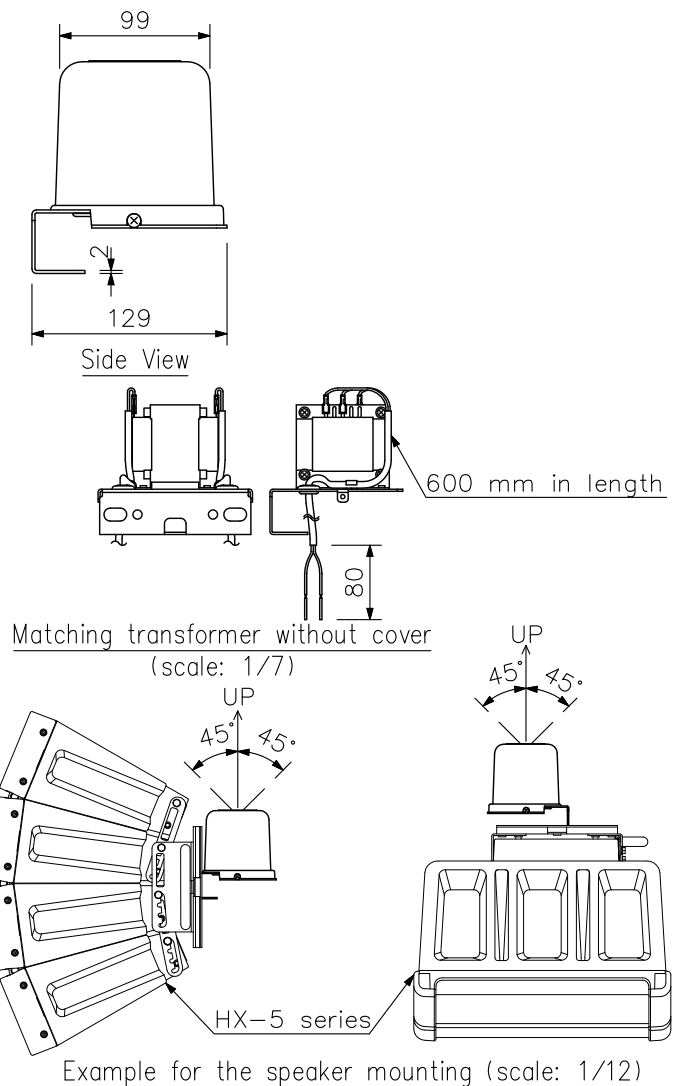
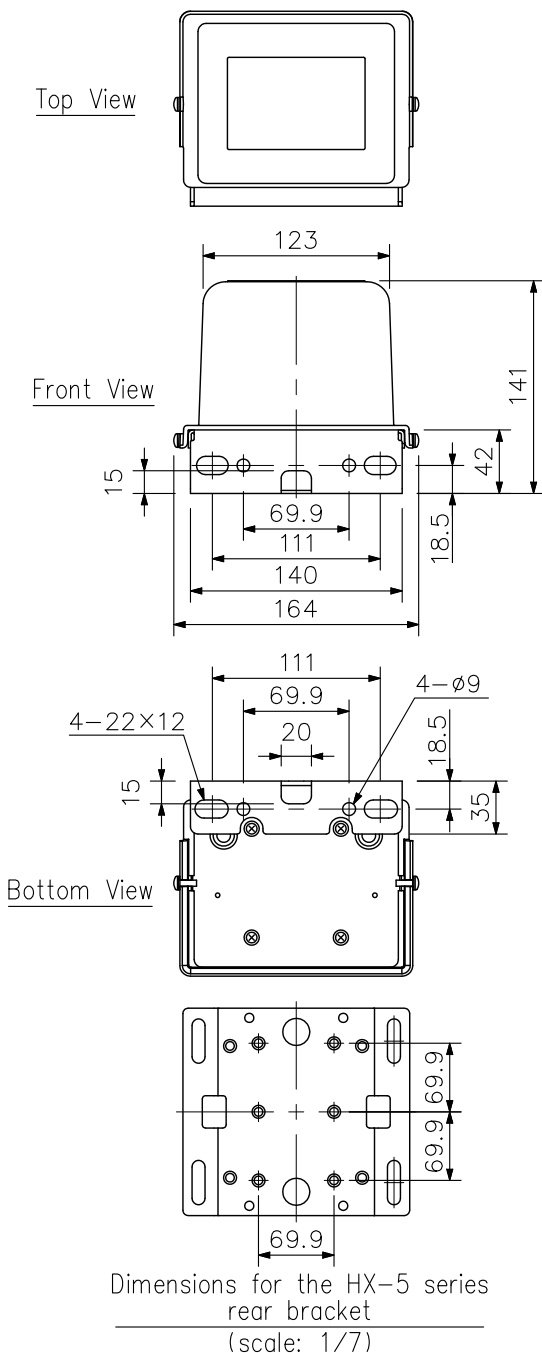
The MT-200 is a matching transformer for the HX-5 series and HX-7 series speaker systems, and can be used both indoors and outdoors.

SPECIFICATIONS

Rated Input	200 W
Primary Impedance	100 V line: 50 Ω (200 W), 83 Ω (120 W), 167 Ω (60 W) 70 V line: 25 Ω (200 W), 50 Ω (100 W), 83 Ω (60 W), 167 Ω (30 W)
Secondary Impedance	8 Ω
Water Protection	IPX4 (the tilt angle must be within 45°) *
Finish	Cover: Polypropylene Mounting bracket: Stainless steel (SUS304)
Dimensions	164 (W) × 141 (H) × 129 (D) mm
Weight	2.8 kg
Accessory	Speaker mounting bolt (M8) with washer ×2

APPEARANCE

- * When the matching transformer is installed on the HX-5 series rear mounting plate, the optional HY-WM1 series and HY-CW1 series Speaker Mounting Brackets, and HY-ST1 Speaker Stand Adapter cannot be used.
- * When mounting the matching transformer to the HX-7 series, an optional HY-MT7 Matching Transformer Adapter is required.



* When installed outdoors, mount the MT-200 in either way that the tilt angle of its top surface is kept within 45° from the vertical axis. Exceeding this angle will deteriorate the speaker's water-resistant capability.

UNIT:mm SCALE:1/5