

DESCRIPTION

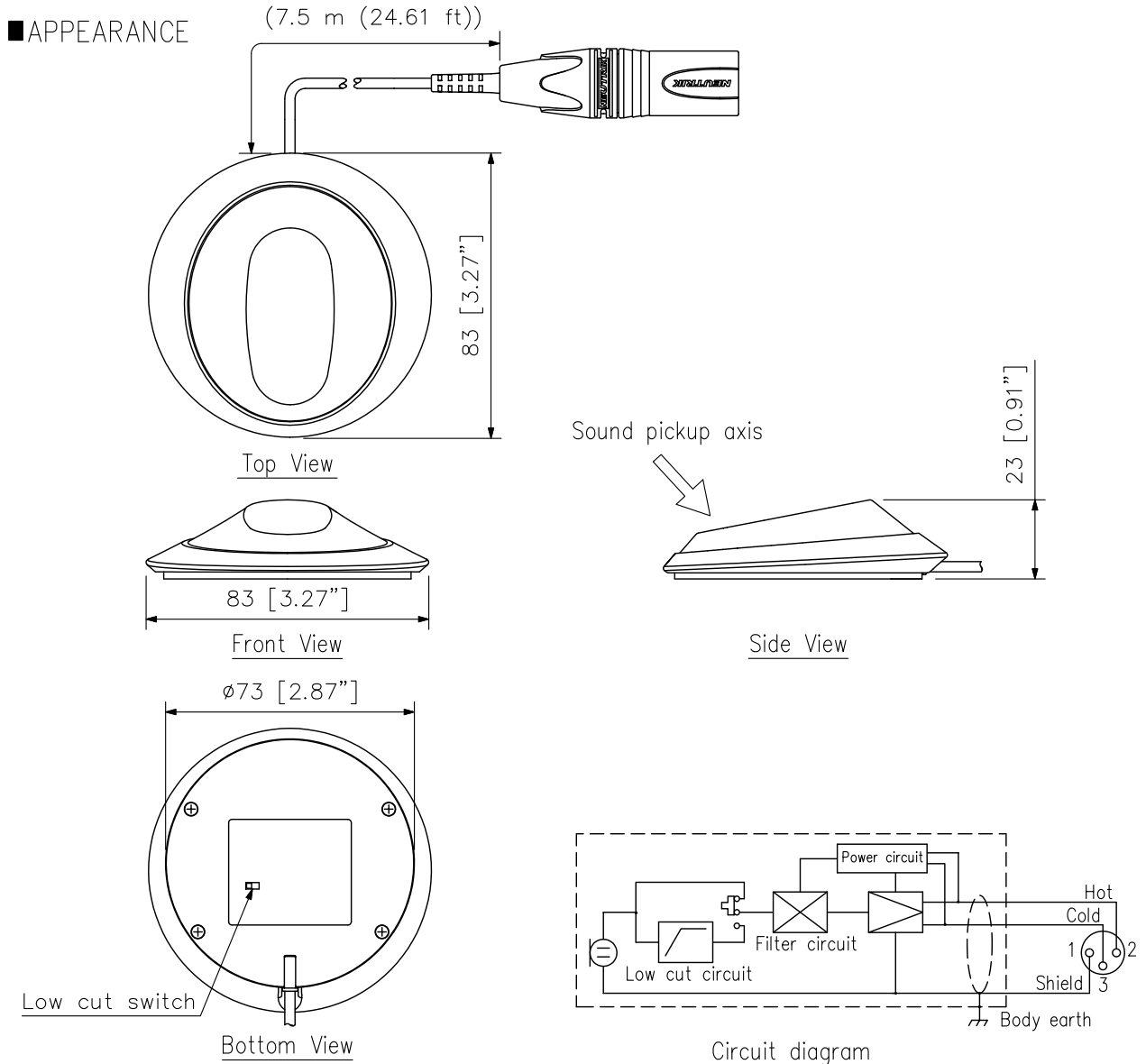
The EM-700 is a low-profile, high-quality, cardioid condenser microphone suitable for installation on a lecture desk or table top in a conference room. It features optimum acoustic characteristics for sound pick-up applications when placed on a flat surface, realizing pure, natural sound quality.

SPECIFICATIONS

Element	Electret condenser
Polar Pattern	Cardioid
Rated Impedance	120 Ω, balanced
Rated Sensitivity	-33 dB (1 kHz 0 dB=1 V/Pa)
Phantom Power	9 - 52 V DC
Frequency Response	35 Hz - 20 kHz
Low Cut	100 Hz, -12 dB/oct
Output Connector	XLR-3-12 equivalent
Cord Length	7.5 m (24.61 ft)
Operating Temperature	0 °C to +40 °C (32 °F to 104 °F)
Finish	Body: Die-cast aluminum, black, mat finish, paint Punched net: Surface-treated steel plate, black, mat finish, paint
Dimensions	83 (W) x 23 (H) x 83 (D) mm (3.27" x 0.91" x 3.27") (cord excluded)
Weight	290 g (0.64 lb)

\* The EM-700 requires 9 - 52 V DC phantom power for operation.

APPEARANCE



UNIT:mm SCALE:1/2