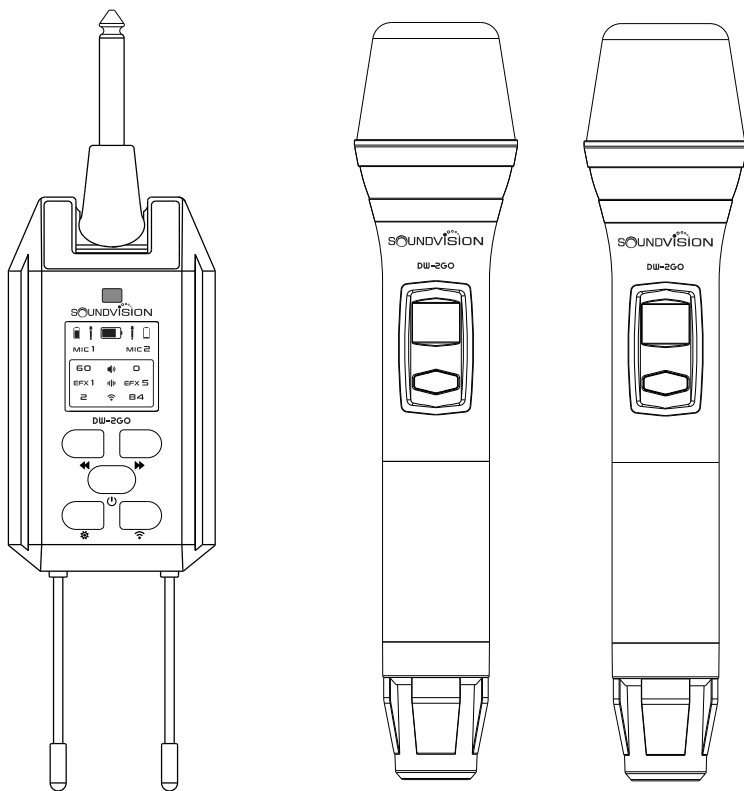


SOUNDVISION™

DW-2GO  
SERIES



WIRELESS MICROPHONE SYSTEMS

USER MANUAL



# DW-2GO SERIES

## CONTENTS

INTRODUCTION	2
FEATURES	2
PRODUCT INTRODUCTION	3-4
PACKING LIST	5
OPERATION	5-6
- IR SYNC	
- CONNECTION	
SPECIFICATIONS	7

## CAUTION!

Please do read this manual carefully before using. Wireless microphones can scatter radio energy, please do follow the instruction to install and operate in case causing harmful influence. Do abide local radio regulations when using wireless microphones. We can offer you frequency products, and please choose specific range according with local radio regulations; otherwise, you will take full responsibility of all consequences.



## WARNING

- Do place receiver in open space, so that it can receive signals better.
- Do not throw the device.
- Do not place the device under rain or drop it into water.
- Keep device away from sunshine or electromagnetic field.
- Do insert batteries in the right way and remove them if device is idle for long time.
- Cut off power the supply before battery replacement.
- Pull out power adaptor from the power supply if the receiver is idle for long time.
- Do not take apart device without permission in case users are injured.
- Device does not contain any part for self-refuting, otherwise, the warranty will be void.
- Use soft cloth to clean device, if there is any stubborn stain, clean it with neutral detergent but not volatile gasoline or thinner.
- Keep at least 30CM space around device for better ventilating.
- Do not cover ventilation holes with paper, tablecloth or curtain.
- Do not put the fire on device like burning candle.
- Keep device away from water drops, or any container with liquid like vase.
- Do not use new and old batteries at the same time, besides, replace them with same kind batteries. Discarding batteries to specific recycling bin.
- Working temperature: 5°c – 60°c

Please try below methods to solve interfered problem when using wireless microphones

- Adjust place or direction of the antenna.
- Keep away from radio or TV.
- Do not plug into same electrical socket outlet with radio or TV.
- The best angle is 45°c for mouth and microphone when speech, in order to reduce affected by airflow from the mouth.
- Using 1 microphone when 1 sound input, otherwise sound will be mixed.
- Keep a distance of mouth and microphone less than 15CM because of cardioid pickup, otherwise bass is not good.

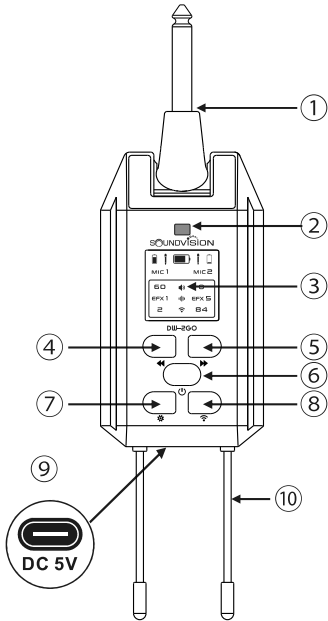
### INTRODUCTION

This product is a new type of portable wireless microphone dual handheld comfortable to hold. The receiver is equipped with a display screen for showing the working status. It is suitable for outdoor / indoor singing, music entertainment karaoke, speeches, event, broadcasting and other occasions.

### FEATURES

- Digital UHF 694.5 ~ 702.7MHz frequency range.
- Frequency response 40Hz ~ 20kHz  $\pm$ 3dB
- Pre-Set 84CH selectable frequencies (Mic1 : 01-42Channels / Mic2 : 43-84Channels).
- Digital ID code, completely solve the frequency interference.
- IR sync downloading the frequency from the receiver.
- TFT display shows the microphone battery, Volume, Effects and Channels status.
- 5 Effects select : (EFX 1 – 5)
- Up to 50 Meters line-of-sight range.
- An efficient battery energy design that allows the microphone to be used continuously for longer periods of time.
- Ideal outdoor- indoor for singing, music entertainment karaoke, speeches, event, broadcasting and other occasions.

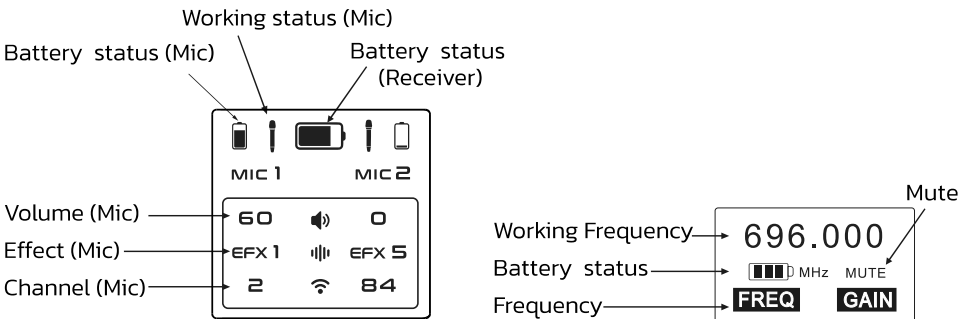
## PRODUCT INTRODUCTION



## RECEIVER

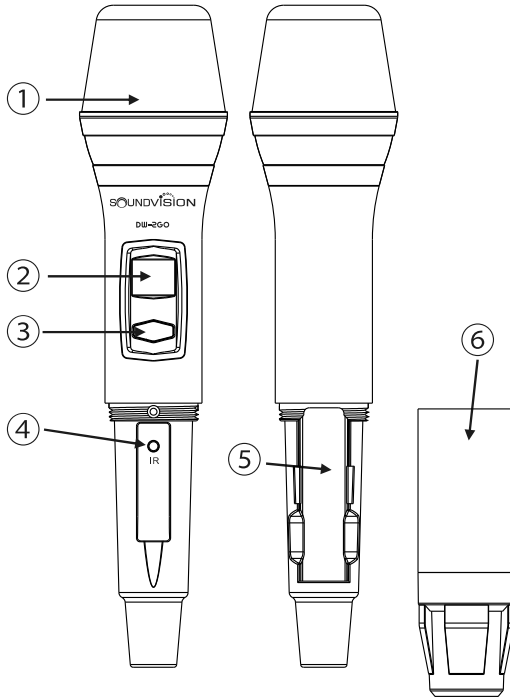
1. 6.35mm audio output plug
2. IR window
3. TFT Display : shows the battery status, volume, effect, channels.
4. UP button
5. DOWN button
6. POWER button
7. UNLOCK / SET: circulate button
8. IR button
9. Charging socket DC 5V micro USB type-C
10. Antenna

## DISPLAY



PRODUCT INTRODUCTION

TRANSMITTER





- 1. CAPSULE : pick up sound.
- 2. LCD DISPLAY : indicates microphone working status.
- 3. POWER BUTTON : control handheld microphone to be power on, off and mute.
- 4. IR BUTTON : SYNC IR signal with receiver
- 5. BATTERY SINK : insert 3V (2×1.5V AA Battery)
- 6. BATTERY COVER : unscrew it when change batteries

## PACKING LIST

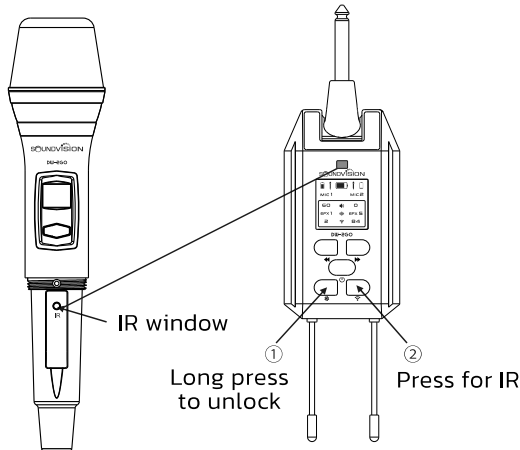
- Receiver x 1 pc.
- Handheld x 2 pcs.
- User manual x 1 Book.
- Charging cable x 1 pc.
- 1.5V AA battery x 4 pcs.



## OPERATION

### IR SYNC

Unlock the receiver by long press the  button under power on status. Then selecting MIC1 or MIC 2 and pressing the  button for sending IR signal until the LED is flashing on the top. Turn on the microphone and unscrew the battery tank, turn the IR window towards the IR LED light on the receiver.

Receiver display shows the microphone battery status and handheld symbol change into white color.



Unlock the receiver by long press the  button under power on status. Then short press the  button again for chossing

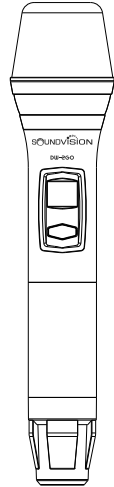
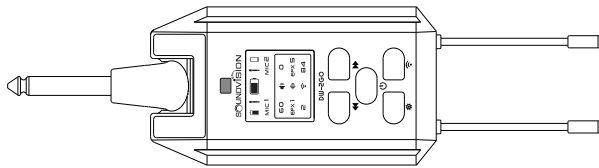
- ① VOLUME ( 0, 10, 20, 30, 40, 50, 60, 70, 80, 90, 100) , ② EFFECT (OFF, EFX 1, EFX 2, EFX 3, EFX 4, EFX 5), and CHANNEL for MIC 1 (01~42) / MIC 2 (43~84)



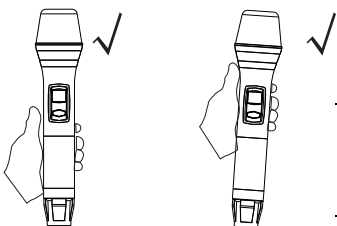
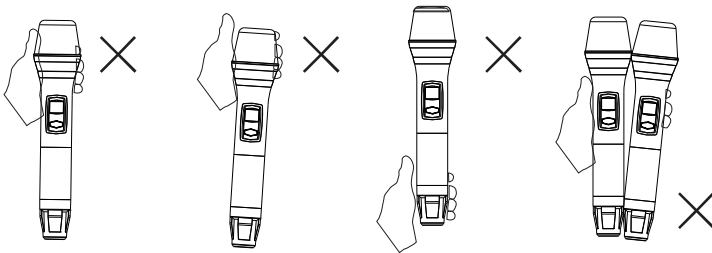
OPERATION

CONNECTION

6.35mm output plug, can match equipments with 6.35mm port.



HANDHELD MICROPHONE USING TECHNIQUE



- Attention the using distance between the microphone Grille and mouth is less than 15cm.
- Make sure the grille isn't pointed at the horn.

## SPECIFICATIONS

### SYSTEM

Carrier Frequency	UHF 694.5 ~ 702.7 MHz
Available Channels	84CH    Mic1 : 01-42 Channels Mic2 : 43-84 Channels
Bandwidth	8.3dB
Dynamic Range	>90dB
Total Harmonic Distortion	<0.3%
Frequency Response	40Hz ~ 20kHz $\pm$ 3dB
Demodulation Mode	DQPSK
Sampling Rate	48 KHz
Audio Output Level	400mV $\pm$ 20mV

### RECEIVER

Carrier Frequency	UHF 694.5 ~ 702.7 MHz A-CH 694.5-698.5MHz / B-CH 698.6-702.7MHz
Frequency Response	40Hz ~ 20kHz $\pm$ 3dB
Signal/Noise Ratio	>80dB
Receiving Sensitivity	-95dBm
Electric Current	250mA $\pm$ 10mA
Voltage	1300 mAh (USB Type-C Charger DC 5V)

### TRANSMITTER

Carrier Frequency	UHF 694.5 ~ 702.7 MHz
Available Channels	84CH
Bandwidth	8.3dB
Frequency Switch	IR SYNC
Microphone Type	Dynamic
Polar Pattern	Super-cardioid
Frequency Response	50Hz ~ 17KHz
Impedance	600 $\Omega$
Sensitivity	-52.0 $\pm$ 2dB
Output Power	30mW
Harmonic Suppression	54dBc
Harmonic Distortion	<0.3%
Electric Current	130mA $\pm$ 10mA
Battery Voltage	3V (2 x 1.5V AA Battery)
Battery Life (Alkaline Type)	approx. 8 hours

TRADEMARK AND LICENSES



**SOUNDVISION™** is a trademark of SOUND VISION CO., LTD.  
registered in the Thailand, China, Laos and other countries.  
Names are trademarks or registered trademarks of their respective owners.

**SOUND VISION CO., LTD.**

99/189 Moo.4, Sala Klang, Bang Kruai,  
Nonthaburi 11130 Thailand  
Support : 02-433-9988 Email : [info@soundvision.co.th](mailto:info@soundvision.co.th)  
LINE Official : [@soundvision](https://www.soundvisionpro.com) [www.soundvisionpro.com](http://www.soundvisionpro.com)



**SOUNDVISION™**

[www.soundvisionpro.com](http://www.soundvisionpro.com)