

e 845

High-performance lead vocal microphone designed for rough stage use

FEATURES

- Rugged all metal body
- Exceptional feedback rejection
- Full dynamic range and smooth frequency response for excellent signal quality
- Consistent on-/off-axis and proximity response
- Very good rejection of handling noise
- Hum compensating coil

Extended high frequency response and super-cardioid pick-up pattern for higher signal output, cuts through high on-stage sound levels. Smooth warm tonal response and full dynamic range, with presence lift for vocal clarity and projection. Consistent on/off axis and proximity response maintain sound quality while moving, providing greater on-stage freedom.

Full metal construction and extensive suspension and shock-mounting minimize handling noise and signal interference. High output performance microphone, offering power, clarity and projection (also available with a switch: e 845-S).



ARCHITECT'S SPECIFICATIONS

The high-performance lead vocal microphone shall be a dynamic super-cardioid type designed for rough stage use. The microphone shall have a rugged metal body and a shock-mounted capsule and shall include a hum compensating coil. The frequency response shall be 40 Hz – 16,000 Hz and the sensitivity (free field, no load) shall be 1.8 mV/Pa at 1 kHz. The nominal impedance shall be 350 Ω, with a min. terminating impedance of 1 kΩ. The microphone shall provide a 3-pin XLR connector. Dimensions shall be 46 x 185 mm (1.81" x 7.28"). Weight without cable shall be 330 grams (11.64 oz). The microphone shall be the Sennheiser e 845, the variant with a silent ON/OFF switch shall be the Sennheiser e 845 S.

TECHNICAL DATA

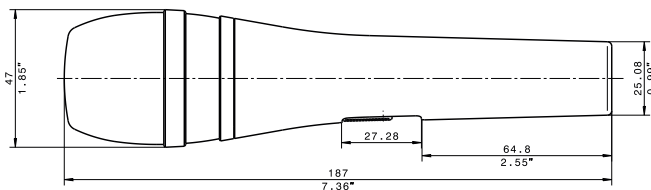
Transducer principle (Microphone).....	dynamic
Pick-up pattern.....	super-cardioid
Frequency response (microphone).....	40 – 16,000 Hz
Sensitivity (free field, no load at 1 kHz)	1.8 mV/Pa
Nominal impedance.....	350 Ω
Min. terminating impedance.....	1000 Ω
Connector.....	XLR-3
Dimensions.....	d 46 x 185 mm
Weight w/o cable.....	330 g

DELIVERY INCLUDES

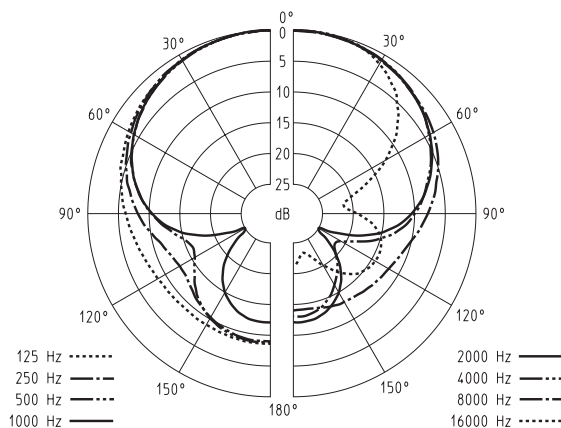
- 1 e 845
- 1 microphone clip
- 1 pouch
- Instructions for use

e 845 High-performance lead vocal microphone designed for rough stage use

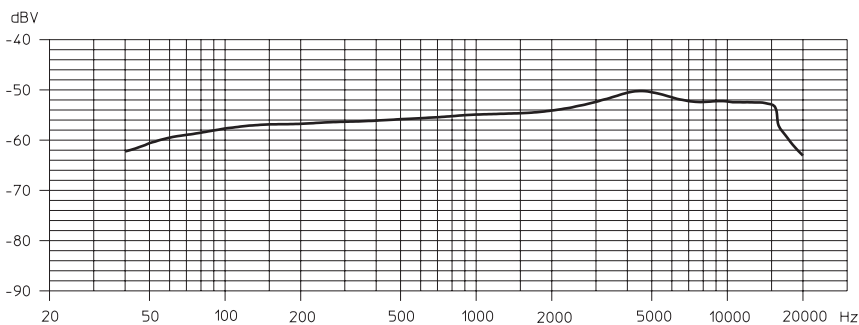
DIMENSIONS



POLAR PATTERN



FREQUENCY RESPONSE



PRODUCT VARIANTS

e 845 S – High Performance Lead Vocal Microphone with noiseless on/off switch Cat. No. 04516

RECOMMENDED ACCESSORIES

MZQ 800 universal stand adapter clip for most Evolution handheld wired microphones Cat. No. 004711

MZW 4032-A anthracite foam windscreen Cat. No. 002978

MZW 4032-C blue foam windscreen Cat. No. 002980

Sennheiser electronic GmbH & Co. KG
 Am Labor 1, 30900 Wedemark, Germany
 www.sennheiser.com

1.1/12 Sennheiser is a registered trademark of Sennheiser electronic GmbH & Co. KG. www.sennheiser.com. Copyright © 11/2012. All rights reserved. Errors and omissions excepted.

