

e 614

Overhead microphone designed for demanding applications

FEATURES

- Rugged design
- Effective rejection of incidental rear noise
- Excellent directivity across the whole frequency range
- Full, natural sound
- High maximum sound pressure level
- Wide frequency response

The **e 614** is a super-cardioid condenser microphone, designed for demanding instrument recordings and performances that require extended frequency response, high SPL handling, fast transient response and compact size. While drumset overhead miking was the first design priority, the e 614 also works exceptionally well on percussion setups as well, fitting comfortably into tight setups. The e 614 can handle high SPLs and features medium sensitivity, which ensures reduced bleed from other instruments on stage. Because of its excellent acoustic properties, this mic is also ideal for home recording.



ARCHITECT'S SPECIFICATIONS

The rugged microphone shall be a super-cardioid pre-polarized condenser designed for demanding instrument miking applications. The frequency response shall be 40 Hz – 20,000 Hz and the sensitivity (free field, no load) shall be 3 mV/P at 1 kHz. Maximum SPL shall be 139 dB at 1 kHz. Nominal impedance shall be 50 Ω, with a min. terminating impedance of 1 kΩ.

The microphone shall operate on 12 – 52 V phantom power and shall provide a 3-pin XLR connector. Dimensions shall be 20 x 100 mm (0.79" x 3.94"). Weight shall be 93 grams (3.28 oz). The microphone shall be the Sennheiser e 614.

TECHNICAL DATA

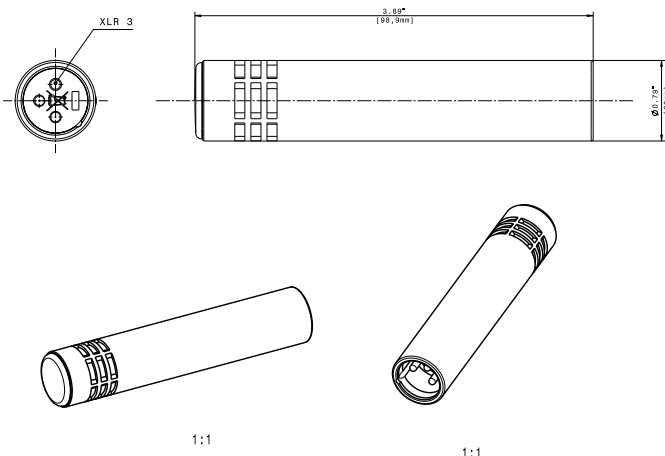
Transducer principle	pre-polarized condenser microphone
Frequency response	40 – 20,000 Hz
Pick-up pattern	super-cardioid
Sensitivity (free field, no load at 1 kHz)	3 mV/Pa
Max. sound pressure level at 1 kHz	139 dB/SPL
Nominal impedance	50 Ω
Min. terminating impedance	1 k Ω
Phantom powering	12 – 52 V / 3 mA
Connector	XLR-3
Dimensions	∅ 20 mm, L 100 mm
Weight	93 g

DELIVERY INCLUDES

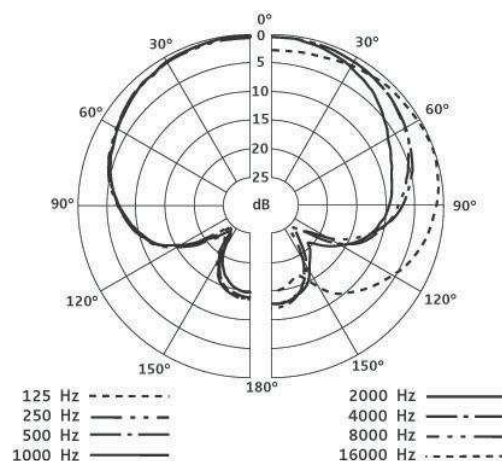
- 1 e 614
- 1 microphone clamp
- 1 Pouch
- Instructions for use

e 614 Overhead microphone designed for demanding applications

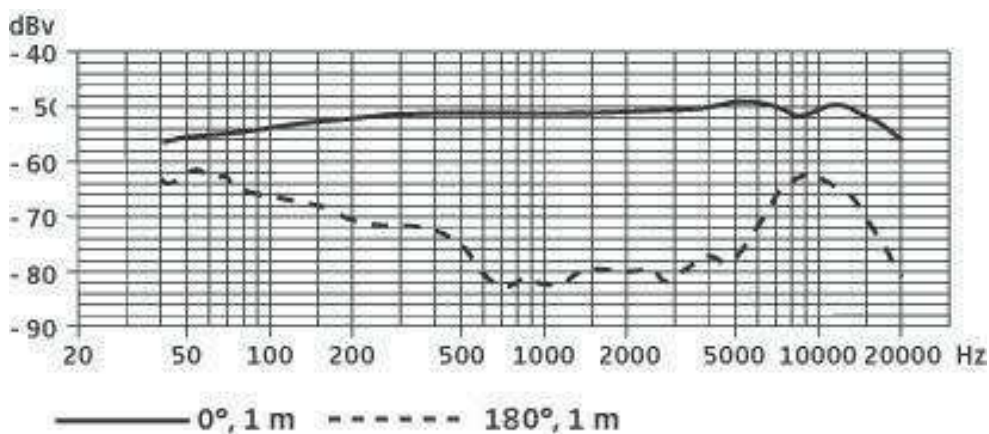
DIMENSIONS



POLAR PATTERN



FREQUENCY RESPONSE



Sennheiser electronic GmbH & Co. KG
 Am Labor 1, 30900 Wedemark, Germany
www.sennheiser.com

 **SENNHEISER**