

e 602-II

Instrument Microphone

The e 602-II is a cardioid microphone especially suitable for use with bass drums, bass guitar cabinets, tubas and other low frequency instruments.

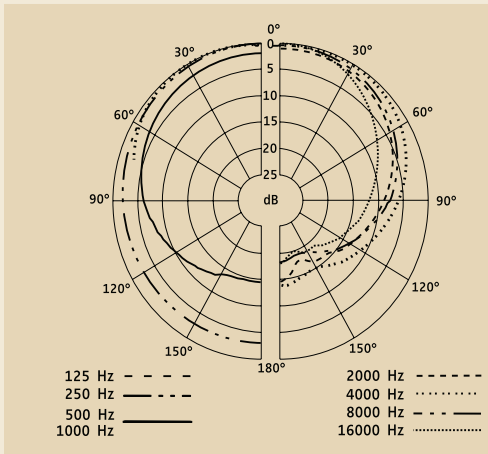


- Rugged, lightweight aluminium body for stable positioning on long microphone boom arms
- Lightweight, high-performance voice coil construction
- Fast transient response
- Low frequency extension
- Ideal for direct use on the most problematic bass signal sources
- Frequency-independent directivity provides isolation from other on-stage signals
- Humbucking coil
- Integral stand mount
- Delivery includes: 1 e 602-II
1 pouch

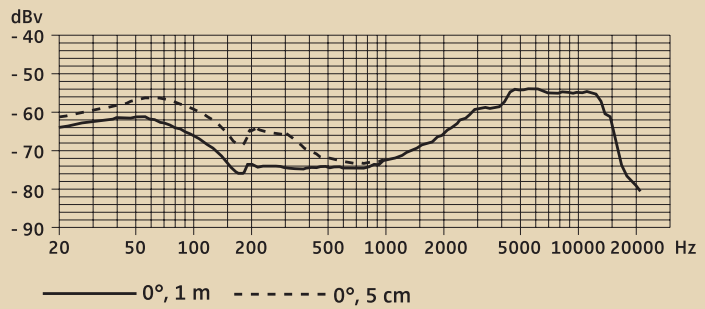


Specifications

Polar pattern



Frequency response



Modell	e 602-II
Cat No.	500797
EAN No.	4044155013733
UPC No.	615104120747
Sensitivity in free field, no load (1 kHz)	0.25 mV/Pa
Sensitivity in free field, no load (50 kHz)	0.9 mV/Pa
Nominal impedance	350 Ω
Min. terminating impedance	1 kΩ
Dimensions	∅ 60 x 153 mm
Weight w/o cable	320 g
Pick-up pattern	cardioid
Frequency Response	20 – 16,000 Hz
Packaging	
Packaging dimensions (W x H x D in mm)	259 x 79 x 118
Carton dimensions (W x H x D in mm)	585 x 275 x 260
Units per carton	1
Languages	German, English, French, Spanish, Italian, Dutch