

e 945 Professional super-cardioid vocal microphone

FEATURES

- Metal construction: Rugged and reliable
- Shock-mounted capsule: Low sensitivity to impact and handling noise
- Super-cardioid pick-up pattern: Insulation from other on-stage signals
- Hum compensating coil: Reduces electrical interference
- Neodymium ferrous magnet with boron: Keeps microphone stable regardless of climate
- Falcon ring: Consistent sound over time
- Extremely vivid, crisp sound with drums and percussions

The **e 945** is a super-cardioid lead vocal stage microphone specially designed to perform under pressure while exhibiting a naturally smooth response. Made for the working musician. Excellent sound results guaranteed, day to day, 365 days a year. First choice for rental companies.



ARCHITECT'S SPECIFICATIONS

The microphone shall be a dynamic super-cardioid designed for lead vocal stage use. It shall have a rugged metal body and a shock-mounted capsule and shall be fitted with a hum compensating coil. The frequency response shall be 40 Hz – 18,000 Hz and the sensitivity (free field, no load) shall be 2 mV/Pa at 1 kHz. Nominal impedance shall be 350 Ω, with a min. terminating impedance of 1 kΩ. The microphone shall provide a 3-pin XLR connector. Dimensions shall be 47 x 186 mm (1.85" x 7.32"). Weight shall be 365 grams (12.86 oz). The microphone shall be the Sennheiser e 945.

TECHNICAL DATA

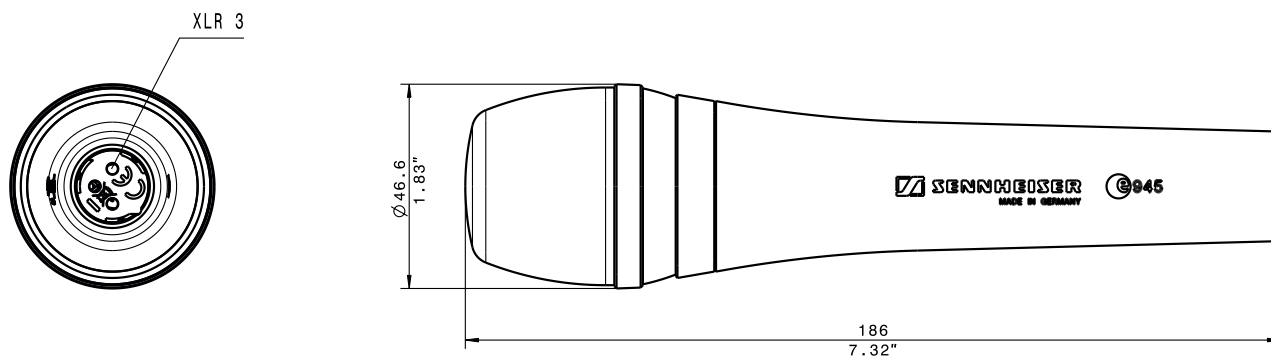
Transducer principle	dynamic
Pick-up pattern.....	super-cardioid
Frequency response	40.....18,000 Hz
Sensitivity (free field, no load at 1 kHz)	2.0 mV/Pa = -54 dB (0 dB = 1 V/Pa) = -74 dB (0 dB = 1 V/ubar)
Nominal impedance.....	350 Ohm
Min. terminating impedance.....	1000 Ohm
Connector.....	XLR-3
Dimensions.....	47 x 186 mm
Weight.....	365 g

DELIVERY INCLUDES

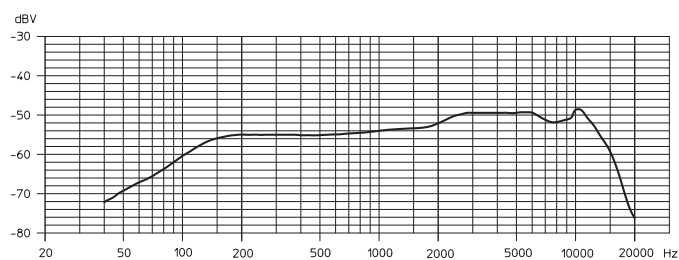
- 1 e 945
- 1 MZQ 800 microphone clamp
- 1 pouch
- Instructions for use

e 945 Professional super-cardioid vocal microphone

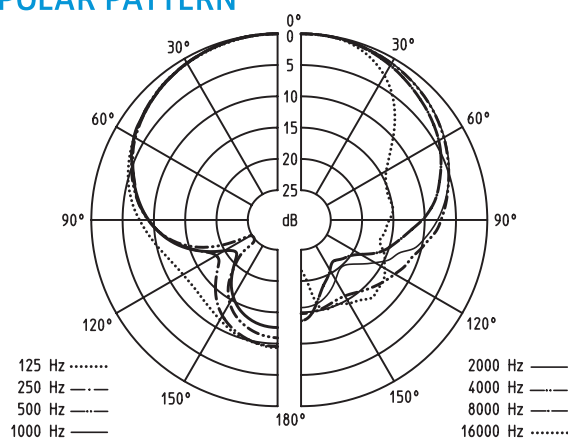
DIMENSIONS



FREQUENCY RESPONSE



POLAR PATTERN



RECOMMENDED ACCESSORIES

MZQ 800 – universal stand adapter clip for most Evolution handheld wired microphones Cat. No. 004711

Sennheiser electronic GmbH & Co. KG
Am Labor 1, 30900 Wedemark, Germany
www.sennheiser.com

 **SENNHEISER**