

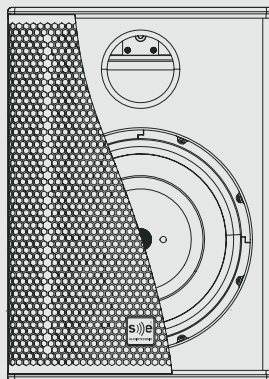
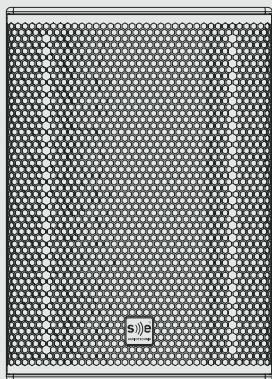


AUDIOTECHNIK

# COX-LINE

PASSIVE COAXIAL MONITOR

COX 8 MKII | COX 12 MKII



## MANUAL

## THANK YOU FOR CHOOSING S)))e AUDIOTECHNIK.

We are happy to be the solution for your sound reinforcement needs with our professional loudspeaker systems. The system you have purchased is based on years of experience and leading expertise as a speaker manufacturer and speaker developer. It is our efficient and precise international engineering that guarantees a high quality and reliable product from **SE AUDIOTECHNIK**.

Please, take the time to carefully read this manual and follow its instructions. It will allow you to get the most out of your product under safe operating conditions and suggest some care instructions leading to long-term endurance. Keep this manual in a safe place for further reference!

If you find any mistakes or have further questions or suggestions, please contact us at **info@se-audiotechnik.de**.

For more information about **SE AUDIOTECHNIK** products, visit our website **www.se-audiotechnik.de** (DE/EN) or **www.se-audiotechnik.com** (CN).

There you will also find the latest updates to manuals, firmware and technical documents for additional support.

© Copyright by **SE AUDIOTECHNIK** 2024. All rights reserved.  
The content of this document is subject to change without prior notice to improve reliability, function, design or otherwise.

DE

EN

ES

FR

IT

中文

# LIST OF CONTENTS

<b>IMPORTANT SAFETY INSTRUCTIONS</b>	<b>6</b>
<b>PACKAGE CONTENTS</b>	<b>10</b>
<b>INTRODUCTION</b>	<b>11</b>
COX 8 MKII CONNECTION PANEL	12
COX 12 MKII CONNECTION PANEL	13
<b>WIRING AND POWERING</b>	<b>14</b>
<b>INSTALLATION COX 8 MKII</b>	<b>15</b>
COX 8 SMB SMART MOUNT	16
FLOWN COX 8 MKII	17
COX8 WB WALL MOUNT	18
<b>INSTALLATION COX 12 MKII</b>	<b>19</b>
COX 12 MKII ON A STAND	20
FLOWN COX 12 MKII	21
COX12 WB WALL MOUNT	22
<b>INSTALLATION OPTIONS</b>	<b>24</b>
<b>SPECIFICATIONS COX 8 MKII</b>	<b>25</b>
Technical Specifications	26
Mechanical Drawings	27
<b>SPECIFICATIONS COX 12 MKII</b>	<b>28</b>
Technical Specifications	29
Mechanical Drawings	30
<b>MANUFACTURER'S DECLARATIONS</b>	<b>31</b>

DE

EN

ES

FR

IT

中文

# IMPORTANT SAFETY INSTRUCTIONS



The products described in this manual have been engineered and manufactured to ensure your personal safety. However, **IMPROPER USE CAN RESULT IN SERIOUS INJURIES TO THE USER AND THIRD PARTIES AND OTHER POTENTIAL HEALTH RISKS.** Always follow the basic precautions in this manual to avoid the possibility of serious injury or even death from mechanical parts, mechanical malfunction, falling parts, damages or interaction with devices used in combination and may lead to electrical shock, short-circuiting, fire or other hazards. These precautions include, but are not limited to, the following points:

## General safety instructions

1. Keep these instructions.
2. Read and follow thoroughly all instructions.
3. Heed all warnings.
4. Do not expose this device directly to rain, moisture or any kind of liquid. Keep it away from water and do not place objects filled with fluids on top of it.
5. Clean the device just with a dry cloth and only after disconnecting it from the power amplifier. Do not use paint thinners, solvents, cleaning fluids, or chemical-impregnated wiping cloths.
6. Keep away from objects which may be impaired by an external magnetic field. To avoid the damage of equipment such as computers, video monitors and magnetic data carriers, they should be located at least 1 meter away.
7. Only use safety pins, attachments, accessories and adapters specified and/or provided by the manufacturer.
8. Do not block any ventilation openings and keep away from any heat sources such as radiators, heat registers, or other equipment (including amplifiers) that produce heat.
9. Do not insert your fingers, hands or any other foreign objects into any gaps or openings of the device.
10. Do not attempt to open any part of the unit. There are no user-serviceable parts inside.
11. Before transportation, remove all the rigging elements and accessories from the loudspeakers.
12. Refer all servicing to qualified service personnel. This is required when the product has been damaged in any way, such as power-supply plug is impaired, liquid has been spilled or objects have fallen into the device, the device has been exposed to rain or moisture, does not operate normally, or has been severely dropped.
13. When the product reaches the end of its life, take it to the correct collection point designated by local authorities. Proper collection and recycling conserves natural resources, protects human health and preserves our environment.

## Rigging safety instructions

14. Adhere to and respect any local regulation regarding manipulation, suspension and hoisting of heavy loads.
15. Arrange an appropriate working environment, clear and free from unnecessary or dangerous objects.
16. Ensure that the ground, surfaces and holding structures are safe, stable and can hold the weight of the loudspeakers.
17. Inspect the conditions of all the equipment, accessories and tools. Make sure no part has any defects, faults or damage that may endanger or compromise safety.
18. Make sure that all personnel handling the product, parts of the product and accessories have received appropriate training and certification.
19. Make sure that the installation and handling of the product and its accessories is always performed by personnel with suitable physical conditions and who are familiar with the procedures for safety installations and the products and systems from SE AUDIOTECHNIK.
20. Use appropriate personal protective equipment (safety shoes, helmet, gloves and fall protection) and follow the applicable regulation for working in heights and above head.
21. When installing products above head height, always use proper equipment (ladder, industrial lift, lifting platform) to work safely in the intended height.
22. Observe and conform to the maximum load-bearing capacity of the elements and the maximum load-bearing capacity of the structures to which the speakers are attached.
23. When rigging or flying loudspeakers:
  - Remain attentive to any risk of bruising and/or crushing.
  - Verify that every component is correctly fastened and secured.
  - Always double secure flown elements.
  - Avoid unattached elements.
  - Do not stand below hanging loads.
  - Never climb on the loudspeakers.
  - Set up a safety zone in the area of influence of the loudspeakers for all persons who are present during set-up, dismantling and operation.




THE USE OF LOUDSPEAKER ACCESSORIES AS WELL AS THE ASSEMBLY AND INSTALLATION OF LOUDSPEAKER RIGS AND STACKS AND THE SUSPENSION OF LOUDSPEAKER ARRAYS MAY ONLY BE PERFORMED BY AUTHORIZED, TRAINED AND CERTIFIED PERSONNEL.




ALWAYS FOLLOW RULES AND REGULATION FOR RIGGING, HOISTING AND WORK WITH STACKED OR SUSPENDED EQUIPMENT SET BY THE AUTHORITIES, PROFESSIONAL ASSOCIATIONS AND EFFECTIVE STANDARDS.


# IMPORTANT SAFETY INSTRUCTIONS


## GRAPHICAL SYMBOLS THAT MAY BE FOUND ON THE PRODUCT


 The CE mark indicates the conformity with the relevant EU directives for safety, health and environmental protection. See the Manufacturer 's Declaration section.

 Symbol for conformity with Directive 2002/96/EC and Directive 2003/108/EC of the European Parliament, on waste electrical and electronic equipment (WEEE).

## GRAPHICAL SYMBOLS IN THIS MANUAL

 Symbol to alert the user about important operating or maintenance instructions.

 Symbol for important concepts and information for a better understanding of the functioning of the product.

 Symbol for practical tips and ideas useful to ensure the correct use of the product and improve its operation.

## NOISE EXPOSURE PRECAUTIONS



THIS PRODUCT CAN RADIATE HIGH SOUND PRESSURE LEVELS (SPL), WHICH CAN LEAD TO IRREVERSIBLE HEARING DAMAGE. SE AUDIOTECHNIK RECOMMENDS TO RESPECT THE TIMES OF EXPOSURE TO HIGH SOUND PRESSURE LEVELS.

Noise level (dBA)	<b>85</b>	<b>94</b>	<b>97</b>	<b>112</b>	<b>127</b>
Max. recommended exposure time per 24 hours	<b>8 hrs.</b>	<b>1 hr.</b>	<b>30 min.</b>	<b>56 sec.</b>	<b>1 sec.</b>

Noise exposure recommendations according to US National Institute for Occupational Safety and Health (NIOSH).

## PACKAGE CONTENTS

The packaging of **COX 8 MKII** or **COX 12 MKII** includes:

- 1 COX MKII Speaker
- 1 COX MKII Safety Instruction/Manual Link
- 1 QC PASS card
- 1 Warranty card

Please inspect your product packaging before unboxing it. If it has been damaged during shipping, unbox the product and check for any visual damage before using it. Notify the shipping company immediately and contact your SE AUDIOTECHNIK dealer or support center for help and assistance.

Finally, save the shipping carton as evidence for the possible claim, which can be requested only by you. We also recommend you to keep all the packing materials and contents for any further transportation.

## INTRODUCTION

The ingenious design of the **COX-Line speakers** combines tweeter and woofer/midrange driver in a single unit with a coaxial structure for consistent sound quality and a compact form factor. COX-Line speakers offer uniform coverage characteristics as all sound waves are emitted from the same source. The COX-Line's coaxial system allows for a smooth transition between the high and mid/low frequencies, resulting in a natural and coherent sound experience.

While **COX 8 MKII** offers an optimised sound image with precise localisation and differentiation of sound signals as well as easy installation due to its low weight and small dimensions, **COX 12 MKII** impresses with an extended low frequency range and higher power handling.

The versatile and practical COX-Line speaker systems offer an effective combination of size, performance and ease of use. With its features, available accessories and system integration capabilities with other SE AUDIOTECHNIK products, COX-Line speakers are a great choice for installations, mobile applications and stage monitoring.

## FEATURES

### COX 8 MKII

8" woofer (2" VC), horn-loaded 1.75" PEN compression driver, 2-way coaxial system | 250 W continuous power handling (1,000 W peak) | up to 132 dB SPL | 96 dB sensitivity (1W/1m) | 74 Hz – 20 kHz usable frequency range | 7.8 kg

Can be used on the floor, standing, suspended or wall mounted | Smart Mounting Bracket (SMB) option | M8/M5 flying points | expandable with SE subwoofer lines | matches perfect with SE IA installation power amplifiers | speakON® and 4-pin Phoenix connectors | audio signal pass through

Wooden enclosure | polyurea coating | rugged front grille | multifunctional enclosure shape

Suitable for installations, conference rooms, bars, stage monitoring, side and front fills, architectural sound and small mobile sound applications.

### COX 12 MKII

12" woofer (3" VC), horn-loaded 1" PEN compression driver, 2-way coaxial system | 400 W continuous power handling (1,600 W peak) | up to 136 dB SPL | 98 dB sensitivity (1W/1m) | 52 Hz – 20 kHz usable frequency range | 19.5 kg

Can be used on the floor, standing, on a speaker stand, suspended or wall mounted | M8 flying points | expandable with SE subwoofer lines | can be powered with SE IA installation and L-Line power amplifiers | speakON® and 4-pin Phoenix connectors | audio signal pass through

Wooden enclosure | polyurea coating | rugged front grille | multifunctional enclosure shape | ergonomic rear handle | 36 mm pole mount

Suitable for installations, bars, stage monitoring, side and front fills, architectural sound and mobile sound applications.

## COX 8 MKII CONNECTION PANEL

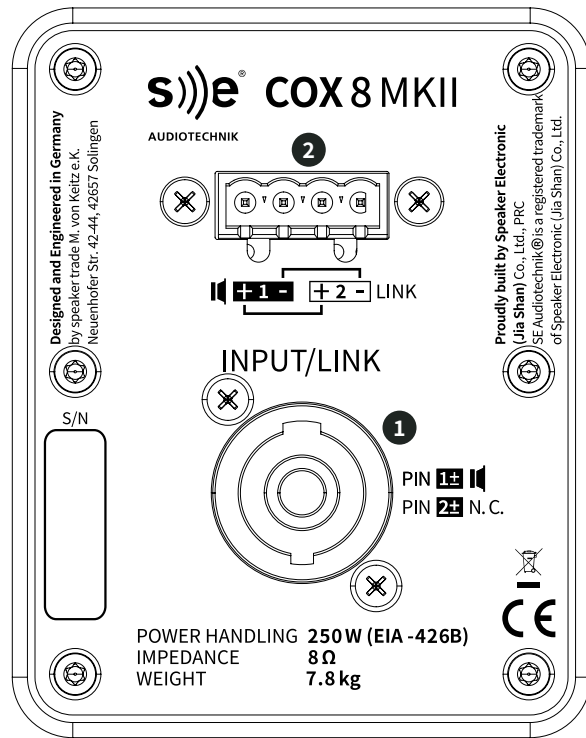


Figure 1. COX 8 MKII - Connection terminal.

- 1 Input: speakON® NL4: Pins 1+ / 1- : driver; Pins 2+ / 2- : N.C.
- 2 Input/Link: Phoenix: Pins 1+ / 1- : driver; Pins 2+ / 2- : link



Please only use suitable plugs and cables. Always observe the regulations and requirements of the location where you are using this loudspeaker system. The cabling may only be carried out by trained specialists.

## COX 12 MKII CONNECTION PANEL

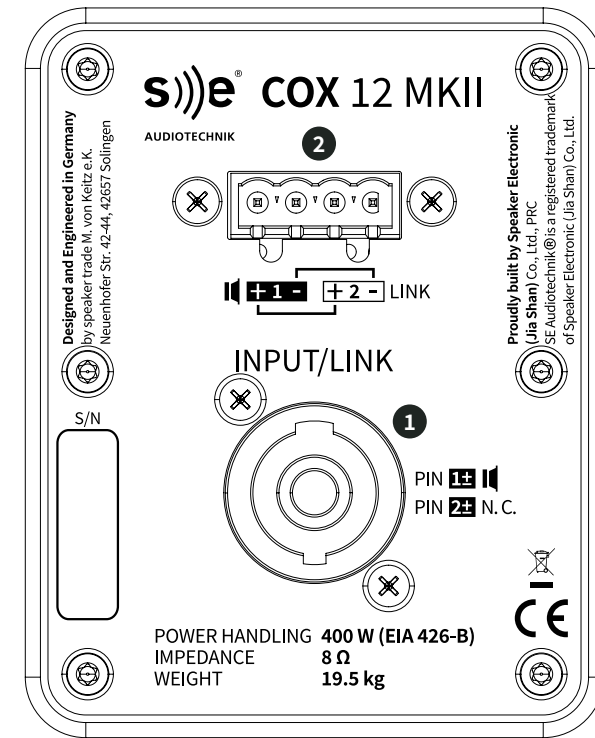


Figure 2. COX 12 MKII - Connection terminal.

- 1 Input: speakON® NL4: Pins 1+ / 1- : driver; Pins 2+ / 2- : N.C.
- 2 Input/Link: Phoenix: Pins 1+ / 1- : driver; Pins 2+ / 2- : link



Please only use suitable plugs and cables. Always observe the regulations and requirements of the location where you are using this loudspeaker system. The cabling may only be carried out by trained specialists.

## WIRING AND POWERING

Audio signals are entered and/or passed through a Neutrik® speakON® NL4 connector. These wires should be connected as shown below:

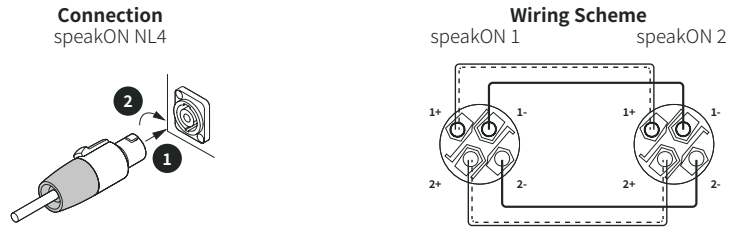



Figure 3. SpeakON® NL4 plug-in and link cable connection.


It is recommended to use cables with at least 18 AWG conductor size. For long cable lengths, the maximum conductor size is 14 AWG. Those wires must be assembled by a qualified technician.


To ensure the correct and safe behavior of the equipment, use a sufficiently powerful amplifier. As a general rule, its rated power should be at least twice the rated power of the loudspeaker. Keep in mind that daisy chain connections reduce the total impedance, so please keep in mind the amplifier's capabilities.

In addition, when using passive loudspeakers as the **COX 8 MKII** and **COX 12 MKII**, both mechanical and thermal protection techniques should be implemented. SE AUDIOTECHNIK'S drivers are designed to reach lower stress in the suspension parts at greater excursion. However, these protections will assure the proper behavior of the equipment, its care and safety, and can maximize the performance of the whole system.

 The mechanical protection of a loudspeaker controls the excursion of the cone, so its physical limits are not exceeded. This can be done by filtering the signal below the safe range of the loudspeaker.

Thermal protection controls the energy of the loudspeaker in the long term, keeping its temperature under safe levels. This is achieved by limiting the RMS voltage applied, where the maximum allowable value is its average power handling. This protection depends also on the time constants selected to trigger and release the limiter.

 If equalization is needed, it is recommended to reduce levels in the undesired frequency ranges, instead of boosting the desired ones. This guarantees maximum dynamic range.

 **If you are using an SE AUDIOTECHNIK I-Line or L-Line amplifier, you can use the built-in presets for simple and safe setup of the loudspeaker systems.**

## INSTALLATION COX 8 MKII

The **COX 8 MKII** cabinet's design offers great versatility for different needs and applications. This coaxial loudspeaker can be used on the floor, standing, suspended or wall mounted.

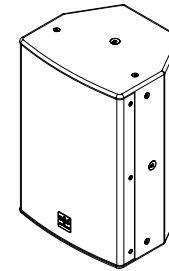


Figure 4. Vertically, as a stand-alone loudspeaker for full-range reinforcement.

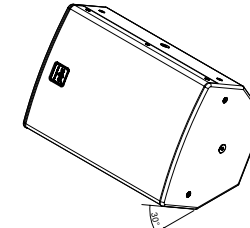


Figure 5. Horizontally, as floor stage monitor.

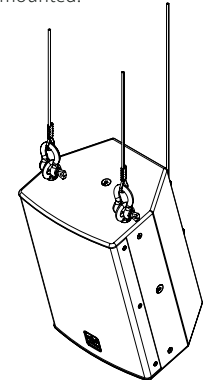


Figure 6. Hanged from the ceiling using the M5 and M8 screw threads.

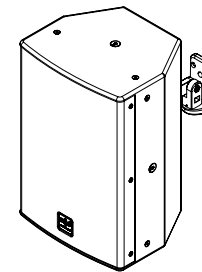


Figure 7. Wall mounted using the SMB (Smart Mounting Bracket).

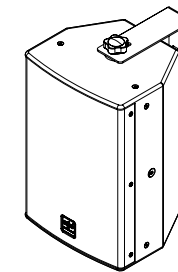


Figure 8. Wall mounted using the WMB (Wall Mounting Bracket). Also allows other mounting variants.



## INSTALLATION COX 8 SMB SMART MOUNT

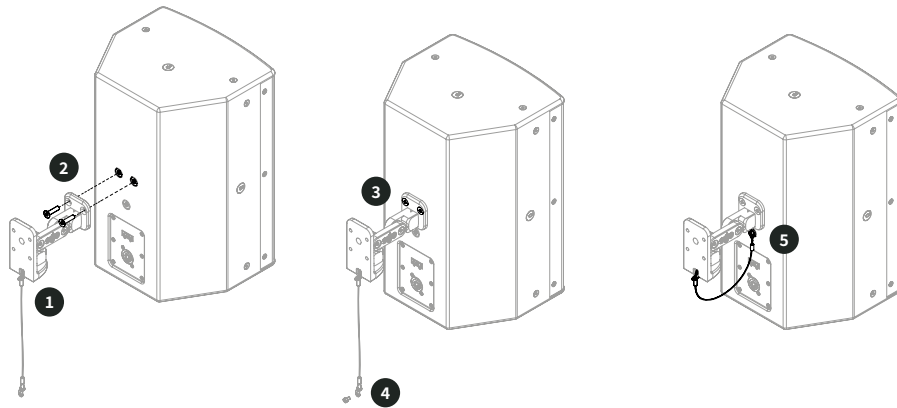


Figure 9. COX 8 MKII - Installation with SMB (Smart Mounting Bracket).

- 1 Attach the wall bracket to the desired position on a load-bearing wall using appropriate screws and wall plugs for the type of wall.
- 2 Position the SMB wall bracket over the mounting points provided on the loudspeaker cabinet and have the appropriate SMB screws ready.
- 3 Tighten the SMB screws with a suitable screwdriver until the wall bracket is securely fastened to the speaker cabinet.
- 4 Ensure that you have the safety catch and the appropriate fastening screw readily available.
- 5 Attach one end of the safety catch to the wall bracket and the other end to the speaker cabinet at the mounting point using the safety catch screw.

## INSTALLATION FLOWN COX 8 MKII

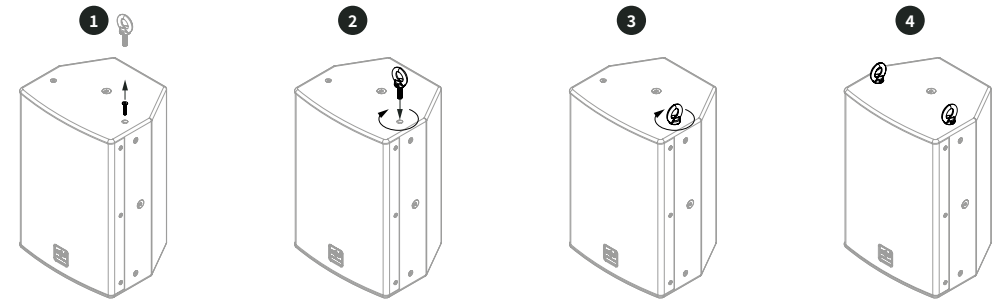


Figure 10. COX 8 MKII - Preparing for flown installation.

- 1 Remove the screwed-in countersink screw and have the eyebolt ready.
- 2 Screw in the eyebolt in the flying point thread.
- 3 Ensure that the eye bolt is correctly aligned so that the shackle is secure and free from torsion.
- 4 Continue with all other desired flight points. Use at least two eyebolts for load distribution and secure fastening and one eyebolt on the back for aligning the flown speaker.



Only use tested and approved rigging materials (shackles, ropes, screws, etc.) to fly the COX loudspeakers. Always adhere to the applicable specifications and standards. Observe the required safety factor.

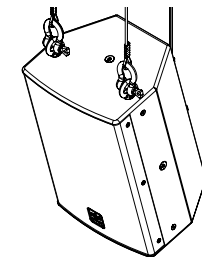


Figure 11. COX 8 MKII - Example of flown installation.

## INSTALLATION COX8 WB WALL MOUNT

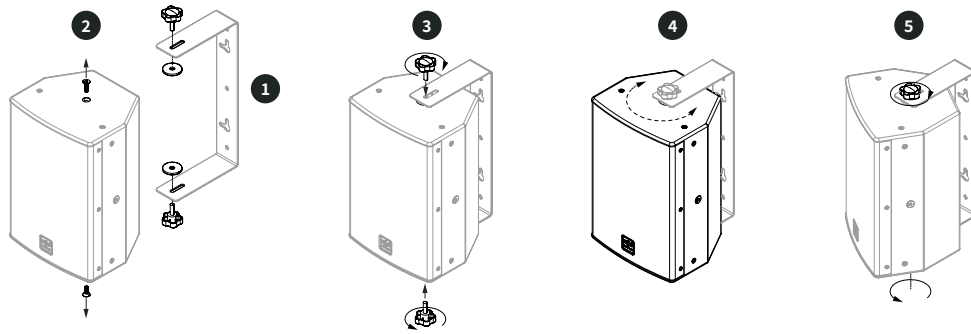


Figure 12. COX 8 MKII - COX 8 MKII - Installation with Wall Mount Bracket.

- 1 Attach the wall bracket to the desired position on a load-bearing wall using appropriate screws and wall plugs for the type of wall.
- 2 Prepare the knurled screws and washers and remove the countersink screw that is screwed in.
- 3 Position the loudspeaker cabinet between the arms of the WB wall bracket, ensuring that the mounting points align correctly with the slotted holes in the bracket. Place washers between the cabinet's mounting points and the slotted holes in the bracket. Insert the knurled screws through the slotted holes in the bracket, making sure they are guided through the washers. Tighten the knurled screws until the loudspeaker is securely fastened but can still be rotated.
- 4 Align the speaker to direct sound towards the desired area.
- 5 After aligning the speaker, tighten the knurled screws by hand and remember to attach the safety catch.

## INSTALLATION COX 12 MKII

The **COX 12 MKII** cabinet's design offers great versatility for different needs and applications. This coaxial loudspeaker can be used on the floor, standing, pole mounted, suspended or wall mounted.

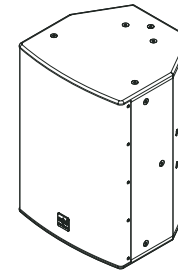


Figure 13. Vertically, as a stand-alone loudspeaker for full-range reinforcement.

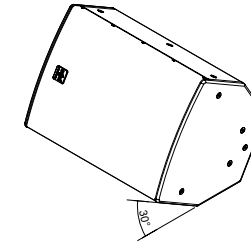


Figure 14. Horizontally, as floor stage monitor.

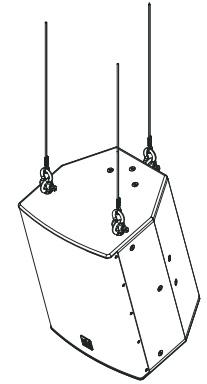


Figure 15. Hanged from the ceiling using the M8 screw threads.

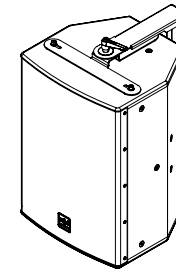


Figure 16. Flexible mounted using the WMB (Wall Mounting Bracket).

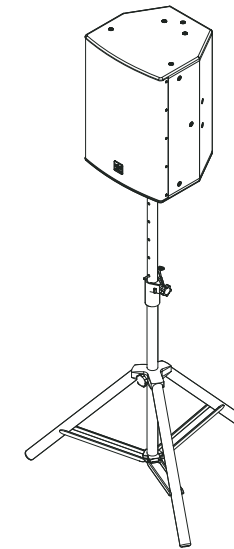


Figure 17. Mounted on top of a loudspeaker stand or a subwoofer using a speaker spacer rod.

## INSTALLATION COX 12 MKII ON A STAND

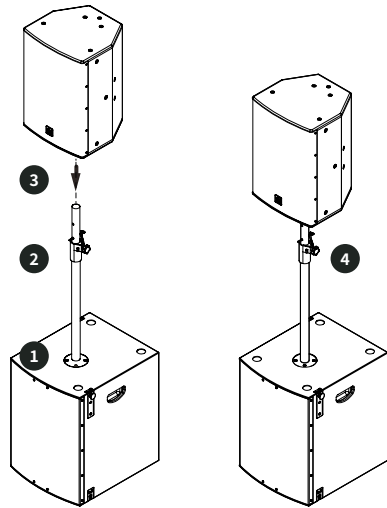


Figure 18. COX 12 MKII - Installation on top of a subwoofer.

- 1 Insert the speaker spacer rod into the mounting flange of the subwoofer
- 2 Set the desired height of the speaker spacer rod. Insert the speaker spacer rod into the mounting flange of the subwoofer
- 3 Place the speaker cabinet onto the spacer rod, ensuring that the 36mm socket on the underside of the housing is securely connected to the spacer rod.
- 4 Please check the assembly to ensure that the locking bolts have been inserted and secured.



If a subwoofer is not being used, a speaker stand can be used instead. It is important to follow the assembly instructions provided by the manufacturer of the speaker stand. Then, follow steps 2 to 4 as described.

## INSTALLATION FLOWN COX 12 MKII

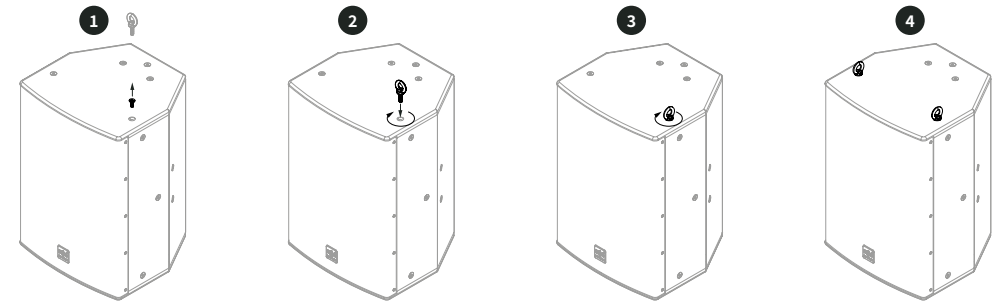


Figure 19. COX 12 MKII - Preparing for flown installation.

- 1 Remove the screwed-in countersink screw and have the eyebolt ready.
- 2 Screw in the eyebolt in the flying point thread.
- 3 Ensure that the eye bolt is correctly aligned so that the shackle is secure and free from torsion.
- 4 Continue with all other desired flight points. Use at least two eyebolts for load distribution and secure fastening and one eyebolt on the back for aligning the flown speaker.



Only use tested and approved rigging materials (shackles, ropes, screws, etc.) to fly the COX loudspeakers. Always adhere to the applicable specifications and standards. Observe the required safety factor.

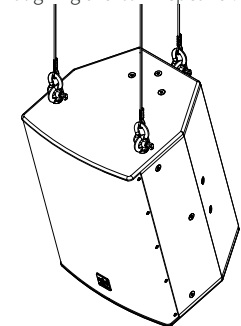


Figure 20. COX 8 MKII - Example of flown installation.

# INSTALLATION COX12 WB WALL MOUNT

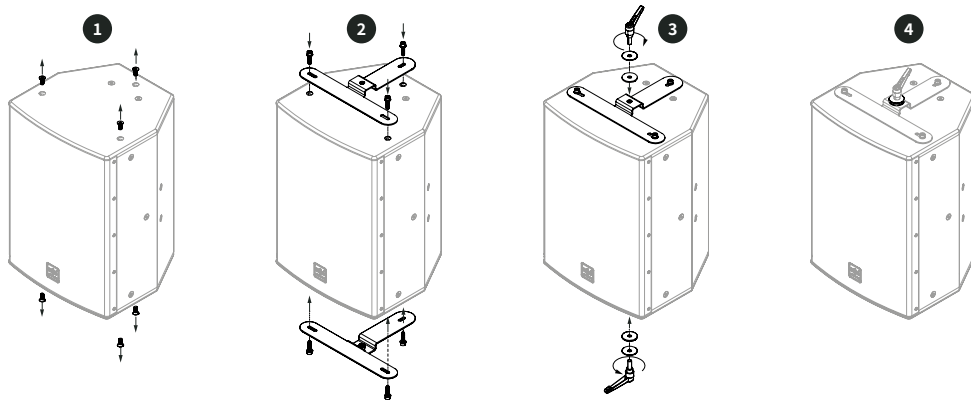


Figure 21a. COX 12 MKII - Installation with Wall Mount Bracket.

- 1 Prepare the handle screws and washers and remove the countersink screws that are screwed in.
- 2 Attach the mounting brackets to the top and bottom of the speaker cabinet as shown. Tighten the bracket with the appropriate screws.
- 3 Place a steel washer and then a silicone washer on the shaft of each handle screw. Tighten the handle screws loosely into the thread in the bracket.
- 4 Turn the handle screws additional 3 or 4 times to keep them in place

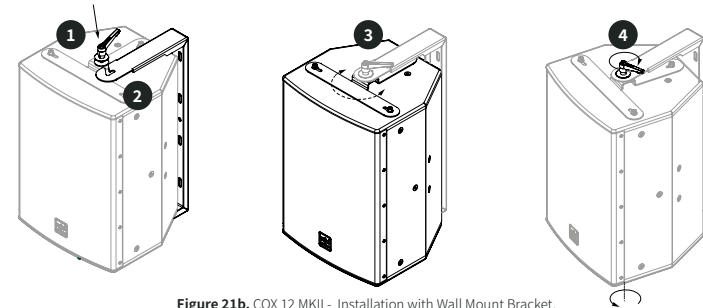


Figure 21b. COX 12 MKII - Installation with Wall Mount Bracket.

- 1 Push the silicone washer close to the cabinet's side panel, and the metal washer close to the handle screw, so the U-bracket arm can easily get between both washers.
- 2 Place the U-bracket over the left and right handle screws. Make sure the U-bracket arms have the silicone washer at the side of the loudspeaker cabinet, and the steel washer on the side of the handle screw. Tighten the handle screws loosely to keep the loudspeaker cabinet in position.
- 3 Make sure that the shaft of each handle screw is completely in the mounting recesses of the U-bracket. Align the speaker to direct the sound towards the desired area.
- 4 Once the speaker has been aligned, tighten the handle screws by hand until the speaker cabinet cannot be rotated any further. Remember to attach the safety catch.

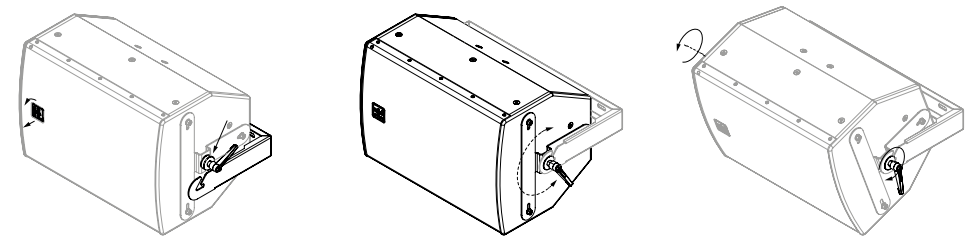


Figure 21c. COX 12 MKII - Installation with Wall Mount Bracket.



When aligning and mounting horizontally, ensure that the wall bracket's opening for holding the clamping lever faces upwards to prevent it from slipping out.



Make sure to use the appropriate mounting materials to attach the wall bracket to the desired position on a load-bearing wall.

## INSTALLATION OPTIONS

	COX 8 MKII	COX 12 MK II
<b>INSTALLATION</b>		
<b>Vertically</b> , as a stand-alone loudspeaker for full-range reinforcement or in combination with separately positioned subwoofers.	✓	✓
<b>Horizontally</b> , as floor stage monitor (30°). Works also great on top of a subwoofer to build a monitoring stack.	✓	✓
<b>Hanged from the ceiling</b> using the M-screw threads..	✓	✓
<b>Wall mounted</b> using the Wall Mounting Bracket.	✓	✓
<b>Wall mounted</b> using the SMB (Smart Mounting Bracket).	✓	✗
<b>Mounted on top of a subwoofer</b> (loudspeaker stand or speaker distance rod).	✗	✓

## SPECIFICATIONS COX 8 MKII

### TECHNICAL SPECIFICATIONS

COX 12 MKII	
<b>ACOUSTICAL</b>	
Frequency range (+3 dB) <sup>1</sup>	102 Hz - 16 kHz
Frequency range (-10 dB) <sup>1</sup>	74 Hz - 20 kHz
Coverage angles (-6 dB) [H x V] <sup>2</sup>	114° x 100°
Mean Coverage angles (-6 dB) [H x V] <sup>3</sup>	122° x 116°
Nominal impedance	8 Ω
Sensitivity <sup>4</sup>	96 dB
Peak power	1,000 W
Continuous power <sup>4</sup>	250 W
Maximum Peak SPL <sup>5</sup>	132 dB
System type	2-way coaxial system
Crossover frequency	1.9 kHz
Transducers	Coaxial driver with: LF: 1 x 8" driver (2" voice coil) HF: 1x 1.75" PEN compression driver
Enclosure type	Vented box
Connectors	Neutrik speakON® NL4 Phoenix 4-Pin Verbinder MSTB
Wiring	speakON® NL4; Pins 1+ / 1- : driver; Pins 2+ / 2- : N.C. Phoenix: Pins 1+ / 1- : driver; Pins 2+ / 2- : link
<b>MECHANICAL</b>	
Product dimensions [H x W x D]	352 x 240 x 208 mm
Weight	7.8 kg
Packaging dimensions [H x W x D]	460 x 342 x 310 mm
Total weight	9.1 kg
Cabinet	12 mm plywood
Cabinet finishing	Black polyurea coating
Grille	Powder coated perforated steel
Rigging	6x M8 rigging points: 1 on the top, 3 on the bottom, 1 on each side 6x M5 rigging points: 2 on the top, 2 on each side, 2 on the bottom 1x mounting point for SMB bracket on rear side
<b>ACCESSORIES</b>	
Wall Mounting Bracket	COX8 WB
Smart Mounting Bracket	SMB

<sup>1</sup> Full space, 1W / 1m, on axis

<sup>2</sup> Coverage angles at 4 kHz

<sup>3</sup> Coverage angles mean value (800 Hz - 6 kHz)

<sup>4</sup> According to EIA-426B Standard (based on RMS Voltage)

<sup>5</sup> Max Peak SPL = Sensitivity + 10log10(Continuous Power) + 12 dB Crest Factor

All product specifications are subject to change without notice.

## MECHANICAL DRAWINGS

The **COX 8 MKII** cabinet's design offers great versatility for different needs and applications:

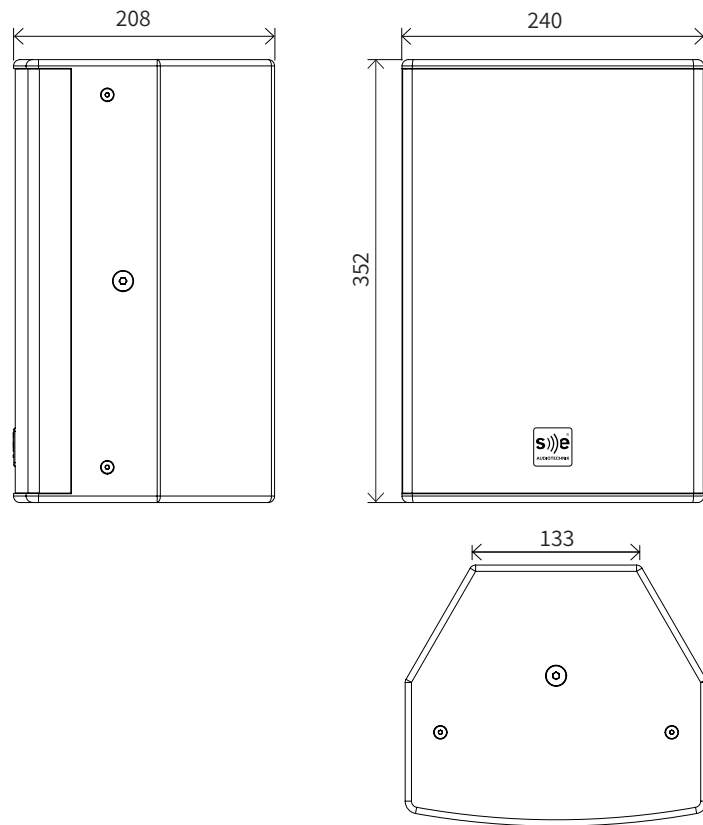


Figure 22. COX 8 MKII views and dimensions. Annotations given in millimeters.

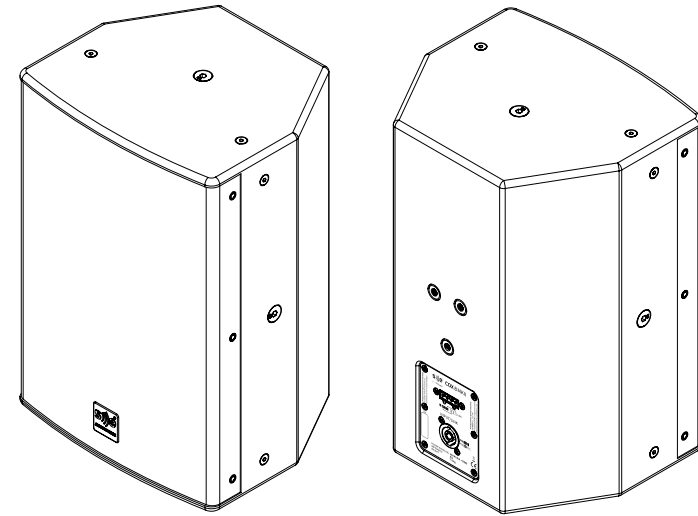


Figure 23. COX 8 MKII isometric views.

# SPECIFICATIONS COX 12 MKII

## TECHNICAL SPECIFICATIONS

COX 12 MKII	
<b>ACOUSTICAL</b>	
Frequency range (+3 dB) <sup>1</sup>	134 Hz - 17 kHz
Frequency range (-10 dB) <sup>1</sup>	52 Hz - 20 kHz
Coverage angles (-6 dB) [H x V] <sup>2</sup>	70° x 74°
Mean Coverage angles (-6 dB) [H x V] <sup>3</sup>	96° x 92°
Nominal impedance	8 Ω
Sensitivity <sup>4</sup>	98 dB
Peak power	1,600 W
Continuous power <sup>4</sup>	400 W
Maximum Peak SPL <sup>5</sup>	136 dB
System type	2-way coaxial system
Crossover frequency	1.3 kHz
Transducers	Coaxial driver with: LF: 1 x 12" driver (3" voice coil) HF: 1" PEN compression driver (1.7" voice coil)
Enclosure type	Vented box
Connectors	Neutrik speakON® NL4 Phoenix 4-Pin Verbinder MSTB
Wiring	speakON® NL4; Pins 1+ / 1- : driver; Pins 2+ / 2- : N.C. Phoenix; Pins 1+ / 1- : driver; Pins 2+ / 2- : link
<b>MECHANICAL</b>	
Product dimensions [H x W x D]	520 x 370 x 350 mm
Weight	19.5 kg
Packaging dimensions [H x W x D]	633 x 470 x 450 mm
Total weight	22 kg
Cabinet	15 mm plywood
Cabinet finishing	Black polyurea coating
Grille	Powder coated perforated steel
Hardware	1x rear handle embedded in cabinet 1 x bottom 36 mm socket for pole mounting
Rigging	5 x M8 for mounting on top and sides 3 x M8 for mounting at the bottom 2 x M8 for mounting on the rear
<b>ACCESSORIES</b>	
Wall Mounting Bracket	COX12 WB

<sup>1</sup> Full space, 1W / 1m, on axis

<sup>2</sup> Coverage angles at 4 kHz

<sup>3</sup> Coverage angles mean value (800 Hz - 6 kHz)

<sup>4</sup> According to EIA-426B Standard (based on RMS Voltage)

<sup>5</sup> Max Peak SPL = Sensitivity + 10log10(Continuous Power) + 12 dB Crest Factor

All product specifications are subject to change without notice.

## MECHANICAL DRAWINGS

The **COX 12 MKII** cabinet's design offers great versatility for different needs and applications:

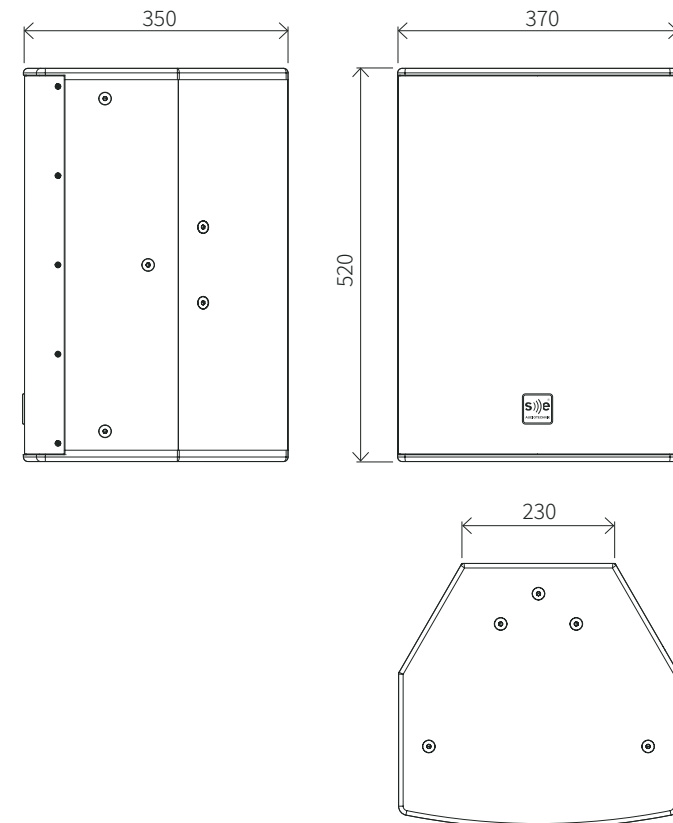


Figure 24. COX 12 MKII views and dimensions. Annotations given in millimeters.

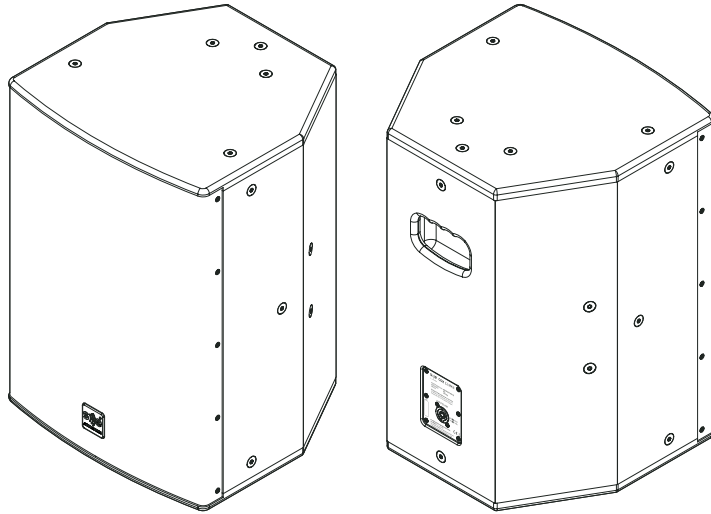


Figure 25. COX 12 MKII isometric views.

## MANUFACTURER'S DECLARATIONS

### WARRANTY

SE AUDIOTECHNIK gives a warranty of 4 years on SE AUDIOTECHNIK products. The warranty period begins with the purchasing date. The warranty applies to material or production defects that occur. Defective components or products will be repaired or replaced free of charge by SE AUDIOTECHNIK at its own sole and exclusive discretion during the warranty period.

### NOTE

SE AUDIOTECHNIK does not guarantee the uninterrupted and fault-free operation of the products.

#### The warranty does not apply:

- For wear parts and natural abrasion.
- For damage, defects or malfunctions caused by improper use or use for other than the intended purpose.
- For damage, defects and malfunctions caused by the use of force or environmental conditions.
- For unauthorized repair efforts.

### REQUESTING WARRANTY SERVICES

The request for warranty service can be submitted to SE AUDIOTECHNIK or to the dealer from whom the SE AUDIOTECHNIK products were purchased.

In order to claim warranty service, you must provide proof of purchase and allow SE AUDIOTECHNIK to examine the warranty claim (e.g. sending in the products, examination at an authorized partner). Without proof of purchase, the provision of a warranty service can be rejected.

### IMPORTANT NOTE

Your statutory warranty rights are not affected by this warranty. Furthermore, this warranty has no influence on any agreements you may have concluded with a dealer.

### LIMITATION OF LIABILITIES

SE AUDIOTECHNIK is not liable for personal injury, material damage or claims resulting from inappropriate, dangerous or incorrect use of the products.

### DECLARATION OF CONFORMITY

This device complies with the essential requirements and other relevant specifications of the directives of the countries in which the product is sold. The detailed declaration and the list of these directives and harmonized standards are provided on the website <https://se-audiotechnik.de> or <https://se-audiotechnik.com>. Included are all product variants, as long as they comply with the original technical design and have not been subsequently modified mechanically, electrically or in their original condition.

### CORRECT DISPOSAL OF PRODUCTS (ELECTRICAL WASTE)

SE AUDIOTECHNIK products must not be disposed of with other waste at the end of their service life to avoid possible harm to the environment or human health.

Private users can contact either the dealer from whom they purchased the products or the local authority for information on environmentally friendly disposal. Commercial users can contact their supplier, if they have any questions about disposal.

### DECLARATION ON WEEE POLICY

SE AUDIOTECHNIK products are designed and manufactured with high quality materials and components that are intended to be recyclable and/or reusable.

SE AUDIOTECHNIK is WEEE registered in accordance with WEEE policy.

### LICENSES AND COPYRIGHT

SE AUDIOTECHNIK products may directly or indirectly contain software that is necessary or complementary for their use. These software components may be SE AUDIOTECHNIK own developments or licensed and open-source products and solutions or a combination of the mentioned. In the case of open-source licenses, SE AUDIOTECHNIK will provide a copy of the source code and the full text of the corresponding license upon request in accordance with the license terms. Excluded from this and protected by copyright are own and licensed software solutions and software components.



**S))E AUDIOTECHNIK**

**GERMANY**

Neuenhofer Strasse 42-44  
42657 Solingen, Germany  
Tel.: +49 212 – 38226 – 0  
eMail: [info@se-audiotechnik.de](mailto:info@se-audiotechnik.de)

**ASIA-PACIFIC DEVELOPMENT CENTER**

No. 8 Development Zone Road  
Huimin Sub-district, Jiashan County, Zhejiang, 314112, P.R. China  
Tel.: +86 400 – 109 – 1122  
eMail: [service@se-audiotechnik.com](mailto:service@se-audiotechnik.com)

[www.se-audiotechnik.de](http://www.se-audiotechnik.de)  
[www.se-audiotechnik.com](http://www.se-audiotechnik.com)



Designed in Germany

**Version 2024/03**

S))E AUDIOTECHNIK, all rights reserved. The technical data and the functional product characteristics can be subject to modifications. The photocopying, translation, and all other forms of copying of fragments or of the integrity of this user's manual is prohibited.

© 2024 S))E AUDIOTECHNIK is a registered trademark of Speaker Electronic (Jia Shan) Co. Ltd.

EASE® is a registered trademark of AFMG Technologies GmbH.  
Neutrik® and powerCON® are registered trademarks of Neutrik AG.