

TT 515-A

PROFESSIONAL ACTIVE SPEAKER

DESCRIPTION

Flexibility, power, and compactness make the TT 515-A ideal for installed and portable professional applications where size and weight are critical factors. This approach combines the advantages of TT+ technology such as controlled dispersion, outstanding clarity and extreme power, multiple flexible rigging accessories, weatherproof protection, and RDNET real-time monitoring and management software with recallable presets. Its transducer configuration pairs two custom-loaded 5-inch cone drivers to a rotatable CMD waveguide surrounding a titanium 1.75-inch high-frequency compression driver. Whether it's used as a compact main system, as fills, or surrounds in a larger system, TT 515-A is quick to deploy and fast to tune.

FEATURES

- 127 dB max SPL
- 100° x 70° coverage
- LF 2 x 5" neodymium woofer, 2" voice coil
- HF 1.75" titanium comp. driver
- 2 x Class-D amplifiers, 1000 Watts RMS total power
- 70 – 20.000 Hz frequency range
- RDNet on board
- FiRPHASE and Bass Motion Control

TECHNICAL SPECIFICATIONS

Acoustical specifications	Frequency Response:	70 Hz ÷ 20000 Hz
	Max SPL @ 1m:	127 dB
	Horizontal coverage angle:	100°
	Vertical coverage angle:	70°
Transducers	Compression Driver:	1 x 1.0" neo, 1.75" v.c
	Woofers:	2 x 5.0" neo, 2.0" v.c
Input/Output section	Input signal:	bal/unbal
	Input connectors:	XLR, RDNet Ethercon
	Output connectors:	XLR, RDNet Ethercon
	Input sensitivity:	-2 dBu/+4 dBu
Processor section	Crossover Frequencies:	1200
	Protections:	Excurs.
	Limiter:	Fast Limiter
	Controls:	Bypass, Linear/High Pass, Volume, RDnet on board
	RDNet:	Yes
Power section	Total Power:	2000 W Peak, 1000 W RMS
	High frequencies:	600 W Peak, 300 W RMS
	Low frequencies:	1400 W Peak, 700 W RMS
	Cooling:	Convection
	Connections:	Powercon IN/OUT
Standard compliance	CE marking:	Yes
Physical specifications	Cabinet/Case Material:	Baltic birch plywood
	Hardware:	2X M10 TOP AND BOTTOM 2X PIN D.10
	Handles:	2 TOP AND BOTTOM
	Grille:	Steel
	Color:	Black
Size	Height:	456 mm / 17.95 inches
	Width:	154 mm / 6.06 inches
	Depth:	237.5 mm / 9.35 inches
	Weight:	9.8 kg / 21.61 lbs
Shipping informations	Package Height:	510 mm / 20.08 inches
	Package Width:	290 mm / 11.42 inches
	Package Depth:	200 mm / 7.87 inches
	Package Weight:	11.3 kg / 24.91 lbs



PART NUMBER

• **13000719**

TT 515-A

115V

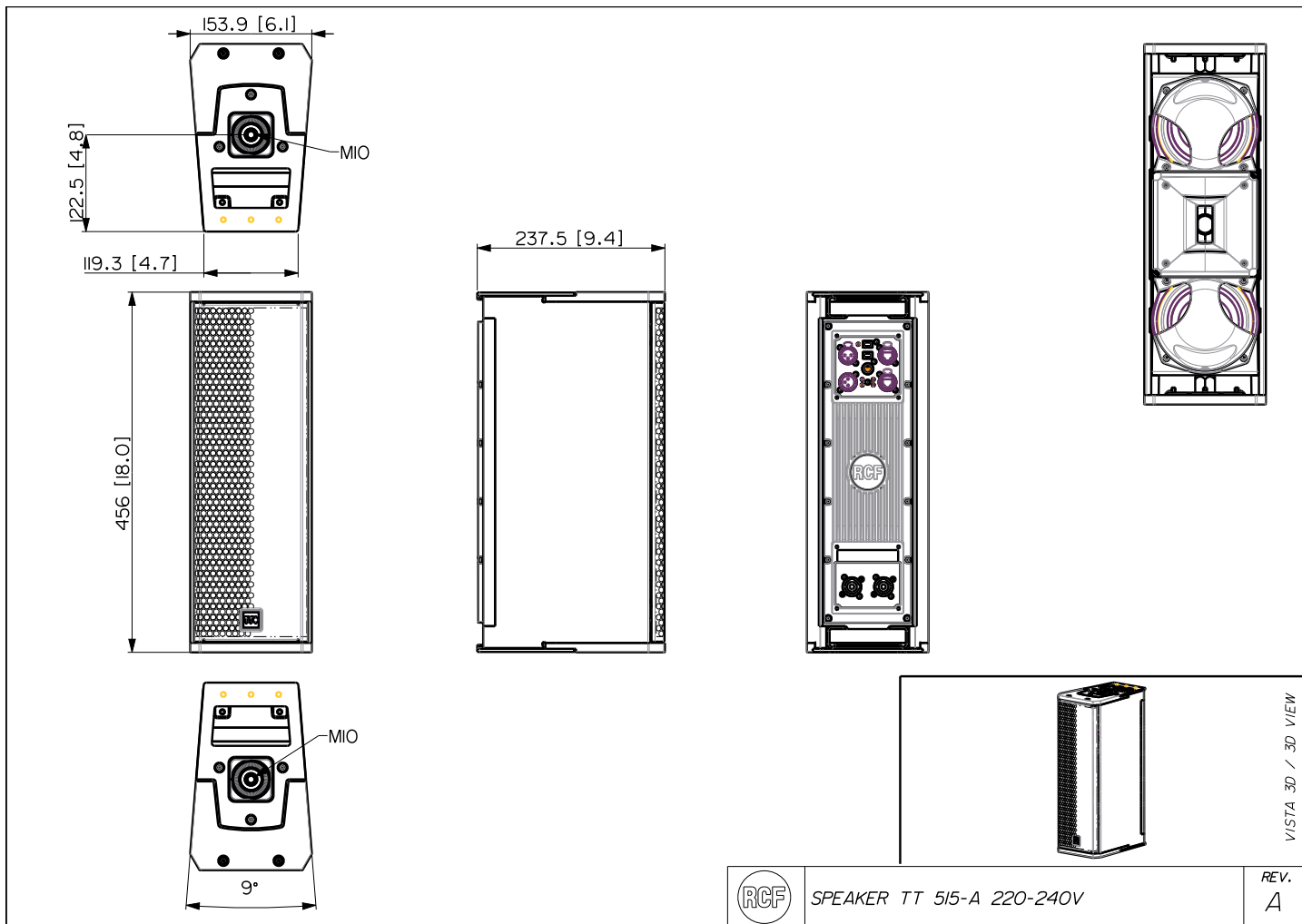
EAN 8024530019594

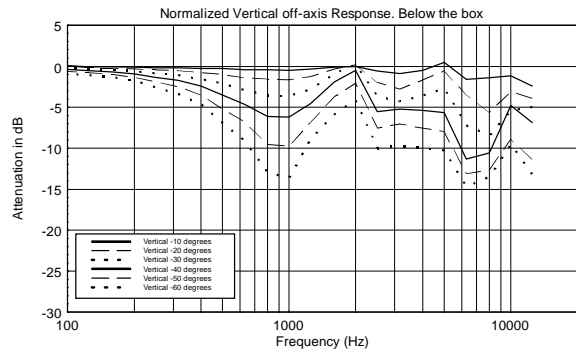
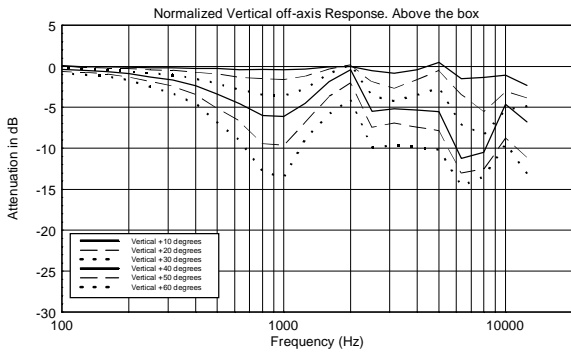
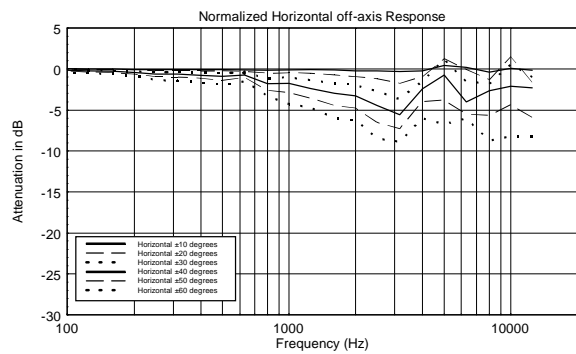
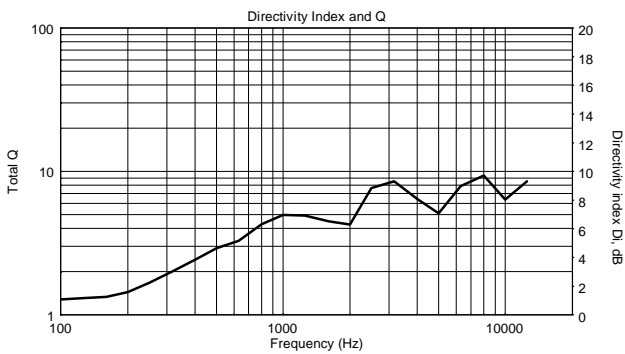
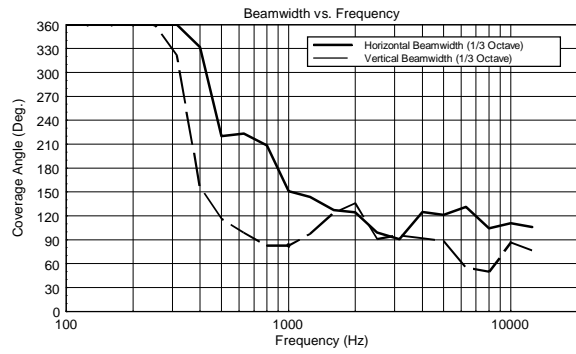
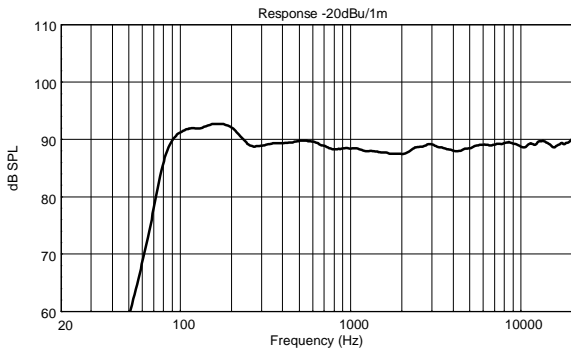
• **13000686**

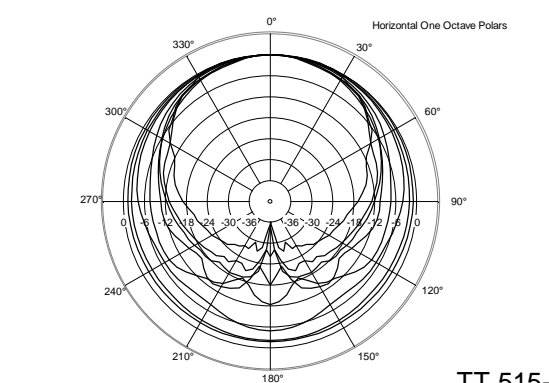
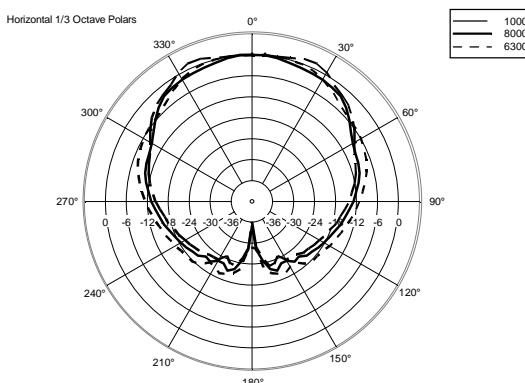
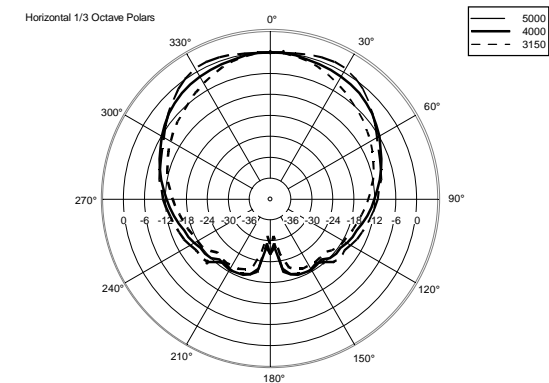
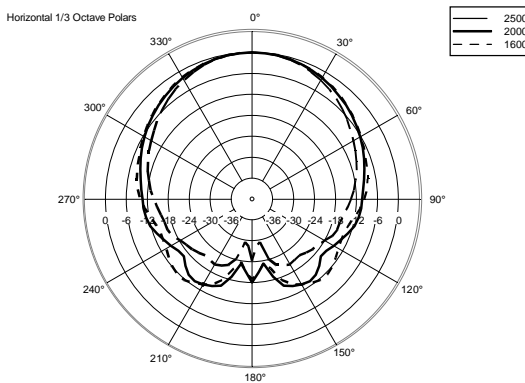
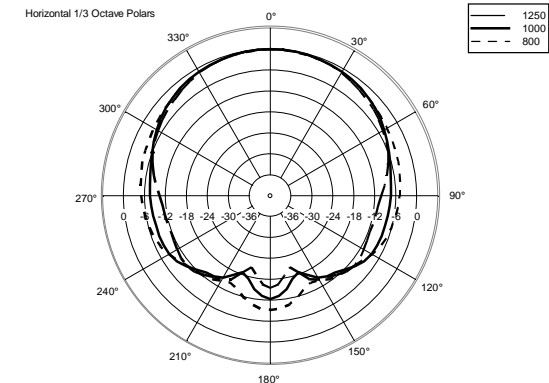
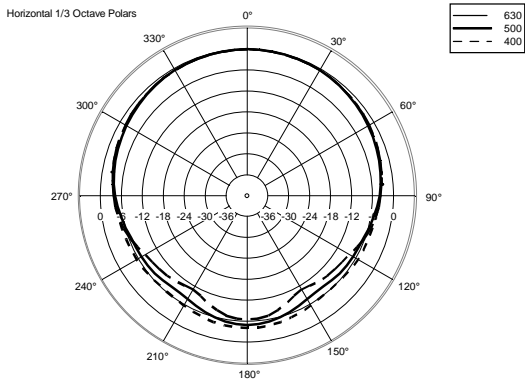
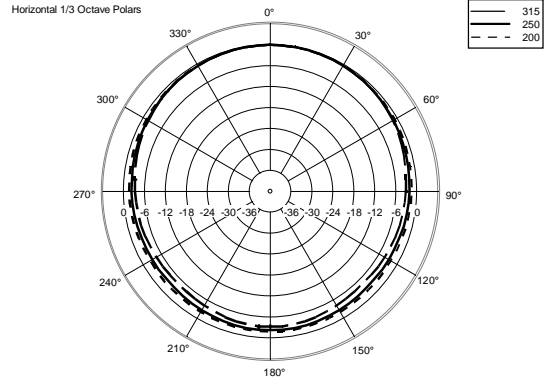
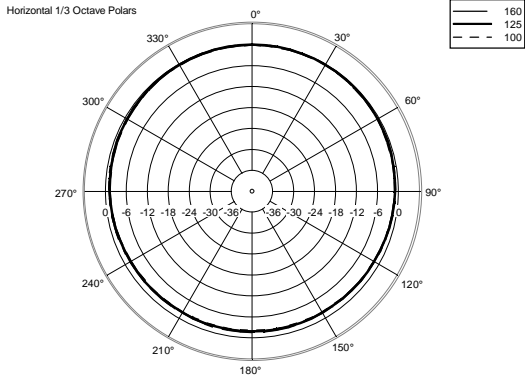
TT 515-A

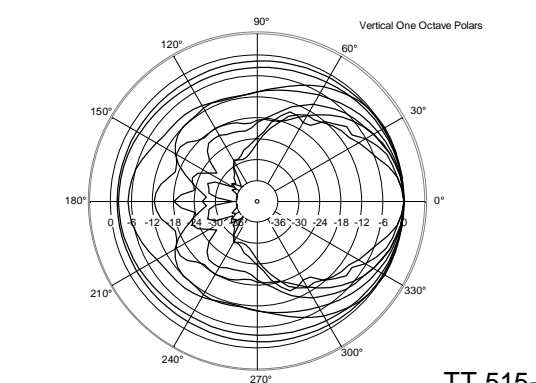
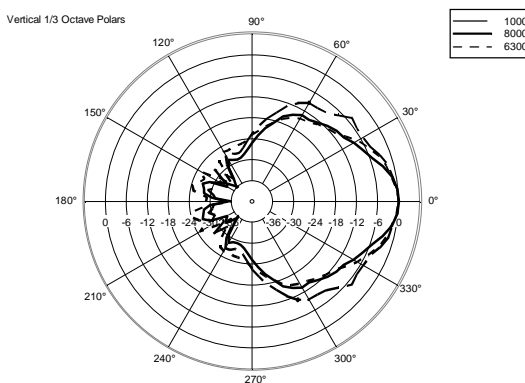
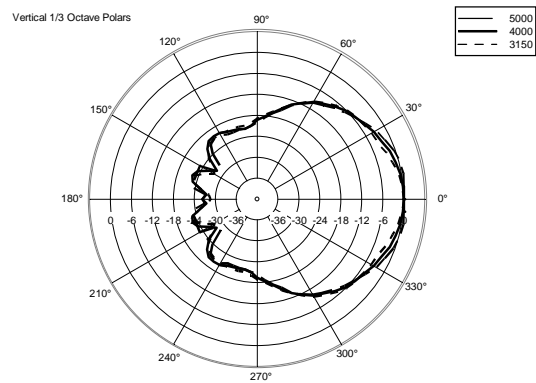
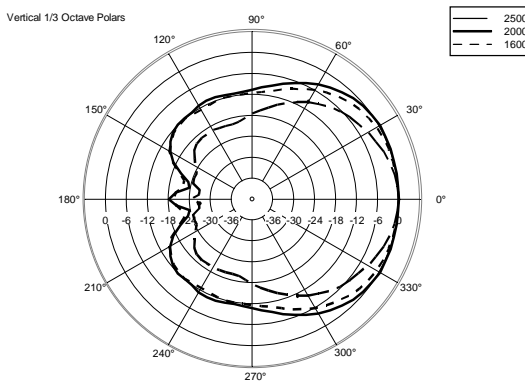
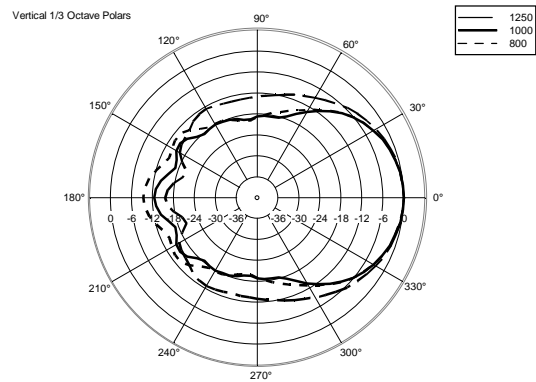
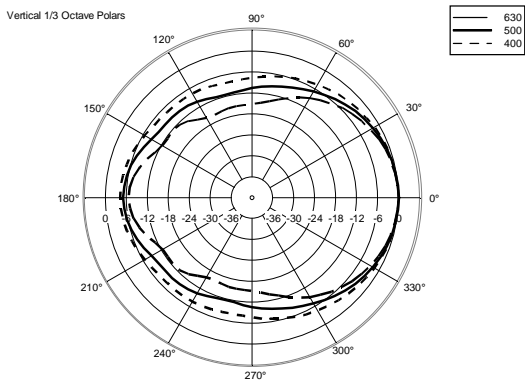
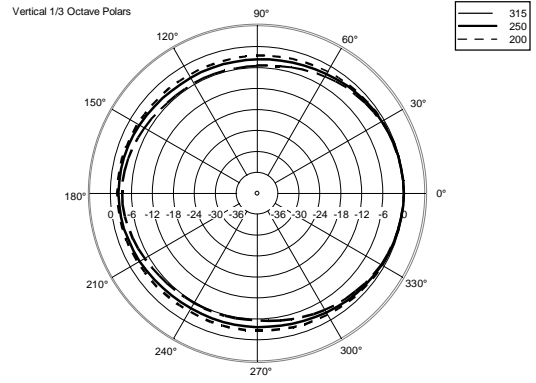
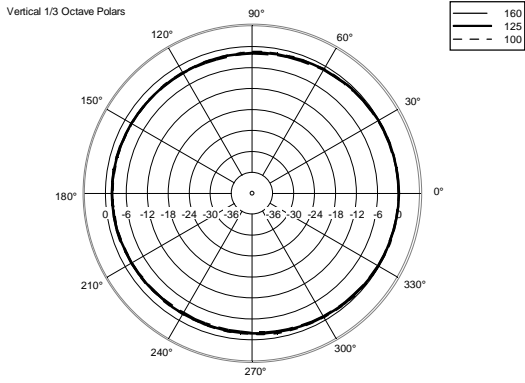
220-240V

EAN 8024530019471


















ACCESSORIES

	AC PMA - POLE MOUNT	PART NUMBER EAN:	13360034 8024530007713
	AC PM-M20	PART NUMBER EAN:	13360067 8024530014599
	AC PMX POLE MOUNT M20	PART NUMBER EAN:	13360232 8024530010058
	AC PRO-FS PROFESS. LOCKING FLOOR STAND	PART NUMBER EAN:	13360109 8024530006471
	AC PRO-PM PROFESS. LOCKING POLE MOUNT	PART NUMBER EAN:	13360110 8024530006488
	COVER CVR TT 515	PART NUMBER EAN:	13360482
	FLYING BRACKET FL-BR TT 515	PART NUMBER EAN:	13360485 8024530018924
	HORIZONTAL BRACKET H-BR TT 515	PART NUMBER EAN:	13360459 8024530018948
	POLE MOUNT KIT PM-KIT TT 515	PART NUMBER EAN:	13360458 8024530018955



RAIN PROTECTION RP 1X HDL 6

PART NUMBER **13360381**
EAN: 8024530015169



VERTICAL BRACKET V-BR TT 515

PART NUMBER **13360484**
EAN: 8024530018931
