

SUB 9006-AS

ACTIVE HIGH POWER SUBWOOFER

DESCRIPTION

The SUB 9006-AS is one of the most powerful 2x18" subwoofers in the field of live sound. Featuring two high-power hyper-vented 18" neodymium woofers with 4.0" inside-outside voice coils, this cabinet delivers a serious amount of low frequencies. Powered by a 7200 W digital amplifier, the SUB 9006-AS can perform in the most demanding situations. The housing of the SUB 9006-AS matches the RCF D-Line HDL50-A and HDL10-A array systems, enabling to build stacked systems in a perfect combination.



FEATURES

- 7200 Watt Peak power - 3600 Watt RMS
- 142 dB max SPL
- 30 Hz - 400 Hz frequency response
- 2 x 18" Woofer
- DSP controlled Input section with selectable presets
- RDNet remote control
- Delay control
- Baltic birch cabinet

TECHNICAL SPECIFICATIONS

Acoustical specifications	Frequency Response:	30 Hz ÷ 400 Hz
	Max SPL @ 1m:	142 dB
Transducers	Woofers:	2 x 18" neo, 4.0" v.c
Input/Output section	Input signal:	bal/unbal
	Input connectors:	XLR, RDNet Ethercon
	Output connectors:	XLR, RDNet Ethercon
	Input sensitivity:	+4 dBu
Processor section	Hi-Pass Frequencies:	30Hz, 40Hz
	Low-Pass Frequencies:	Variable from 50Hz to 400Hz
	Protections:	Thermal, RMS
	Limiter:	Fast Limiter
	Controls:	Gain, EQ, Preset, Phase switch, Output Delay Settings
	RDNet:	Yes
Power section	Total Power:	7200 W Peak, 3600 W RMS
	Low frequencies:	7200 W Peak, 3600 W RMS
	Cooling:	Convection/Forced
	Connections:	Powercon IN/OUT
Standard compliance	CE marking:	Yes
Physical specifications	Cabinet/Case Material:	Baltic birch plywood
	Hardware:	2 x M20
	Handles:	8 side
	Grille:	Steel
	Color:	Black
Size	Height:	558 mm / 21.97 inches
	Width:	1188 mm / 46.77 inches
	Depth:	785 mm / 30.91 inches
	Weight:	86 kg / 189.6 lbs
Shipping informations	Package Height:	600 mm / 23.62 inches
	Package Width:	835 mm / 32.87 inches
	Package Depth:	1230 mm / 48.43 inches
	Package Weight:	92 kg / 202.83 lbs



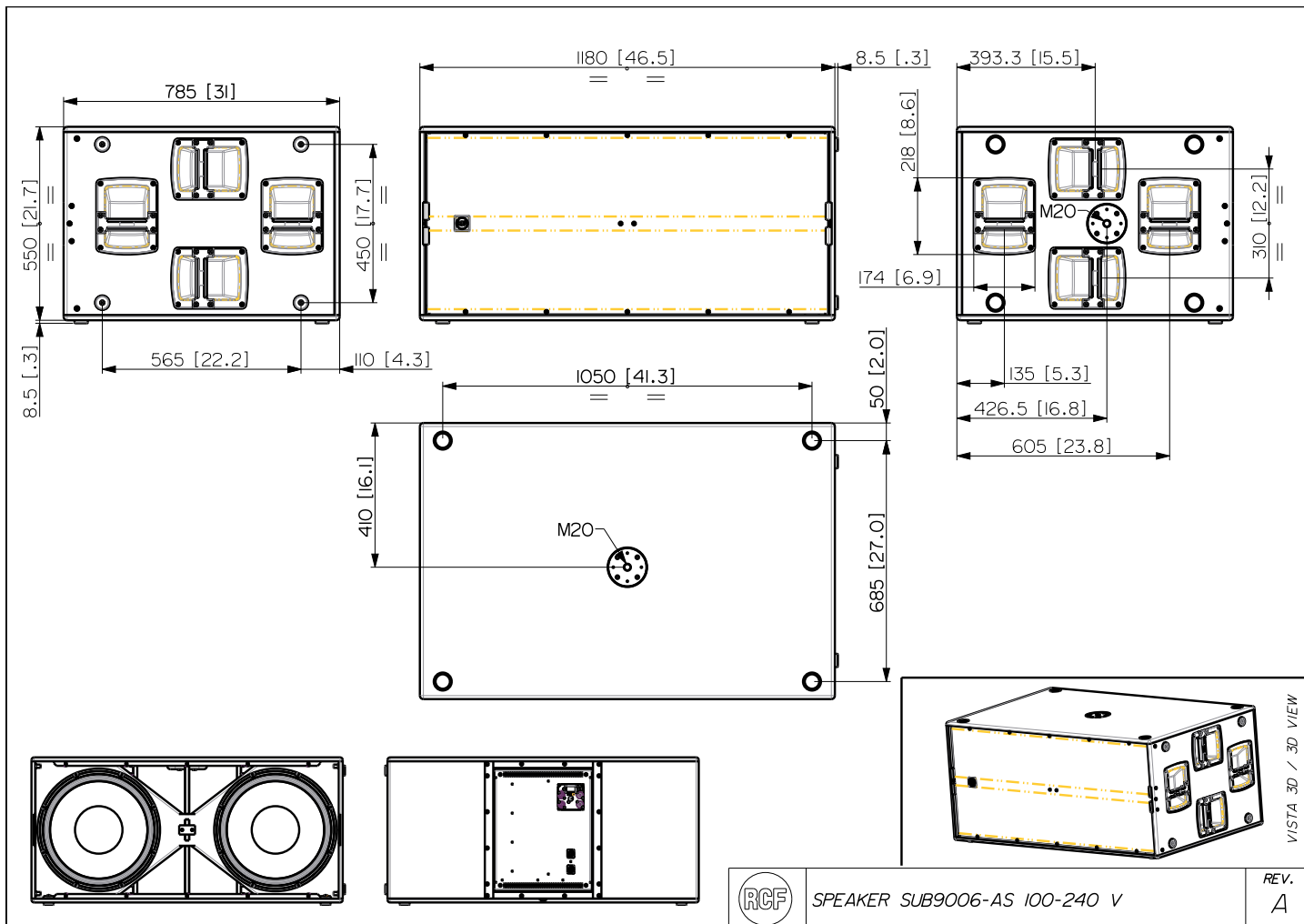
PART NUMBER

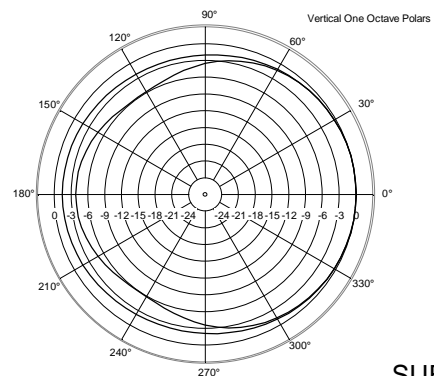
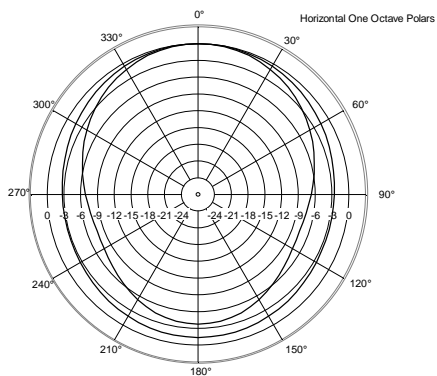
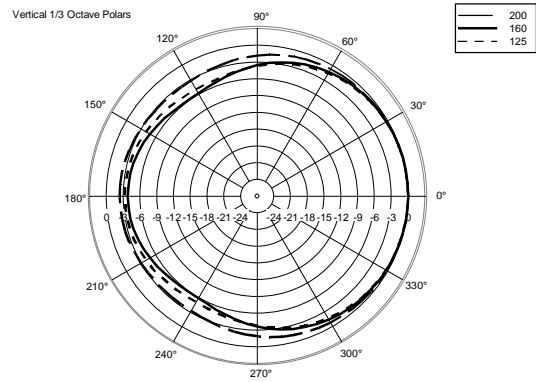
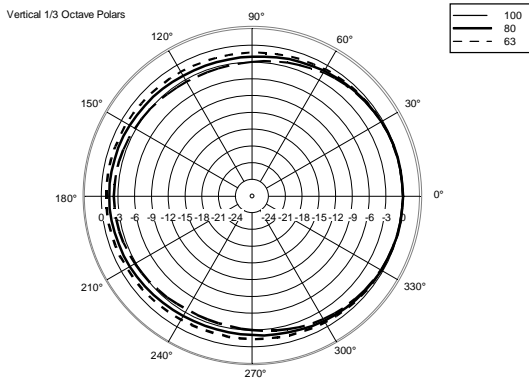
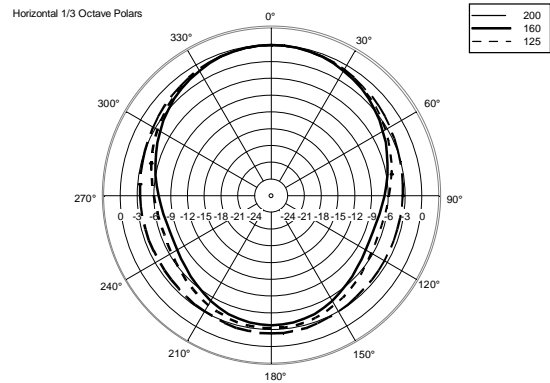
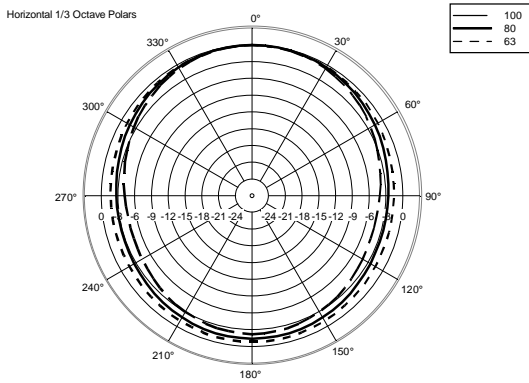
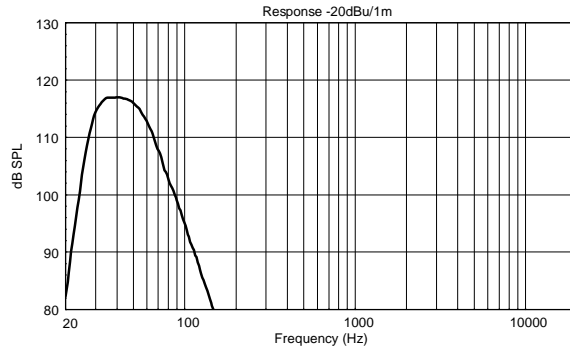
- **13000494**

SUB 9006-AS

90-240V

EAN 8024530014148







ACCESSORIES

RAIN PROTECTION RP 1X SUB 9006

PART NUMBER: **13360362**

EAN: 8024530013783
