

# HD 10-A MK5

## ACTIVE TWO-WAY SPEAKER

### DESCRIPTION

HD 10-A mk5 active speaker boosts performance with a high-power professional 10" woofer and a 1.0" HF driver, an 800W 2ch Class-D amplifier, and innovative FiRPHASE and Bass Motion Control processing. Vocals are natural, the sound is clear at long distances, SPL power is stable at very high levels. The strength of HD series speakers comes from decades of experience building gear for the touring industry, equipping this compact cabinet with power and reliability expected for life on the road. Elegantly designed, the lightweight polypropylene cabinet with internal reinforcement offers maximum strength. The speaker also includes a steel pole mount, threaded inserts for rigging, and rubber handgrips. D-LINE offers working DJs and musicians professional sound designed with music in mind.



### FEATURES

- 128 dB Max SPL
- 800 Watts 2-way amplifier
- DSP Processing with FiRPHASE and Bass Motion Control
- 1.0" HF driver
- 10" woofer, high power, 2.0" voice coil
- 90° x 60°, wide dispersion constant directivity horn
- Silent Fan-less Class-D Amplifier
- Mylar/Ferrite driver - Kapton former coil

## TECHNICAL SPECIFICATIONS

<b>Acoustical specifications</b>	Frequency Response:	50 Hz ÷ 20000 Hz
	Max SPL @ 1m:	128 dB
	Horizontal coverage angle:	90°
	Vertical coverage angle:	60°
<b>Transducers</b>	Compression Driver:	1 x 1.0", 1.0" v.c
	Woofers:	10", 2.0" v.c
<b>Input/Output section</b>	Input signal:	bal/unbal
	Input connectors:	XLR, Jack
	Output connectors:	XLR
	Input sensitivity:	-2 dBu/+4 dBu
	Mic. Input Sensitivity:	-32 dBu
<b>Processor section</b>	Crossover Frequencies:	2000 Hz
	Protections:	Thermal, RMS
	Limiter:	Soft Limiter
	Controls:	Boost, Volume, Mic/Line
<b>Power section</b>	Total Power:	800 W Peak, 400 W RMS
	High frequencies:	200 W Peak, 100 W RMS
	Low frequencies:	600 W Peak, 300 W RMS
	Cooling:	Convection
	Connections:	VDE
<b>Standard compliance</b>	CE marking:	Yes
<b>Physical specifications</b>	Cabinet/Case Material:	PP Composite
	Hardware:	1 x M10 top, 1 x M10 bottom
	Handles:	1 Top, 1 Side
	Pole mount/Cap:	Yes
	Grille:	Steel
	Color:	Black
<b>Size</b>	Height:	527 mm / 20.75 inches
	Width:	303 mm / 11.93 inches
	Depth:	303 mm / 11.93 inches
	Weight:	11.8 kg / 26.01 lbs
<b>Shipping informations</b>	Package Height:	640 mm / 25.2 inches
	Package Width:	400 mm / 15.75 inches
	Package Depth:	380 mm / 14.96 inches
	Package Weight:	14.3 kg / 31.53 lbs



**PART NUMBER**

• **13000676**

HD 10-A MK5

115V

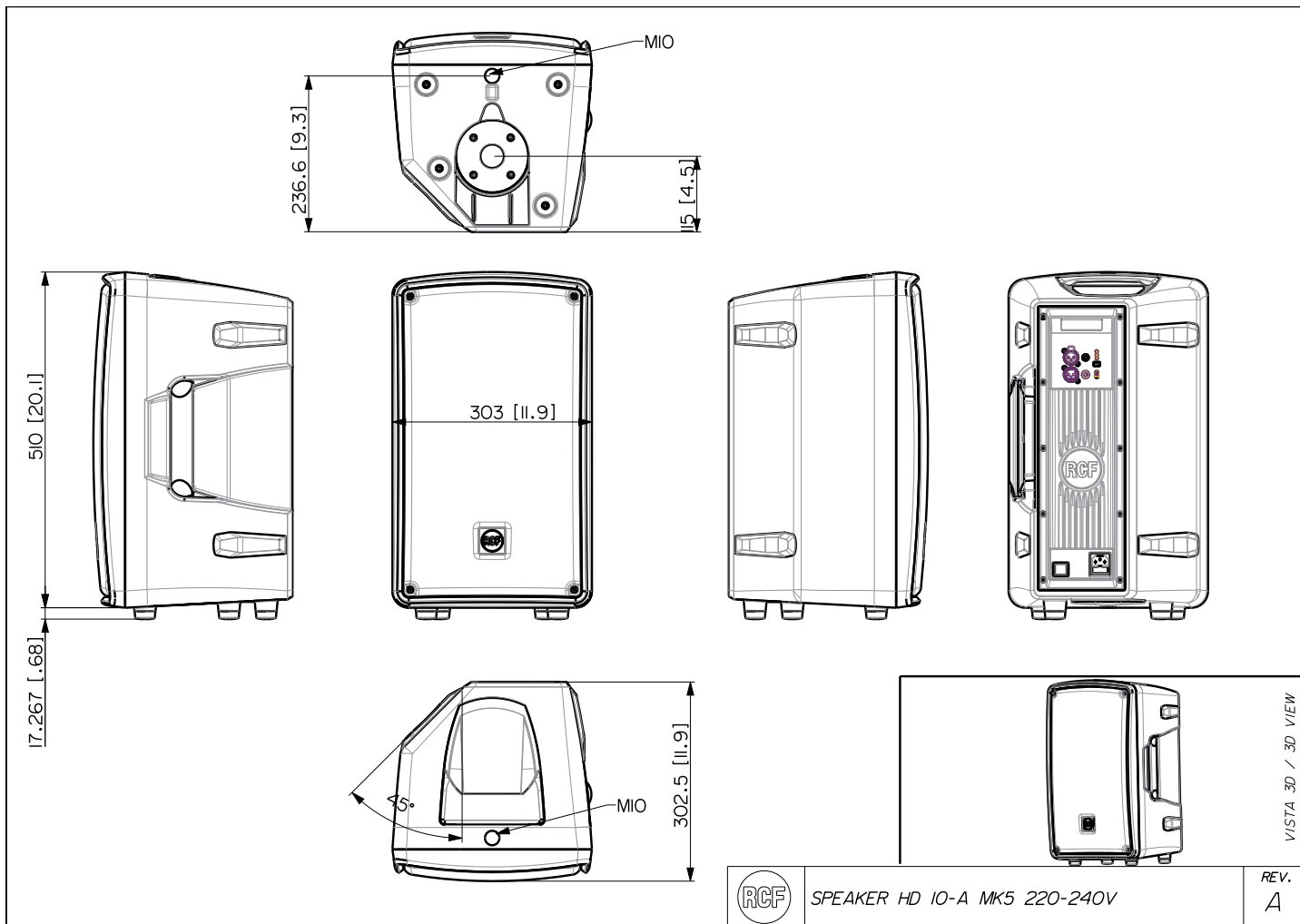
EAN 8024530019518

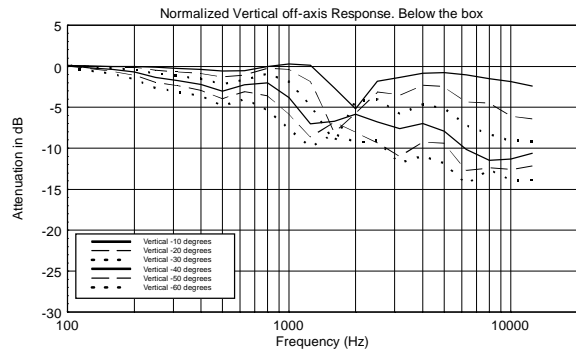
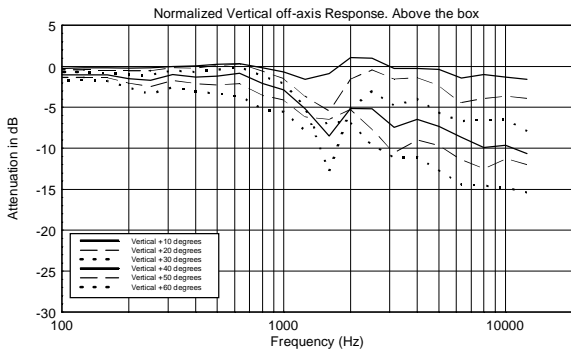
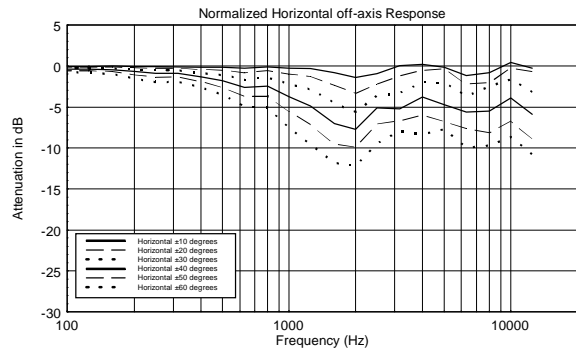
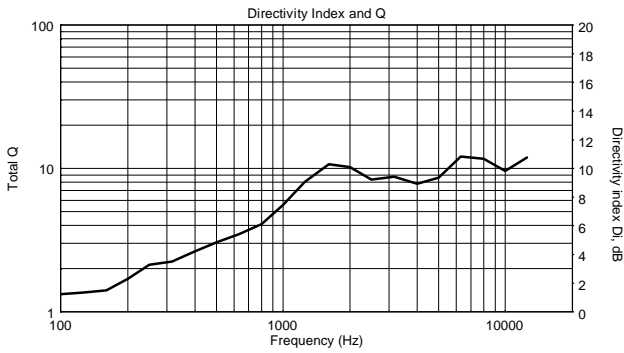
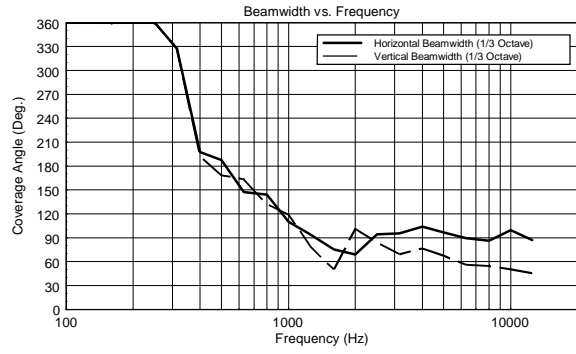
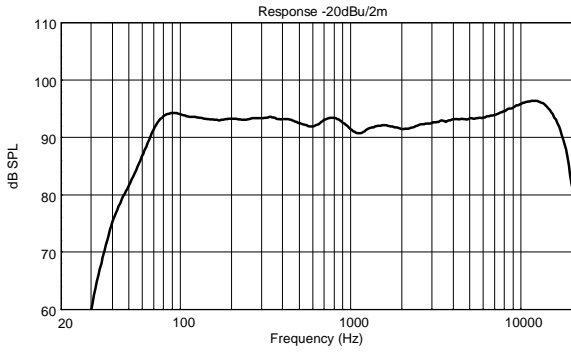
• **13000659**

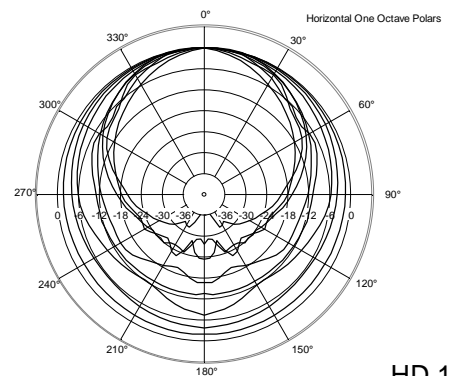
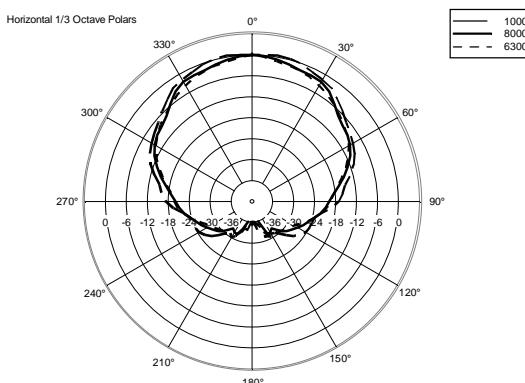
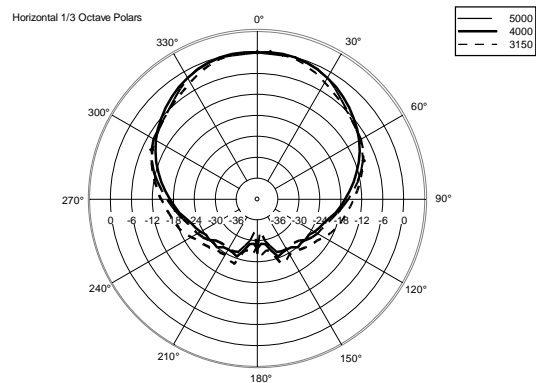
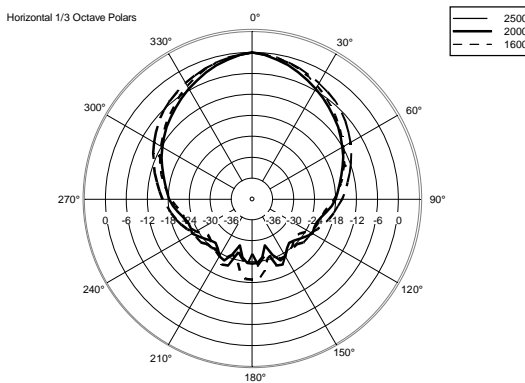
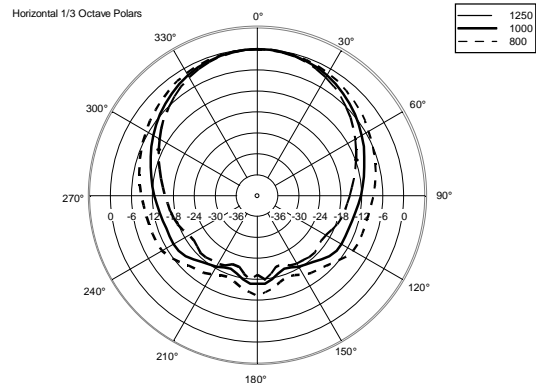
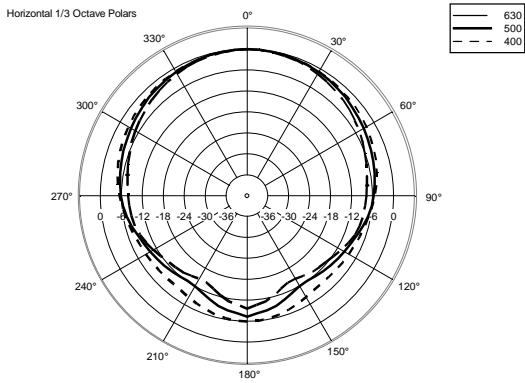
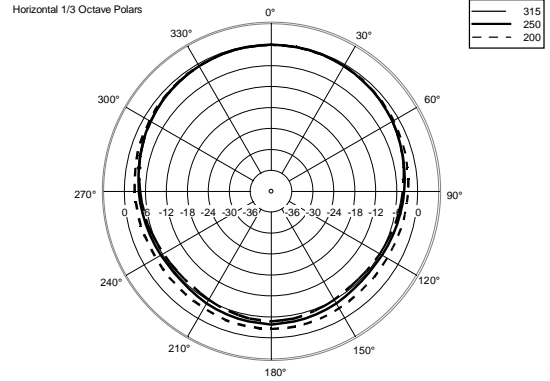
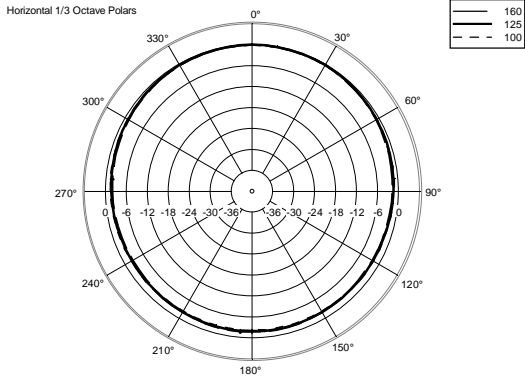
HD 10-A MK5

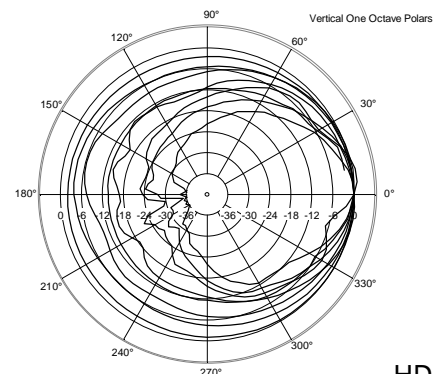
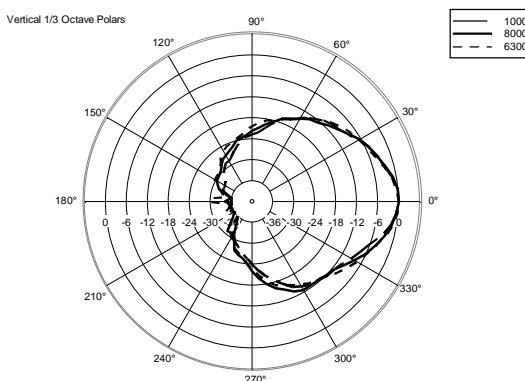
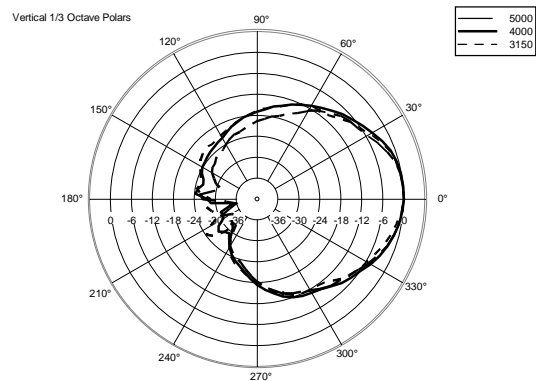
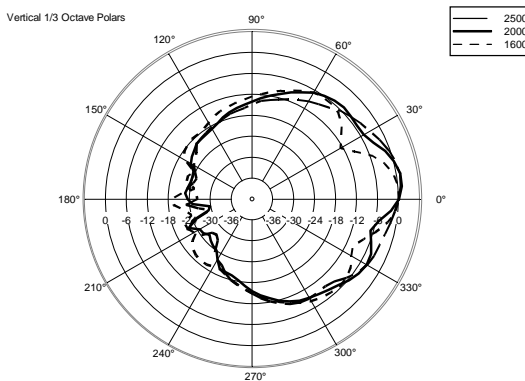
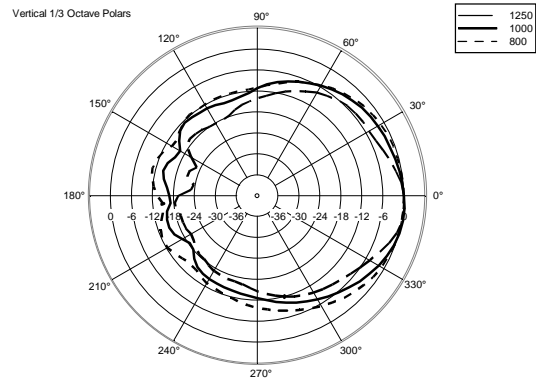
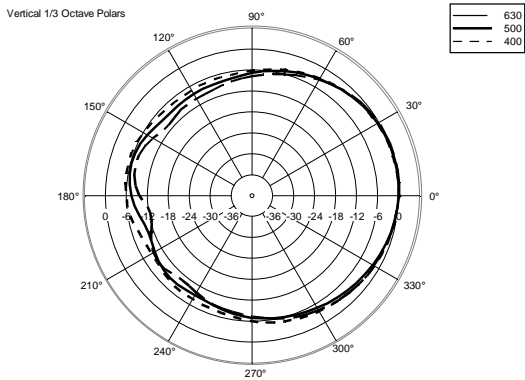
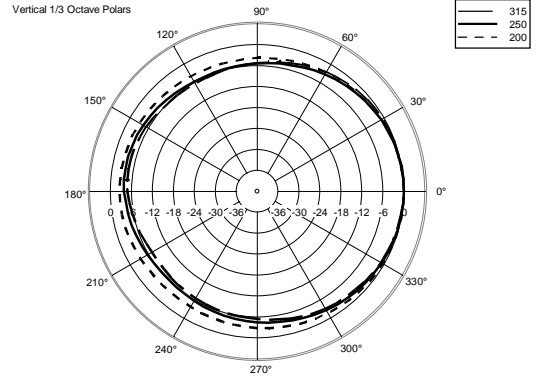
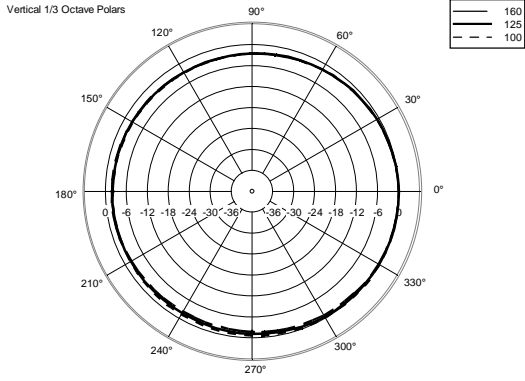
220-240V

EAN 8024530019310









**ACCESSORIES**

AC PMA - POLE MOUNT

PART NUMBER **13360034**  
EAN: 8024530007713

AC PM-M20

PART NUMBER **13360067**  
EAN: 8024530014599

AC PMX POLE MOUNT M20

PART NUMBER **13360232**  
EAN: 8024530010058

AC PRO-FS PROFESS. LOCKING FLOOR STAND

PART NUMBER **13360109**  
EAN: 8024530006471

AC PRO-PM PROFESS. LOCKING POLE MOUNT

PART NUMBER **13360110**  
EAN: 8024530006488

COVER CVR HD 10

PART NUMBER **13360208**  
EAN: 8024530010713

HORIZONTAL BRACKET H-BR 2X HD 10

PART NUMBER **13360215**  
EAN: 8024530016548