

## 16 Zone Timer Control Music, Paging and Voice Message Alarm System

### Features

- \* Background music + 16 zone paging + voice message alarm
- \* Built-in 8 inputs 16 outputs audio matrix
- \* Built-in weekly scheduled timer
- \* Built-in 16 zone speaker selector and remote paging console
- \* Built-in 6 channel power sequencer
- \* Built-in Mp3 player of 2GB memory card
- \* Built-in monitor
- \* With telephone paging, fire alarm and remote paging interface
- \* With sunny day program as usual and rainy as reserve
- \* With Microphone and CD/Mp3 manual emergency insert
- \* With memory function after power off
- \* With emergency mic input
- \* Each day program operation up to 200 steps

### Background Music System

- \* 8 music scheduled broadcast over 16 different zones
- \* Manual CD/Mp3 input at particular circumstance
- \* Zone music will not be interrupted when its zone is not selected when make paging
- \* CD, AM/FM tuner, Mp3 player as scheduled audio sources
- \* Playing modes: single song, single circle, all play and all circle
- \* Music system will be monitored by operator in control room

### Remote Zone Paging System

- \* T-6600 built-in 16 zone speaker selector
- \* With T-218(A) to achieve individual, group, each ten, all zone paging
- \* T-218(A) paging with priority over music except EMC (fire alarm input) and Mic 1 (T-6600 front panel)
- \* T-218(A) remote paging distance within 1 kms through Cat 5 cable and RJ45 communication port
- \* T-6600 can work with several T-218(A) at the same time
- \* There is no interrupt other zones music when paging is made
- \* Manual zone select paging system on T-6600 front panel

### Voice Message Alarm System

- \* Work with T-6203 to achieve all zone automatic voice message alarm after activation
- \* T-6203 with built-in siren and self-recording message for alarm
- \* Fire alarm system with priority except Mic 1 (T-6600 front panel)

### Expansion Functions

- \* Each zone power output no limit even higher than 5000W
- \* Telephone paging, power sequencer, monitor panel could be added
- \* With T-6212(A) expandable to 300 system
- \* Different voice message alarm for different zones through T-6223(A)

## Applications

It is typically used in middle public address/PA system while needs background music and paging or announcements.

Applications like office, hotel, commercial and industrial buildings, restaurant, school, train station, bars, canteen, etc.

## Architects' and Engineers' Guidance

The ITC's basic public address covers background music, paging and voice message alarm especially suitable for commercial and industrial buildings.

The public address is analog signal, monophony and constant voltage transmission. The 100V or 70V technique reduces line losses on longer distances and allows each parallel connection of multiple loudspeakers.

The weekly scheduled system can let the full system without man operation. It is suitable for school theme bar, hotel, factory, commercial buildings where timely reminding and scheduled activities needed.

## Certificate and Physical

Certificate: CCC, ISO9001, CE, EMC & RoHS

Optional equipments: wireless microphone, 19" metal rack, volume control, blank panel

Accessory: audio cable, connector, , CAT 5 cable microphone cable and speaker cable

Design: 19" rack mount equipments, panel: aluminum, black; case: metal, black

Packaging: standard export carton, power cords, protection bag and user manual



## Public Address Matrix Controller

# T-6600

### Description

The T-6600 is an advanced matrix controller that combines the functions of a program timer, MP3 player, and programmable audio matrix into a single chassis. Robust and cost-effective, the T-6600 is convenient to operate.

Main features are:

- 8 inputs: 4 channels audio sources of CD, MP3, Tuner as well as Emergency Alarm
- 16 outputs available of emergency alarm, 4 channels Audio source, CD and MP3 outputs
- RJ45 COM port and expandable CF card memory
- Built-in MP3 program player
- Built-in program timer
- All zones alarm, separate zone alarm and adjoining zones alarm
- All zones call out, separate zone call out and adjoining zones call out
- All zones BGM, separate zone BGM and adjoining zones BGM
- Remote paging with remote paging controller
- Automatic or manual operation
- 3U 19" Rack-mount Chassis

### Packaging

Carton Contents:

- Operating Manual
- Warranty Card
- Connection Cable, Adapter

Carton Dimensions (W x H x D):

555 x 233 x 555 mm

Gross Weight: 9.5 kg

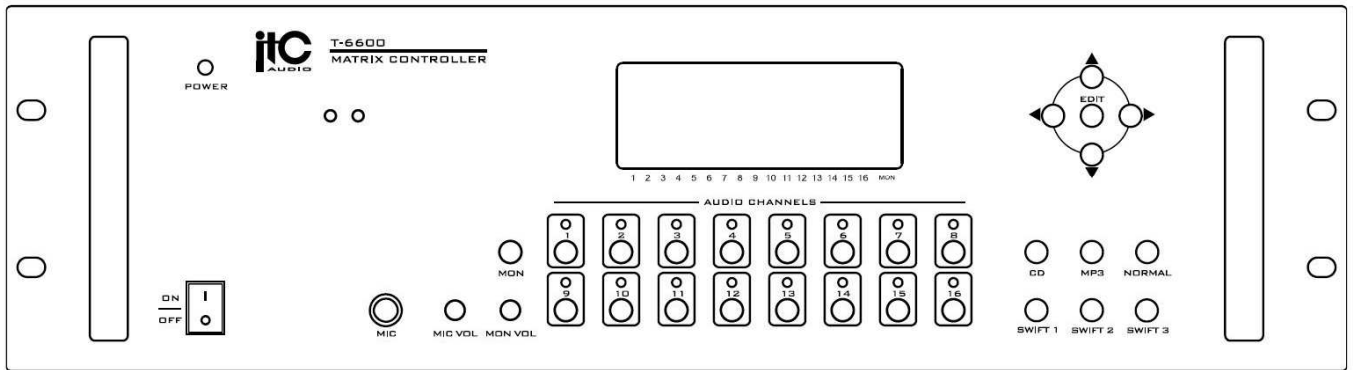


### Specifications

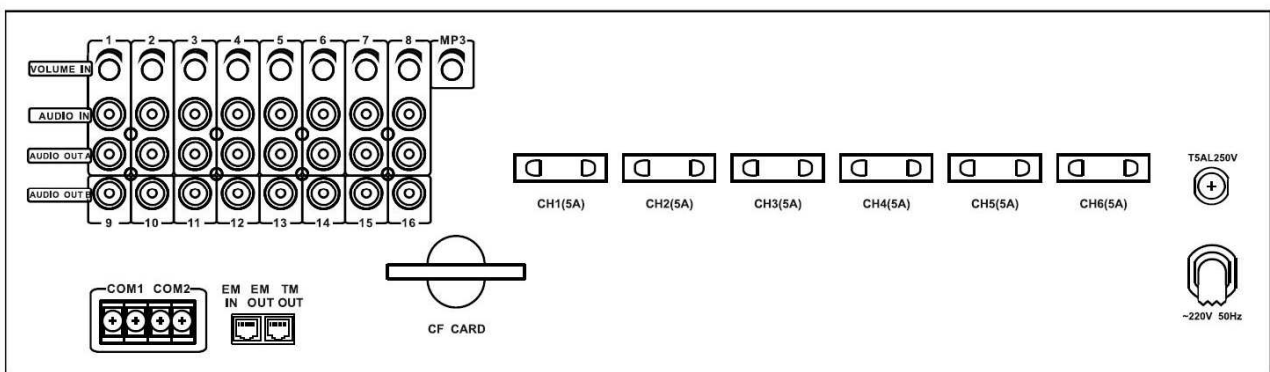
Input	8 channels; AUDIO IN: 10k ohms, 0.775V unbal MIC: 600 ohms, 10mV unbalanced
Output	16 channels; 1k ohms, 0-1.5V unbalanced
Frequency Response	30Hz - 20kHz
THD	Less than 0.1%
Communication Port	4800bps, RJ45 connector, RS422 protocol
MP3 Frequency Response	20Hz-20KHz/± 1 db
MP3 S/N Ratio	95db
MP3 Storage	External Compact Flash Card File Format: FAT12, FAT16, FAT32
Monitor	Built-in loudspeaker, 0.5W
Cycle Time	24 hrs
Alarm Signal	Input: 0V; Output: 0V
Timer Power Output	6 Channels, 110-120 or 230-240VAC 50/60Hz Total Capacity: 5kW; Max Per Socket: 1kW
Controls	Power switch, 8 AUDIO IN, MIC and MONITOR volume controls, program edit, 16 AUDIO ch, MONITOR, CD, MP3, NORMAL, SWIFT pushbuttons
Indicators	Power LED, LCD display, channel status and operational status LEDs
Protection	AC fuse, 0.5A
Power Requirements	110-120VAC or 230-240VAC 50/60Hz
Power Consumption	30W
Weight	8.5 kg
Dimensions (W x H x D)	484 x 132 x 350 mm
Finish	Panel: aluminum plate, black or gold (optional) Case: steel plate, black

# Appearance

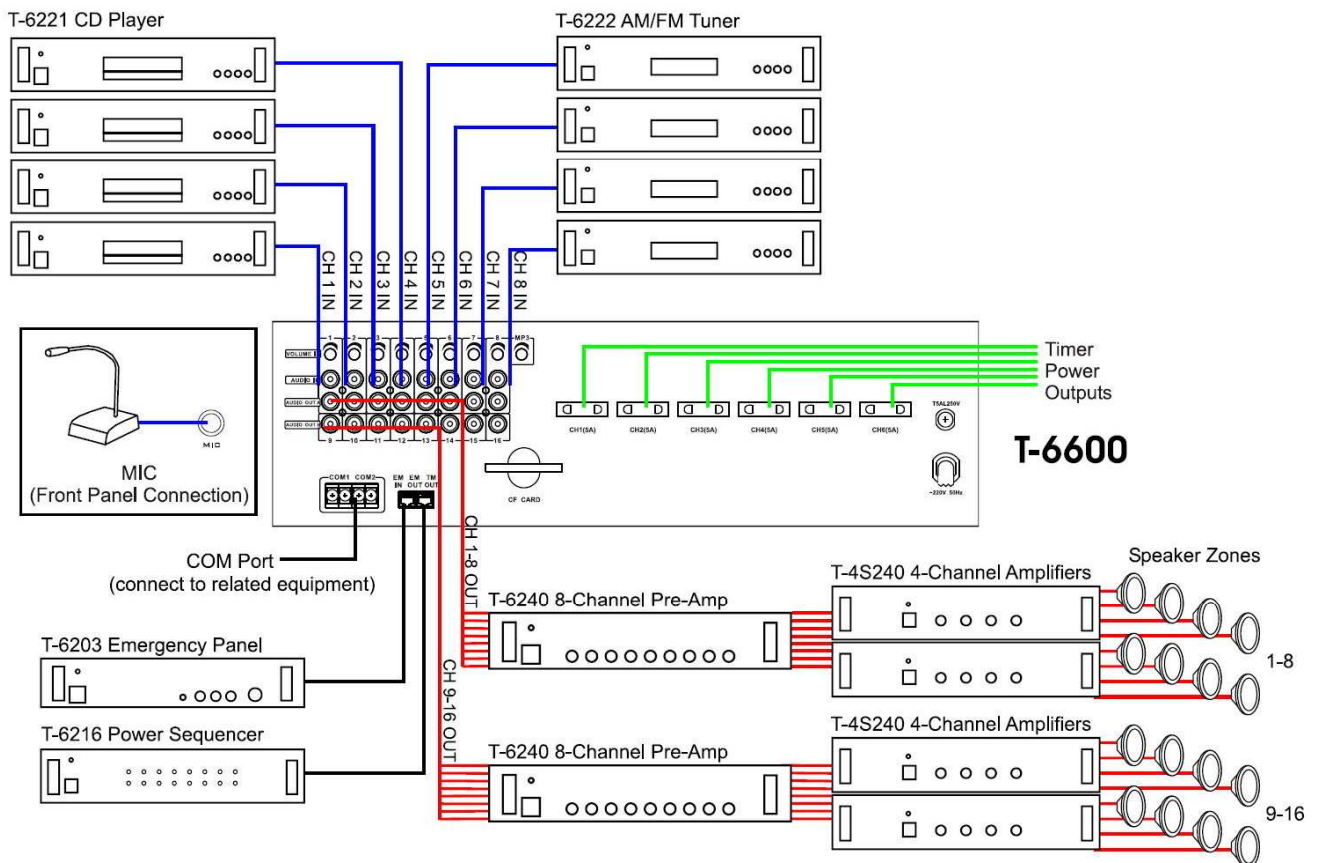
## Front Panel



## Rear Panel

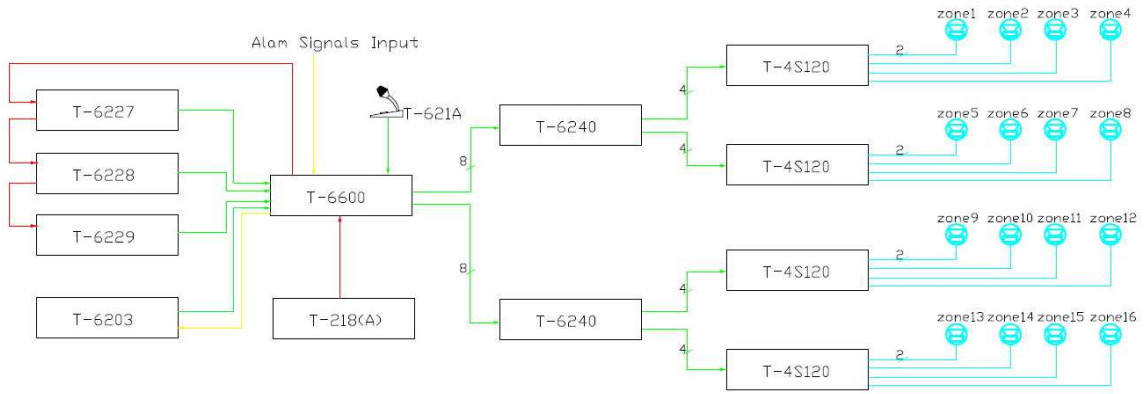


## Connections



# Block Diagram

## 16 Zone Timer Control Music, Paging and Voice Message Alarm System



Zone	Alarm	Control	Music	Paging	Voice Message	Alarm System
1	1	1	1	1	1	1
2	1	1	1	1	1	1
3	1	1	1	1	1	1
4	1	1	1	1	1	1
5	1	1	1	1	1	1
6	1	1	1	1	1	1
7	1	1	1	1	1	1
8	1	1	1	1	1	1
9	1	1	1	1	1	1
10	1	1	1	1	1	1
11	1	1	1	1	1	1
12	1	1	1	1	1	1
13	1	1	1	1	1	1
14	1	1	1	1	1	1
15	1	1	1	1	1	1
16	1	1	1	1	1	1

