



### Descriptions

T-318 is remote paging console with 5 zone mixer amplifier TI-120S/TI-240S/TI-350S/TI-500S whose communication distance up to 1kms. The paging console could be power supplied by the mixer within 50 meters, while extra DC 24V power supply is needed when distance is longer than 50 meters. The paging console provides a direct zone and paging control over the amplifier's output.

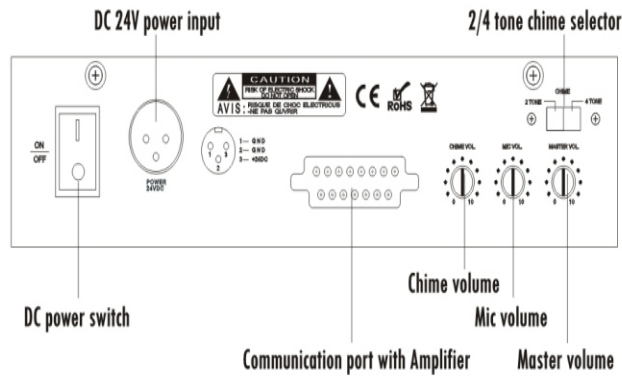
### Features

- \* Remote paging console with input priority over Mic1 and siren/chime except for EMC input and TEL input
- \* Condenser microphone type
- \* 2/4 tone selectable pre-announcement chime
- \* Each 5 zone, all zones talk and chime functional buttons.
- \* Volume control over chime, Mic and master
- \* 10 segment LED amplifier output level meters
- \* DC power socket and DC 24V input
- \* Extra DC power supply is needed when communication distance is more than 50 meters

### Specifications

<b>Model</b>	T-318	
<b>Mic Input Section</b> (Mic 1~4 In@1KHz)	Input Sensitivity/ Impedance	-50dB/600 $\Omega$ balanced
	S/N Ratio	Better than 65dB
	Frequency Response ( $\pm 3$ dB)	50Hz~16KHz, -3dB
<b>THD</b>	Less than 0.1%	
<b>Output</b>	0.775V/600 $\Omega$	
<b>Power Supply</b>	DC 24V	
<b>Weight</b>	960g (Without Microphone)	
<b>Dimensions</b>	197x115x43.5mm	

## Rear Panel T-318



## Connections

