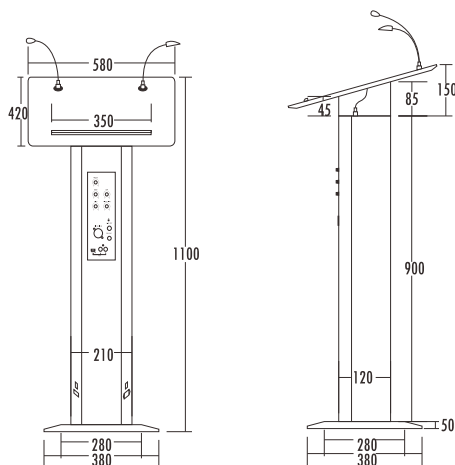




Descriptions

- * Lectern is applied to lectures, teaching and conference, built-in 3 sub-woofer loudspeaker, one tweeter, with rated output power 60W, built-in microphone and a small desk lamp.
- * One gooseneck Mic and one lamp.
- * Built-in 60W amplifier.
- * One line input, two microphone inputs, one line output, one record output.
- * With two VHF handheld wireless microphone with signal transmission distance max 100 meters.



Specifications

Model	T-6236
Power supply	~230V-110V 50/60Hz
Power consumption	100W
Frequency response	100Hz~16KHz
Output Power	60W
Input Sensitivity	MIC1: -50dB ±2dB1.5/680Ω MIC2: -55dB ±2dB1.5/600Ω LINE: -20dB ±2dB1.5/50Ω Aux: 1.-20dB ±2dB1.5/10KΩ 2.-15dB ±2dB1.5/30KΩ 3.-10dB ±2dB1.5/50KΩ 4.-3dB ±2dB1.5/80KΩ
Record Output	1V/0dB
Quality control	Bass:10dB/Treble:10dB
Transmission distance	15~30M
Dimensions (L x W x H)	580 x 420 x 1100 mm
Weight	12.26Kg