

# Hisense Interactive Digital Board

## Brilliant Touch Trigger Infinite Ideas

WR80U/WR60AE Series





## Introduction

Hisense Interactive Digital Board works with smooth fast computing and responsive touch capabilities and a variety of sharing methods that providing an immersive multimedia conference experience. It is a revolutionary creation that will replace the traditional whiteboard in the future.

### WR80U/WR60AE Series

## Organize a Truly Efficient Conference

Designed with IR touch screen technology, the Hisense Interactive Digital Board is an engaging solution for both education and business environments. Encouraging interactive communication, its technology facilitates learning as well as information sharing.



# Key Features



Eight-core

Internal Memory

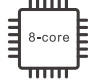
App

App Execution


Contents Download

## Powerful System Architecture, Smooth Processing Experience


- Eight-core with dual architecture drivers, delivering unbelievable performance.
- 3+32GB large memory, providing unstoppable and rapid response.
- Powerful 8th Gen Intel Core chipset, enhancing remote control efficiently.




Eight-core with dual architecture drivers



3+32GB large memory



Intel Core chipset



Boot Speed 21.7% ↑

APP Startup speed 29.3% ↑

Writing fluency 32.0% ↑

Document opening speed 15.0% ↑

## Open Android Platform

Built-in Android 8.0 system not only brings high smooth processing experience to users, but also supports integrators to install any Android-based application on our displays.



install any Android-based application



Android 8.0



# Key Features

---



## Superior Interactive Performance

---

It provides a more realistic sense of touch since it can recognize up to 20 simultaneous touches at once and support multiple people to write simultaneously.



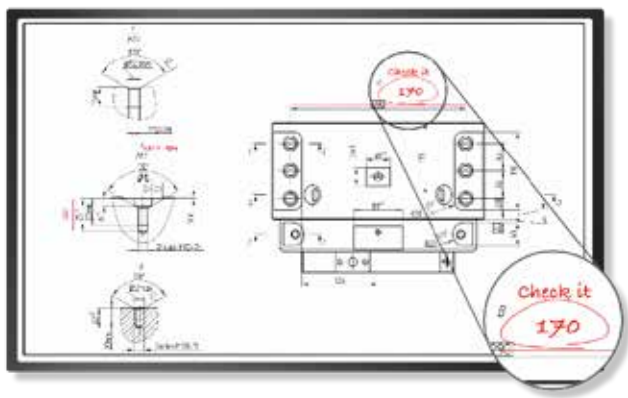
More realistic touch



Twenty simultaneous touches



Many people write at the same time



## Quick Response and Precise Writing

---

Capable of writing and erasing simultaneously without residues. The HIDB recognizes minimum up to 2mm touch points precisely and Intelligent pen edge optimization, just like the experience of writing on paper.



Write and erase simultaneously



Accurate identification of minimum 2mm



It's like writing on paper



## Liquid Annotation

---

HIDB allows you to quickly annotate content from any source. It also supports you to easily switch between tasks and make handwritten annotations, zoom in and zoom out, and undo changes with your fingers.

With the intuitive touch control and lightning fast response time, it provides you the smoothest writing and drawing motions.



Quick Annotation



Easily switch tasks



Fluent writing and drawing

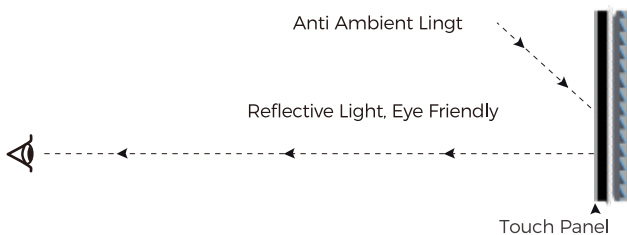


## Comfortable Eye Feel , Anti-Glare and Tempered Glass

HIDB filters blue light technology and eye protection mode to effectively reduce blue light, and watch it for a long time without worrying about hurting your eyes.

HIDB comes with a special screen to prevent light reflection and providing smooth touch experience with antiglare technology.

All our touch screens have toughened glass material preventing any damage to the touch panels.



HIDB filtering blue light technology



Anti-glare technology



Prevent damage to the touch panel



## Android & Windows Dual Systems

All our products have compliance with OPS (Open Pluggable Standard). OPS will empower your screens with enhanced processing power and ability to choose Windows or Android as your operating system to fit your specific application. Built-in Android 8.0 system and optional Windows system with OPS computer module, realizing deep integration with other digital devices.

# Key Features



## One Touch Transmission

Transmit between screen just by one click : sharing the Laptop screen to the HIDB just need to one key touch, without messy cables, break the cable limitation.

- the transmission is fast and stable ;
- support return transmission ;
- support ios/ android/windows/mac.



ios/mac



android



windows



## Split Screen Collaboration Doubling Efficiency

HIDB Supports two-way mirroring and two-way touch and up to 4-way Split Screen that allows up to 4 devices to present at the same time so everyone's ideas can be shared.



Two-way touch



4 split screens



Share everyone's ideas



## All-in-one Embedded Solution

Built-in White Board app enables users to write on the screen without an extra writing solution. It is an efficient way to enhance collaboration efficiency during a meeting or teaching.



Built-in whiteboard application



Can be written on the screen



Improve collaboration efficiency



## Multi Share Style

Pick up your mobile phone and pack the conference content easily by E-mail or scanning a QR code. When you save your content, Our system will sort your conferences automatically, so that you can review the content in order.



e-mail



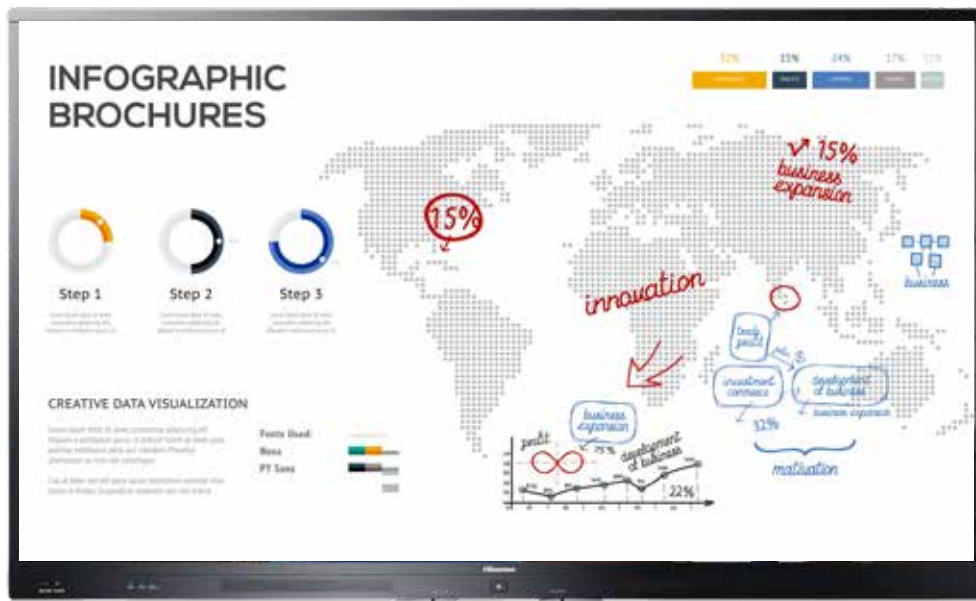
QR code



Meeting sort

# Product Information

## Components



User Manual × 1



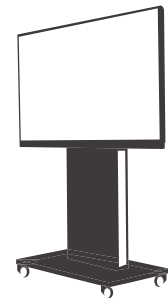
Remote Control × 1



Wireless Cast × 1



Power Cable × 4



Mobile Cart (optional) × 1



Stylus Pen × 2



Battery × 2



Wall Mount Bracket × 1

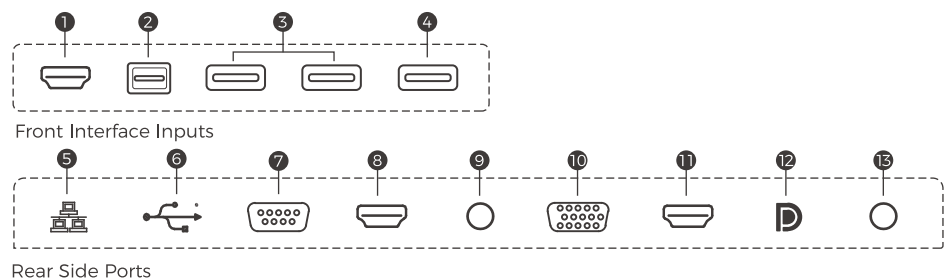


OPS Kit (optional) × 1

## Connectivity

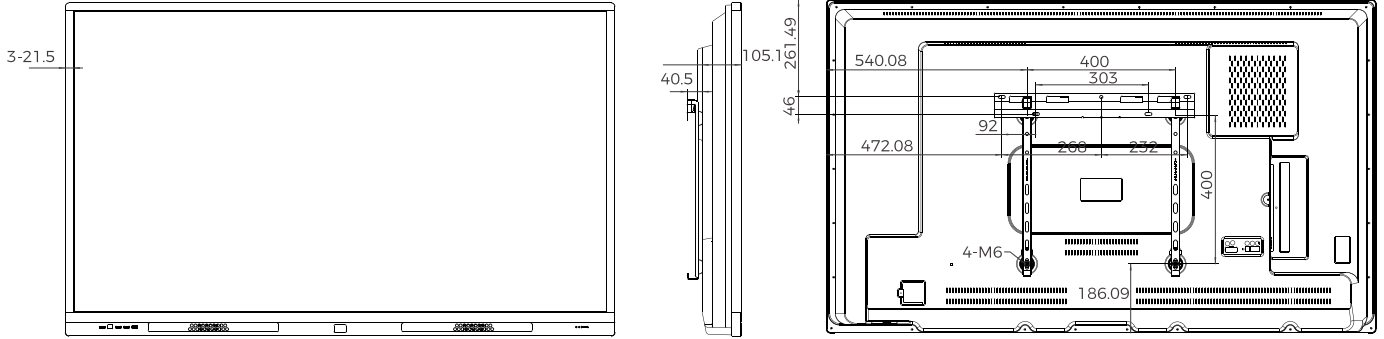
### HN75WR80U/86WR60AE/65WR60AE

- |            |              |
|------------|--------------|
| ① HDMI     | ⑨ AUDIO IN   |
| ② TOUCH    | ⑩ VGA        |
| ③ USB      | ⑪ HDMI 2.0   |
| ④ USB3.0   | ⑫ DP         |
| ⑤ ETHERNET | ⑬ S/PDIF OUT |
| ⑥ USB      |              |
| ⑦ RS 232   |              |
| ⑧ HDMI OUT |              |

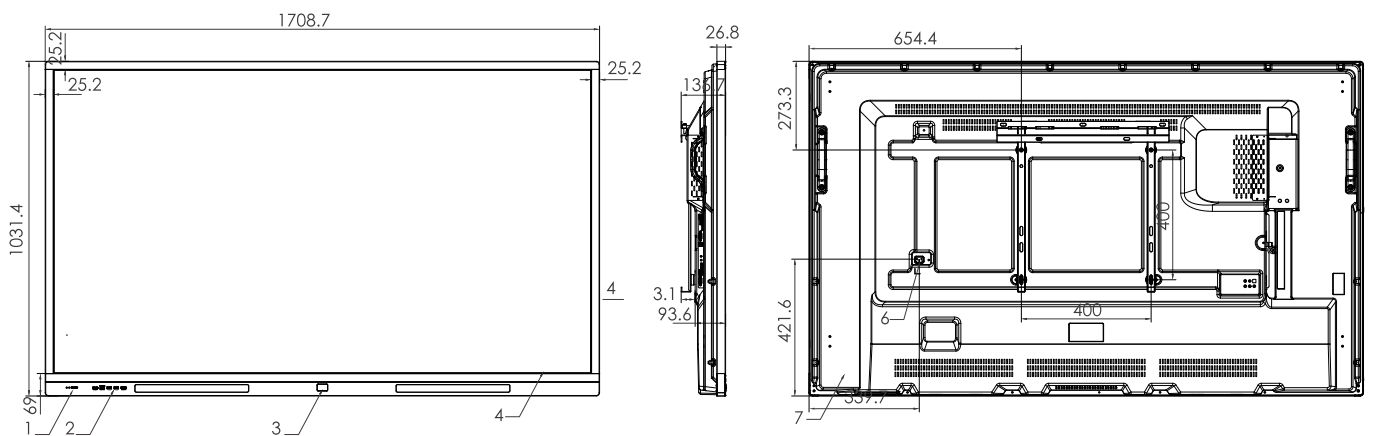


# Dimension

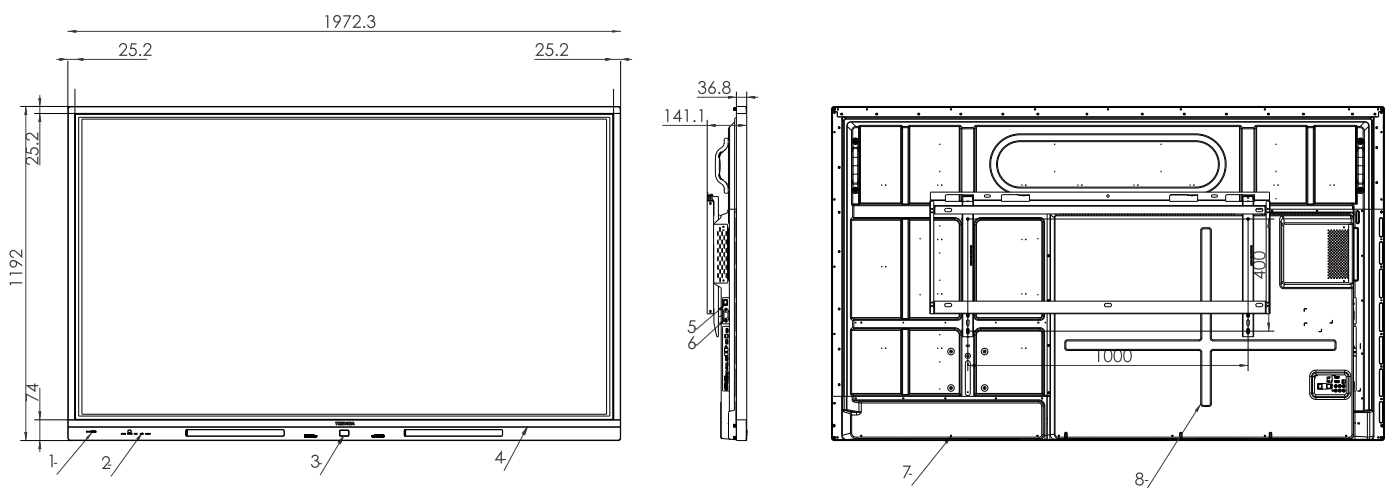
**65"** 1480x897x127mm / 41.5kg



**75"** 1720x1047x103mm / 52kg



**86"** 1972x1192x90mm / 74.2kg





# Specifications

Model		65WR60AE	HN75WR80U	86WR60AE	
Panel	LCD Size	65"	75"	86"	
	Backlight Type	D-LED	D-LED	D-LED	
	Resolution	3840x2160(pixels)	3840x2160(pixels)	3840x2160(pixels)	
	Brightness	350cd/m <sup>2</sup> (typ.)	400cd/m <sup>2</sup> (typ.)	350cd/m <sup>2</sup> (typ.)	
	Contrast Ratio	1200:1 (typ.)	1200:1 (typ.)	1200:1 (typ.)	
	Response Time	8ms (typ.)	8ms (typ.)	8ms (typ.)	
	Refreshing Frequency	60Hz	60Hz	60Hz	
	Viewing Angle	178°(H) / 178°(V)	178°(H) / 178°(V)	178°(H) / 178°(V)	
	Life Time	30,000 hrs (min.)	30,000 hrs (min.)	30,000 hrs (min.)	
	Color Gamut(X% NTSC)	72%	72%	72%	
Display Colors	1.07B(10bit)	1.07B(10bit)	1.07B(10bit)		
System	Chipset	Hi3751V811	Hi3751V811	Hi3751V811	
	CPU	Architecture	ARM A73+A53	ARM A73+A53	ARM A73+A53
		Working Frequency	1.7GHz	1.7GHz	1.7GHz
		Core	8 Core	8 Core	8 Core
	GPU	MaliG51	MaliG51	MaliG51	
	RAM	3GB	3GB	3GB	
	ROM	32GB	32GB	32GB	
OS	Android 8.0	Android 8.0	Android 8.0		
Power	Power Requirements	AC 100 V ~ 240 V, 50/60 Hz	AC 100 V ~ 240 V, 50/60 Hz	AC 100 V ~ 240 V, 50/60 Hz	
	Power Consumption Without OPS	220W	240W	460W	
	Standby Condition	<0.5W	<0.5W	<0.5W	
	Audio Output Power	2x15W/8Ω	2x15W/8Ω	2x15W/8Ω	
	OPS Power	DC 19V/5A	DC 19V/5A	DC 19V/5A	
Connectivity	Input	HDMI IN	x2	x2	x2
		DP IN	x1	x1	x1
		VGA IN	x1	x1	x1
		AV IN	/	/	/
		YPBPR IN	/	/	/
		OPS(optional)	x1	x1	x1
		LAN	x1	x1	x1
		USB	x4	x4	x4
	Output	Touch	x1	x1	x1
		PC-Audio IN	x1	x1	x1
		RS232 IN	x1	x1	x1
		RS232 OUT	/	/	/
		HDMI OUT	x1	x1	x1
		AV OUT	/	/	/
		S/PDIF OUT	x1	x1	x1
Audio OUT	x1	x1	x1		
Touch	Sensing Type	Infrared Touch Frame	Infrared Touch Frame	Infrared Touch Frame	
	Surface Protection	4mm Anti-Glare Glass	4mm Anti-Glare Glass	4mm Anti-Glare Glass	
	Infrared Touch	≤20 points	≤20 points	≤20 points	
	Touch Accuracy	90%(±1mm)	90%(±1mm)	90%(±1mm)	
	Response Time	≤8ms	≤8ms	≤8ms	
	Theory Clicks	Unlimited	Unlimited	Unlimited	
	Minimum Touch Object	≥2mm	≥2mm	≥2mm	
Physical	Product Size(W x H x D)	1480x897x127mm	1720x1047x103mm	1972x1192x90mm	
	Package Size(W x H x D)	1734x1114x266mm	1885x1218x300mm	2171x1382x341mm	
	Net Weight	41.5kg	52kg	74.2kg	
	Packed Weight	53kg	68kg	102kg	
	20GP container capacity (pcs)	60	/	/	
	40GP container capacity (pcs)	126	/	/	
	Housing Material	Front shell: Aluminum	Front shell: Aluminum	Front shell: Aluminum	
		Rear shell: Blister	Rear shell: Blister	Rear shell: Blister	
	Housing Color	Black	Black	Black	
	VESA	400*400mm, 4-M8 screw	600*400mm, 4-M8 screw	800*400mm, 4-M8 screw	
Certification	Standard certification	CB,CE,ERP	CB,CE,ERP	CB,CE,ERP	
Accessories	Basic	User Manual × 1	User Manual × 1	User Manual × 1	
		Pen × 2	Pen × 2	Pen × 2	
		Remote Control × 1	Remote Control × 1	Remote Control × 1	
		Hanging Wheel × 4	Hanging Wheel × 4	Hanging Wheel × 4	
		Wireless Cast × 1	Wireless Cast × 1	Wireless Cast × 1	
		Power Cable × 4	Power Cable × 4	Power Cable × 4	
		Battery × 2	Battery × 2	Battery × 2	
	Wall Mount Bracket × 1	Wall Mount Bracket × 1	Wall Mount Bracket × 1		
	Optional	Mobile Cart	Mobile Cart	Mobile Cart	
		OPS	OPS	OPS	