

## ND46



- Excellent isolation with lively and balanced sound
- Large diaphragm dynamic capsule creates a rich and detailed frequency response
- Easy mic placement with locking pivoting head
- Humbucking coil guards against line hum
- Memraflex grille resists denting



The Electro-Voice ND46 is a robust, high-performance dynamic supercardioid instrument microphone. Designed for capturing a wide variety instrument sounds, the ND46 capsule is precisely tuned to deliver a lively and balanced sound, as well as excellent isolation from the sound of other nearby instruments. The ND46 dynamic capsule contains a large Mylar diaphragm which delivers a rich and detailed frequency response by combining its large surface area for tonal balance with its low-mass high-velocity material for exceptionally fast transient response. The ND46 locking pivoting head makes mic placement easy and precise. Achieve ideal mic placement by pushing its button, pivoting the head into position, then releasing the button to lock the head's position. The ND46 capsule uses a humbucking coil that attenuates AC hum and electromagnetic interference. ND dynamic mics can be used with confidence near speaker cabinets and EMF generating equipment racks. The ND46 Memraflex grille is made of a durable tight-mesh grille wire that withstands extraordinarily-rough treatment. Your microphone remains protected and looking good gig-after-gig, year-after-year. For additional protection, the ND46 capsule contains a hydrophobic cloth membrane which prevents moisture and debris from reaching the diaphragm. The ND46 also features an innovative capsule shock-mount system consisting of a 4-point suspension around the circumference of the capsule combined

with a tuned pneumatic pump at the capsule base, offering superior handling noise reduction to eliminate mechanical vibrations and noise in the mix.

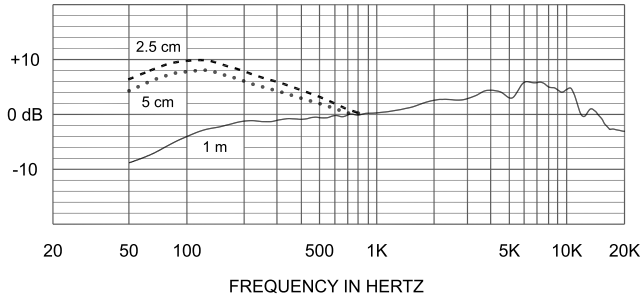
## Technical specifications

Element Type:	Dynamic neodymium magnet structure
Frequency Response:	70 Hz – 18 kHz
Polar Pattern:	Supercardioid
Sensitivity, Open Circuit Voltage @ 1 kHz:	2.4 mV/Pascal
Maximum SPL:	>140 dB
Polarity:	Pin 2 positive, reference to pin 3 with positive pressure on diaphragm
Impedance:	350 ohms balanced (low-z)
Microphone Connector:	3-pin, XLR-type
Finish:	Black polyurethane paint
Material:	Zinc die cast yoke, aluminum die cast housing, Memraflex grille screen
Dimensions (yoke rotated to back), Length:	5.67 in (144.1 mm)
Width (at widest point):	2.86 in (72.5 mm)
Diameter (less yoke):	2.2 in (56 mm)
Net Weight:	10.9 oz (309 g)

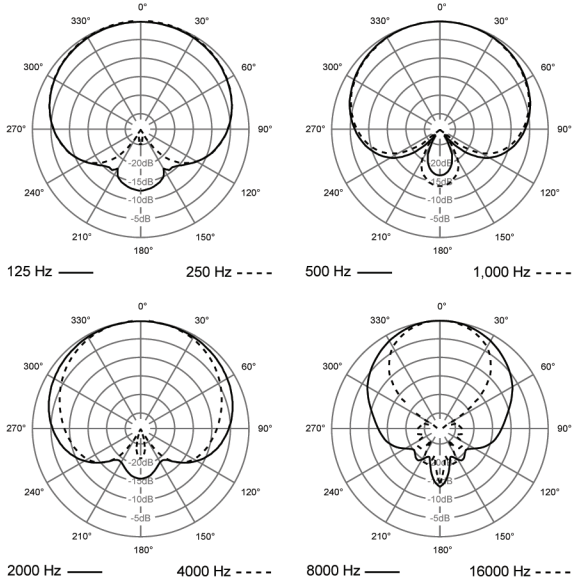
Shipping Weight: 20.6 oz (584 g)

Accessories Included: (1) Gig bag, (1) stand clip, and (1) Euro thread adapter

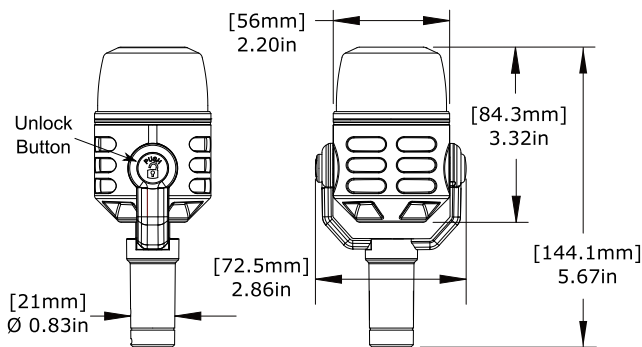
**Frequency Response:**



**Polar Response:**



**Dimensions:**



**System overview**

**Microphone Use and Placement:**

Please note that micing techniques are a matter of personal preference. These are merely guidelines to assist in the placement of the microphone to gain optimal performance.

**Usage**

**Optimal Placement**

Electric Guitar and Bass Guitar Amplifier	Place microphone approximately 1-2" from and at a 90° degree angle to the speaker cone. To reduce boominess, move the microphone off axis to the cone from 90° to 45°, or move mic from center of cone to either edge.
Tom-Toms	On double headed Toms, place mic over the top of drumhead 1-3" and at a 45° angle to the drumhead surface and 1-2" in from the drum edge. On single headed Toms, use above method or place mic inside Tom from underneath at a 90° angle from the center of head, 3-5" away.
Snare Drum	Place mic 1-3" above the heads, 1-2" in from the rim. Aim each mic at the top heads angled down about 45°. If the drum rings, tape deadening material to the head or use damping rings. For more "snare" sound place a 2nd mic underneath aimed up at the bottom head.
Cymbals	Place microphone one to two feet above the cymbals.
High-Hat	Place 4-5" above outside edge at a 45° down angle.
Brass	6-24" away, and on axis with the bell of the instrument.
Acoustic Guitar	Place mic 6-12" from where neck joins the body.

**Standard Placement and Use Guidelines:**

1. Always point the microphone at the desired source of sound and away from any unwanted sources.
2. The microphone should be located close to the sound source to minimize interference from other potential sound sources.
3. Use the 3-to-1 rule when using multiple microphones. Place each microphone three times farther from other microphones as from the desired source.
4. Minimize over-handling of the microphone to reduce unwanted mechanical noise.
5. Working close to the microphone will increase the bass tone and also provide increased gain-before-feedback.

**Using the rotating head**

The ND46 head will rotate up to 180° with fifteen positive locking positions within its rotation range.

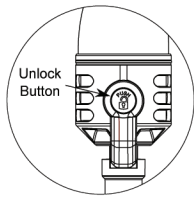
**Caution!**



Attempting to rotate the head while the unlocking button is not pushed may result in damage to the microphone.

To **rotate the head**, do the following:

1. Push and hold the unlocking button to unlock the head.



2. While holding the unlock button down, rotate the head to the desired position.
3. Release the unlock button and gently rotate the head to the nearest positive locking position.

*The lock should click into place.*

## Parts included

Qty.	Item
1	Microphone
1	Gig bag
1	Stand clip
1	Euro thread adapter
1	Engineering data sheet
1	Warranty and Product Documentation Information card

## Ordering information

### ND46

Dynamic supercardioid instrument microphone, black  
Order number **ND46**

### SAND-1

Stand adapter, black  
Order number **SAND-1**

### ND46GRILLE

Replacement end grille, black  
Order number **ND46GRILLE**

### Accessories

#### DRC-2

Drum rim clamp, black  
Order number **DRC-2**

**Represented by:**

---

**Germany:**  
Bosch Sicherheitssysteme GmbH  
Robert-Bosch-Ring 5  
85630 Grasbrunn  
Germany

Bosch Security Systems, Inc.  
12000 Portland Avenue South  
Burnsville MN 55337  
USA

[www.electrovoice.com](http://www.electrovoice.com)