

EVID-S8.2 speaker 8" cabinet 8 Ohm pair



- Innovative mount system is included for quick, simple, and reliable installations
- Carefully engineered for outdoor environments (IP54), without compromising performance
- Long throw 8" (203 mm) woofer housed in a fire rated ABS plastic enclosure for extended LF performance down to 50 Hz
- 90 W power handling provides for 110 dB maximum SPL (116 dB peak)
- 70/100 V transformer version (EVID 8.2T) available for constant voltage systems



The EVID-S8.2 from Electro-Voice is a high-performance, two-way, full-range, 8" (203 mm) surface mount speaker with excellent wide, uniform coverage, and outstanding performance. It is designed for background and foreground music, paging, and sound reinforcement, and it's ideal for a wide variety of indoor and outdoor applications, such as restaurants, bars, patios, retail, fitness clubs, hospitality, theme parks, leisure venues, and others. With unparalleled ease-of-installation, sturdy weather resistance, modern and delicate look, and its flexible mounting options, the EVID-S8.2 is the perfect solution for a wide variety of surface mount applications.

The EVID-S8.2 includes the unique and innovative mount system, from Electro-Voice, making every installation quick, simple, and reliable. The mounting system allows for 90 degrees of rotation horizontally, and 45 degrees of rotation vertically, and it can be easily installed on walls and ceilings. The mounting system comes already assembled and ready to be used, ready to make any job easier.

The EVID-S8.2 has been carefully engineered to resist outdoor environments, without compromising on performance for indoor applications. The full-range speaker is IP54 rated, and its weather-proofing is complemented with exceptional cabinet and grille resistance against sun, salt and moisture.

All EVID-S models are available in black or white, and can be easily painted to match the décor. Transformer versions are also available for constant voltage systems.

The wide range of EVID surface mount speakers has been designed to work together as a complete system in a variety of different surface mount constructions, and to be used in combination with other EVID ceiling and in-wall speakers.

Technical specifications

Frequency response (-3 dB):	70 Hz – 20 kHz ¹
Frequency response (-10 dB):	50 Hz – 20 kHz ¹
Sensitivity:	90 dB ²
Max SPL (calculated):	110 dB (116 dB Peak)
Coverage angle:	Horizontal 90°, Vertical 90°
Power handling:	90 W (360 W Peak) Continuous Pink Noise (100 hours)
Low Z:	Yes
Nominal impedance:	8 Ω
Minimum impedance:	6 Ω
Recommended High-Pass:	50 Hz (24 dB/octave)

2 | EVID-S8.2 speaker 8" cabinet 8 Ohm pair

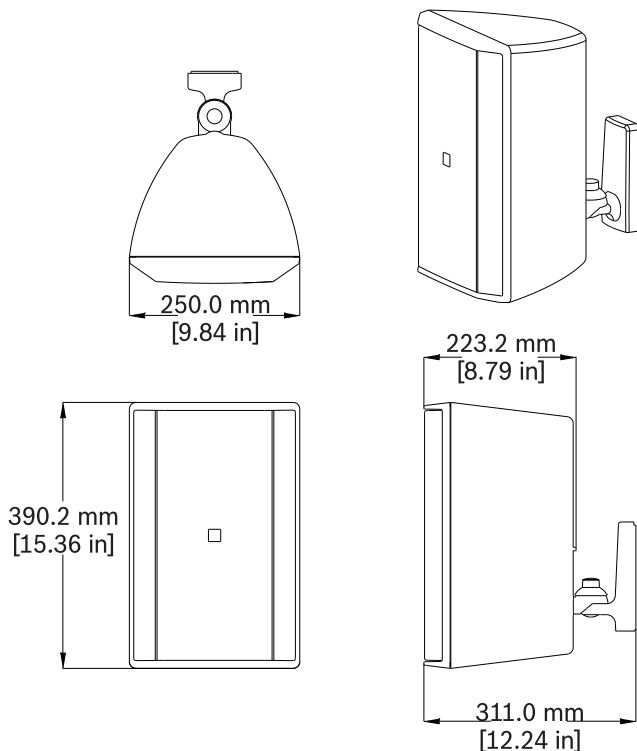
Input transformer (70 V/100 V):	No
LF transducer:	8 inch (203 mm)
HF transducer:	1 inch (25 mm)
Connectors:	Captive screws on wall bracket. Removable locking 4-pin connector (Euroblock) – (2) for connection to additional speakers in a distributed line. Max. wire size 12AWG (2.5 mm)
Environmental:	IP54 (per IEC-60529)
Color:	Black (RAL 9004) or white (RAL 9003)
Dimensions (H x W x D):	390 mm x 250 mm x 223 mm (15.4 in x 9.8 in x 8.8 in) ³
Net weight:	5.1 kg (11.3 lb) ³
Shipping weight (pair):	13.0 kg (28.7 lb)
Included hardware:	Mounting bracket and 5-mm Allen wrench
Packaged quantity:	2

¹Half space (wall mounting).

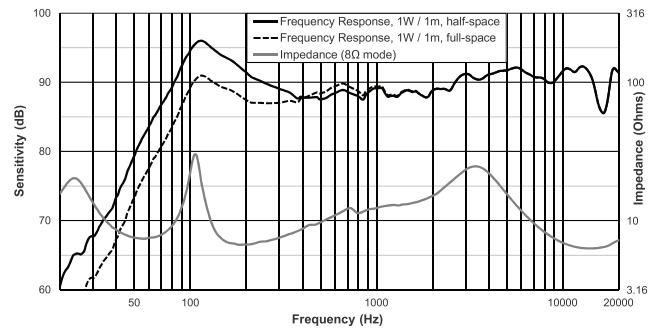
²Half space (on wall) averaged 100 Hz – 10 kHz, 1 W.

³Without brackets.

Dimensions:



Frequency response and impedance:



Architectural and engineering specifications:

The loudspeaker shall be a surface mount, two-way, full-range system, with an internal passive crossover. The loudspeaker's low-frequency transducer shall be a 8" (203 mm) woofer, with a weather resistant poly propylene cone, and a 1" (25 mm) voice-coil. The loudspeaker's high-frequency transducer shall be a 1" (25 mm) Ferro fluid cooled driver, coupled to a baffle-integrated waveguide.

The loudspeaker system shall meet the following performance criteria: Power handling, 90 W of IEC 60268-5 continuous pink noise (6 dB crest factor); Frequency response, 50 Hz - 20 kHz (-10 dB from rated sensitivity); Sensitivity, 90 dB at one watt, 100 Hz - 10 kHz at one meter; Impedance, 8 Ohm nominal, 6 Ohm minimum.

The high-frequency transducer shall drive a waveguide to cover evenly 90° horizontally by 90° vertically. The finish shall be paintable black (RAL 9004) or paintable white (RAL 9003). The grille shall be zinc plated, and powder coated for corrosion resistance. The loudspeaker shall be adjustable over a range of 90° horizontally and 45° vertically. The support bracket shall be integral with the enclosure.

The loudspeaker shall have a ball-and-socket mounting system with a quick attach and detach operation. Electrical connections shall be through the wall-portion of the mounting system, and there should be no exposed wire. The loudspeaker shall have a secondary electrical connection through a 4-pin detachable Euroblock connector.

The system shall be weather resistant to IEC 60068-2-5 Solar Radiation, IEC 60068-2-11 Salt Mist, IEC 60068-2-42 SO₂, IEC 60068-2-60 Chlorine, and IEC 60529 IP54 test conditions. The mounting system shall be EIA 636 tested, at a safety factor of 8:1 or better.

The enclosure shall be molded of fire rated ABS plastic. The loudspeaker shall weigh 5.1 kg (11.3 lb) and its dimensions shall be 390 mm (15.4 in) high, 250 mm (9.8 in) wide, and 223 mm (8.8 in) deep.

The surface mount loudspeaker shall be the EVID-S8.2 model from Electro-Voice.

Ordering information

EVID-S8.2B Speaker 8" cabinet 8 Ohm black pair

Two-way 8-inch surface mount loudspeaker with easy wall-mount system, 8 Ohm, weather-resistant IP54 (packaged in pairs), black

Order number **EVID-S8.2B**

EVID-S8.2W Speaker 8" cabinet 8 Ohm white pair

Two-way 8-inch surface mount loudspeaker with easy wall-mount system, 8 Ohm, weather-resistant IP54 (packaged in pairs), white

Order number **EVID-S8.2W**

Represented by:

Germany:

Bosch Sicherheitssysteme GmbH
Robert-Bosch-Ring 5
85630 Grasbrunn
Germany

Bosch Security Systems, Inc.
12000 Portland Avenue South
Burnsville MN 55337
USA

www.electrovoice.com