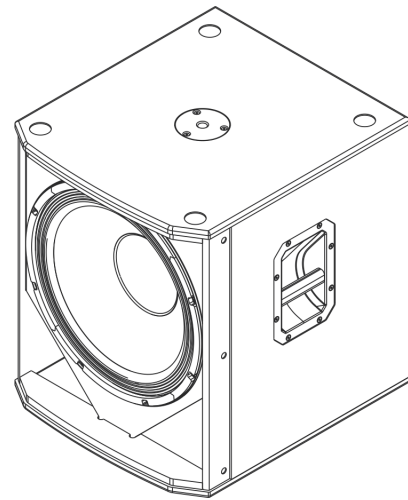


# ELX200-18S 18" passive subwoofer



- 1600 W (peak), 133 dB peak SPL utilizing high-sensitivity transducer designed and engineered by EV for maximum punch.
- High-output EVS-18L woofer designed to exacting specifications for superior durability and exceptional low-frequency reproduction.
- System reliability verified with over 500 hours of abuse testing and endurance testing.
- Ideal for portable and installed applications. Lightweight, compact 15 mm wood enclosure with internal bracing with durable polyurea top-coat finish.
- Professional-grade hardware: integrated M20 threaded pole mount plate and two-handle design for easy lifting.



The ELX series is designed to deliver an unprecedented combination of sound quality, portability and durability at its price point. All-new custom components—tested to levels far exceeding the industry norm—make ELX200 a robust workhorse capable of handling real-world abuse and professional applications beyond the capability of competitors’ products in its category.

Every aspect of ELX200 is designed for ideal results as part of the whole - the acoustical, electrical and mechanical components all work together seamlessly. The subwoofers pack powerful low-frequency output into a surprisingly compact footprint, and feature tuned 15 mm thick wood enclosures with a premium top-coat finish. The proprietary features that have made the other members of the EV portable speaker family a go-to for best-in-class performance are also present.

EV's industry-leading quality and testing procedures yield efficient transducer design and *meaningful* specs, resulting in components that deliver accurate, linear response at the system's highest output levels.

Translation: loud *and* clear all the way up to the limit. Unified in one of the strongest full-range composite enclosures ever built by EV. The ELX200 is established

as the new benchmark for toughness - both acoustically and physically; maximum efficiency with maximum toughness.

## Technical specifications

Frequency response (-3 dB):	45 Hz - 200 Hz <sup>1</sup>
Frequency range (-10 dB):	28 Hz - 300 Hz <sup>1</sup>
Axial sensitivity:	94 dB <sup>1</sup>
Maximum SPL:	133 Hz <sup>1,2</sup>
Rec. high-pass frequency:	35 Hz
Power handling:	400 W Continuous, 1600 W Peak
LF transducer:	EVS-18L 457 mm (18 in)
Nominal impedance:	8 Ω
Minimum impedance:	7.2 Ω
Connectors:	Dual NL4
Enclosure:	15 mm plywood with durable polyurea top-coat finish

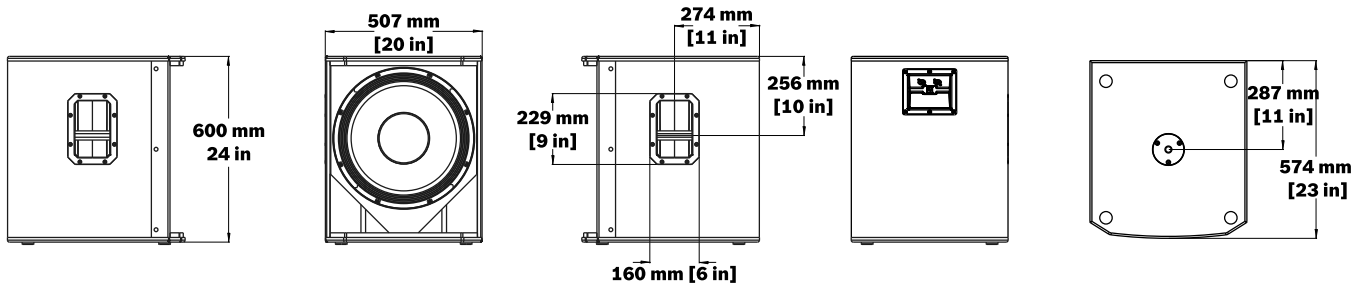
## 2 | ELX200-18S 18" passive subwoofer

Grille:	18 AWG steel with powdercoat
Color:	Black
Dimensions (H x W x D):	600 mm x 507 mm x 574 mm (23.7 in x 20.0 in x 22.6 in)
Net weight:	26.6 kg (58.7 lb)
Shipping weight:	30.5 kg (67.3 lb)

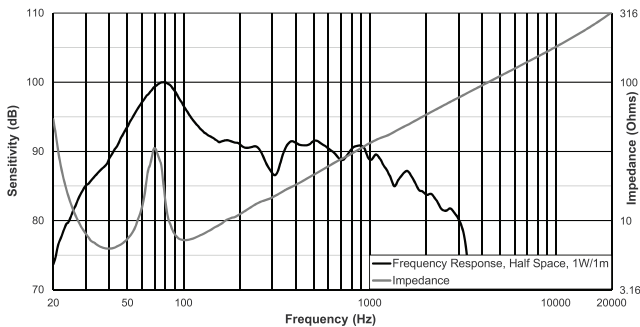
<sup>1</sup>Full-space measurement.

<sup>2</sup>Maximum SPL is measured at 1 m using broadband pink noise at rated peak power rating.

### Dimensions:



### Frequency response and impedance:



## Ordering information

**ELX200-18S 18" passive subwoofer**  
Passive 18-inch subwoofer, black  
Order number **ELX200-18S**

### Accessories

**ELX200-18S-CVR Padded cover for ELX200-18S, 18SP**  
Padded cover for ELX200-18S/18SP, black  
Order number **ELX200-18S-CVR**

## Parts included

Quantity	Component
1	Subwoofer
1	Installation manual
1	Warranty card

### Represented by:

**Germany:**  
Bosch Sicherheitssysteme GmbH  
Robert-Bosch-Ring 5  
85630 Grasbrunn  
Germany

Bosch Security Systems, Inc.  
12000 Portland Avenue South  
Burnsville MN 55337  
USA

[www.electrovoice.com](http://www.electrovoice.com)