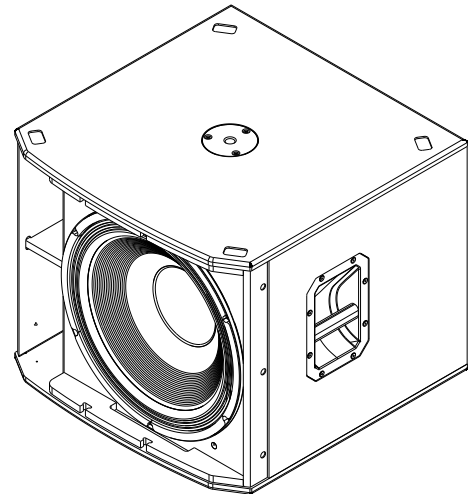


# EKX-18SP



- Quick**Smart**DSP features best-in-class processing, EV's signature single-knob user interface, and intuitive menu navigation via LCD.
- Cardioid Control Technology allows output to be steered towards the audience with up to 35 dB reduction on stage when multiple subs are deployed.
- High-efficiency 1300 W Class-D power amplifier delivers up to 134 dB SPL utilizing high-sensitivity transducers designed and engineered by EV.
- Intelligent thermal management with a variable-speed fan controlled by multiple onboard sensors.
- Two (2) XLR outputs for easy system expansion to additional loudspeakers or subwoofers. Large slot ports for low distortion and excellent bass extension. Two (2) metal grille reinforcement bar. M20 threaded pole mount plate.



EKX-18SP features high-efficiency Class-D power amplifiers (up to 1300 W) with integrated Quick**Smart**DSP, and delivers up to 134 dB SPL utilizing high-sensitivity transducers designed and engineered by EV (18-inch EVS-18C subwoofer). The EKX amplifier incorporates intelligent thermal management (with a variable-speed fan controlled by multiple onboard sensors) which ensures superior performance and reliability in demanding environmental conditions. Powered subwoofer models allow easy setup via three (3) presets (Music, Live, Club), sub/top system-match crossovers, five (5) user-programmable presets (Store and Recall settings), visual monitoring of limiter status, input level meters, and master volume control to ensure optimal gain structure. Adapted from our touring systems, EV's exclusive Cardioid Control Technology allows output to be steered towards the audience with up to 35 dB reduction on stage when multiple subs are deployed.

EKX powered models are ideal for portable and installed applications, with lightweight and compact 15-mm wood enclosures with internal bracing, durable EVCoat finish, aluminum pole-mounts, and all-metal handles.

## Technical specifications

Frequency Response (-3 dB):	40 Hz - 150 Hz <sup>1</sup>
Frequency Range (-10 dB):	35 Hz - 180 Hz <sup>1</sup>
Maximum SPL:	134 dB peak <sup>2</sup>
Power Rating:	1300 W
LF Transducer:	EVS-18C 457 mm (18 in)
Low Pass Frequency:	Adjustable: 80 Hz, 100 Hz, 120 Hz, 150 Hz
Connectors:	(2) XLR/TRS combo jacks and (2) XLR link outputs
Enclosure:	15 mm plywood with EVCoat
Grille:	18 AWG steel with powdercoat

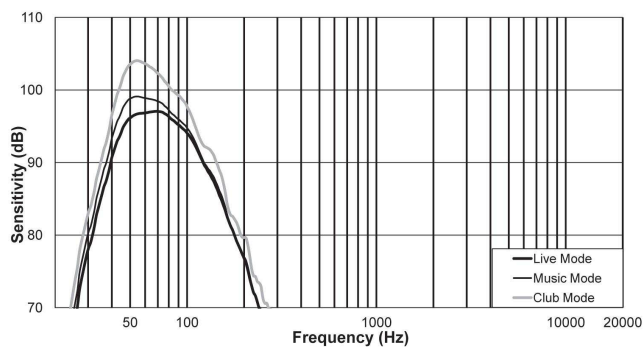
## 2 | EKX-18SP

Dimensions (H x W x D):	520 mm x 606 mm x 612 mm (20 in x 24 in x 24 in)
Net Weight:	32.8 kg (72.4 lb)
Shipping Weight:	41.2 kg (90.9 lb)
Power Consumption:	1.8 A <sup>3</sup>

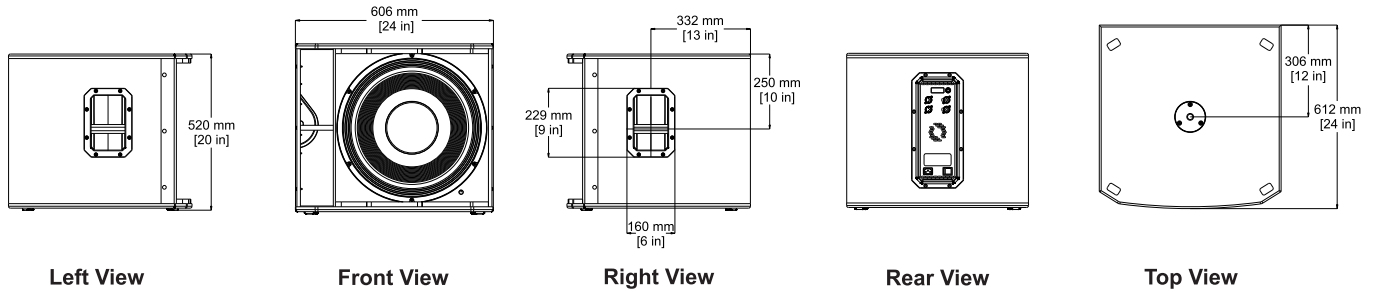
1. Half Space Measurement.
2. Maximum SPL is measured at 1 m using broadband pink noise at maximum output.
3. Current rating is 1/8 power.

## System overview

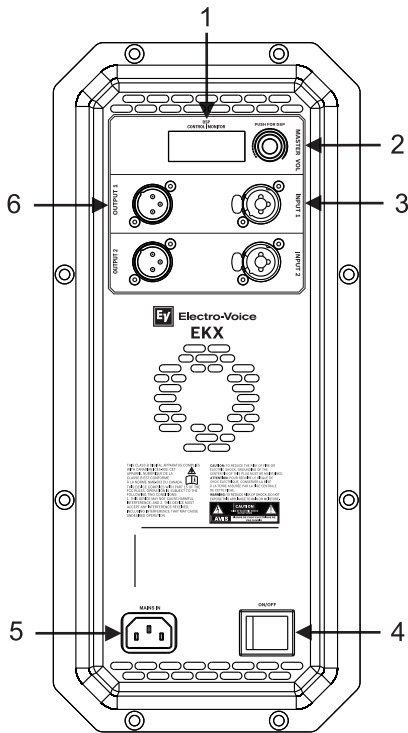
### Frequency response:



### Dimension drawing:



**Subwoofer amplifier panel:**



1. **LCD** – DSP control and monitoring interface.
2. **MASTER VOL** – Adjusts the sound level.  
**DSP** – Scroll through the menu and select the available choices. Push the MASTER VOL knob to enter the DSP menu.
3. **INPUT** – Balanced input for the connection of signal sources like mixing consoles, instruments, or microphones. Connections can be established using ¼ inch TRS or XLR connectors.
4. **POWER** – AC switch for switching the power ON or OFF. The LCD screen lights up when the power is turned ON, after approximately 3 seconds.
5. **MAINS IN** – AC connection is established via an IEC-connector.
6. **OUTPUT** – XLR output sends the input signal to another loudspeaker or subwoofer. INPUT 1 is linked to OUTPUT 1 and INPUT 2 is linked to OUTPUT 2. The MASTER VOL or DSP control settings do not affect OUTPUT.

For more information, see EKX Powered Loudspeakers User Manual (F.01U.308.095).

## Ordering information

**EKX-18SP-US**

Powered 18-inch subwoofer US cord, black  
Order number **EKX-18SP-US**

**EKX-18SP-EU**

Powered 18-inch subwoofer EU cord, black  
Order number **EKX-18SP-EU**

**EKX-18SP-AP**

Powered 18-inch subwoofer Asia-Pacific regions, black  
Order number **EKX-18SP-AP**

**Accessories**

**EKX-18S Cover**

Padded cover for EKX-18S/18SP, EV logo, black  
Order number **EKX-18S-CVR**

**Represented by:**

**Germany:**  
Bosch Sicherheitssysteme GmbH  
Robert-Bosch-Ring 5  
85630 Grasbrunn  
Germany

Bosch Security Systems, Inc.  
12000 Portland Avenue South  
Burnsville MN 55337  
USA

www.electrovoice.com