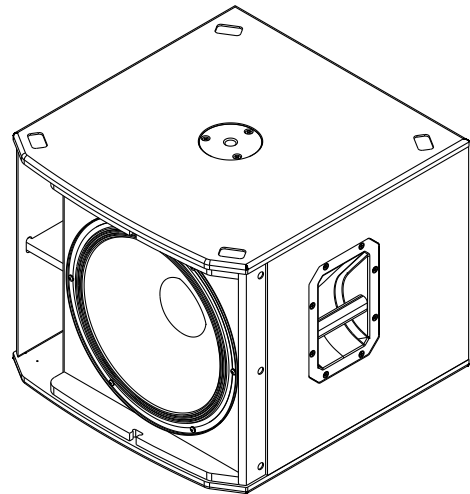


# EKX-15S



- 1600 W (peak), 133 dB SPL utilizing high-sensitivity transducers designed and engineered by EV.
- Lightweight, compact 15-mm wood enclosure with internal bracing and durable EVCoat finish.
- Large slot ports for low distortion and excellent bass extension.
- Metal grille reinforcement bar.
- M20 threaded pole mount plate.



The EKX series is the newest member of the Electro-Voice portable loudspeaker family, and combines legendary EV sound quality and reliability with the latest technology – all in a compact package suitable for a wide range of sound reinforcement scenarios, including musicians/DJs and live/club/installed sound applications. The EKX series features eight (8) models (four (4) powered and four (4) passive), including 12-inch and 15-inch two-way models and 15-inch and 18-inch subwoofers. EKX-15S delivers up to 133 dB SPL utilizing high-sensitivity transducers designed and engineered by EV (15-inch EVS-15C subwoofer). EKX passive models are ideal for portable and installed applications, with lightweight and compact 15-mm wood enclosures with internal bracing, durable EVCoat finish, aluminum pole-mounts, and all-metal handles.

## Technical specifications

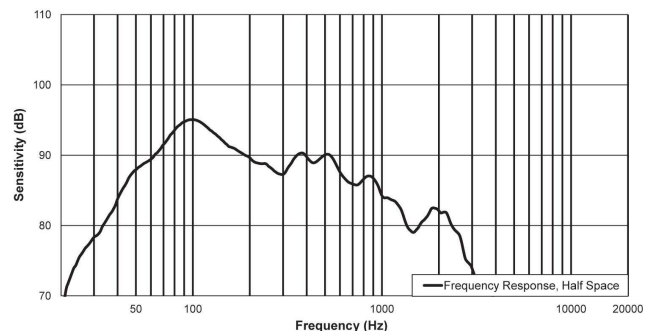
Frequency Response (-3 dB):	60 Hz - 100 Hz <sup>1</sup>
Frequency Range (-10 dB):	40 Hz - 300 Hz <sup>1</sup>
Axial Sensitivity:	95 dB <sup>1</sup>
Maximum SPL:	133 dB <sup>2</sup>
Rec. High-Pass Frequency:	35 Hz
Power Handling:	400 W continuous, 1600 W peak
LF Transducer:	EVS-15C 381 mm (15 in)
Nominal Impedance:	8 Ohms

Minimum Impedance:	7.5 Ohms
Connectors:	Dual NL4
Enclosure:	15 mm plywood with EVCoat
Grille:	18 AWG steel with powdercoat
Dimensions (H x W x D):	455 in x 530 mm x 551 mm (18 in x 21 in x 22 in)
Net Weight:	24.9 kg (55.0 lb)
Shipping Weight:	31.3 kg (69.0 lb)

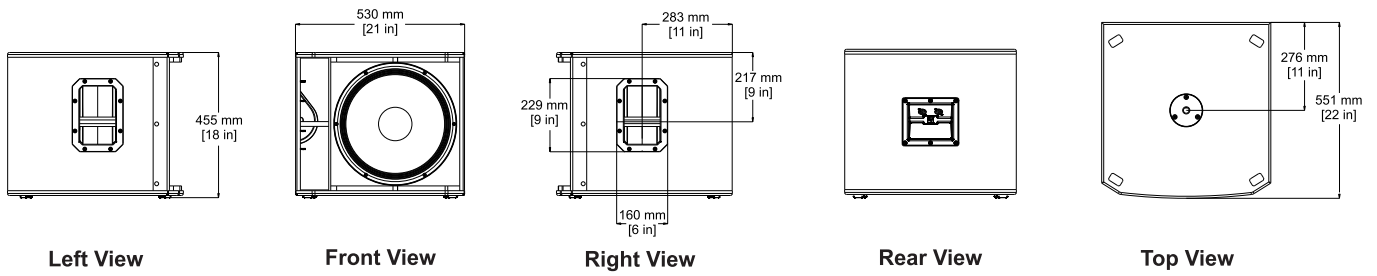
1. Half Space Measurement.
2. Maximum SPL is measured at 1 m using broadband pink noise at rated peak power rating.

## System overview

### Frequency response:



**Dimensions:**



**Ordering information**

**EKX-15S**

Passive 15-inch subwoofer, black  
Order number **EKX-15S**

**EKX-15S-AP**

Passive 15-inch subwoofer Asia-Pacific regions, black  
Order number **EKX-15S-AP**

**Accessories**

**EKX-15S Cover**

Padded cover for EKX-15S/15SP, EV logo, black  
Order number **EKX-15S-CVR**

**Represented by:**

**Germany:**

Bosch Sicherheitssysteme GmbH  
Robert-Bosch-Ring 5  
85630 Grasbrunn  
Germany

Bosch Security Systems, Inc.  
12000 Portland Avenue South  
Burnsville MN 55337  
USA

[www.electrovoice.com](http://www.electrovoice.com)