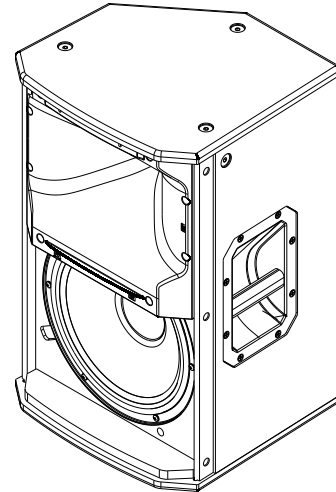


## EKX-12



- 1400 W (peak), 131 dB SPL utilizing high-sensitivity transducers designed and engineered by EV.
- EV-patented Signal Synchronized Transducers (SST) waveguide design provides precise and consistent coverage.
- Lightweight, compact 15-mm wood enclosure with internal bracing and durable EVCoat finish.
- Eight (8) M10 threaded mounting points, aluminum pole-mounts, and all-metal handles.
- 90° x 60° pattern coverage for best coverage on mid-size stages and 40° monitor angle with rubber feet.



The EKX series is the newest member of the Electro-Voice portable loudspeaker family, and combines legendary EV sound quality and reliability with the latest technology – all in a compact package suitable for a wide range of sound reinforcement scenarios, including musicians/DJs and live/club/installed sound applications. The EKX series features eight (8) models (four (4) powered and four (4) passive), including 12-inch and 15-inch two-way models and 15-inch and 18-inch subwoofers. EV-engineered components, Signal Synchronized Transducers (SST) waveguide design provides precise coverage and superior sound quality at high SPLs. EV's award-winning industrial design – with robust wood enclosures and durable EVCoat finish – ensures that EKX speakers look as great as they sound. EKX-12 delivers up to 131 dB SPL utilizing high-sensitivity transducers designed and engineered by EV (12-inch EVS-12M woofer coupled with a DH-1M 1-inch titanium compression driver). EKX passive models are ideal for portable and installed applications, with lightweight and compact 15-mm wood enclosures with internal bracing, durable EVCoat finish, eight (8) M10 threaded mounting points, aluminum pole-mounts, and all-metal handles.

## Technical specifications

Frequency Response (-3 dB):	82 Hz - 18 kHz <sup>1</sup>
Frequency Range (-10 dB):	55 Hz - 20 kHz <sup>1</sup>
Axial Sensitivity:	55 Hz - 20 kHz <sup>1</sup>
Maximum SPL:	131 dB <sup>2</sup>
Rec. High-Pass Frequency:	55 Hz
Coverage (H x V):	90° x 60°
Power Handling:	350 W continuous, 1400 W peak
LF Transducer:	EVS-12M 300 mm (12 in)
HF Transducer:	DH-1M 1-inch titanium compression driver
Crossover Frequency:	1.6 kHz
Nominal Impedance:	8 Ohms
Minimum Impedance:	7.5 Ohms
Connectors:	Dual NL4
Enclosure:	15 mm plywood with EVCoat
Grille:	18 AWG steel with powdercoat
Suspension:	(8) M10 threaded mounting points
Dimensions (H x W x D):	607 mm x 375 mm x 356 mm (24 in x 15 in x 14 in)

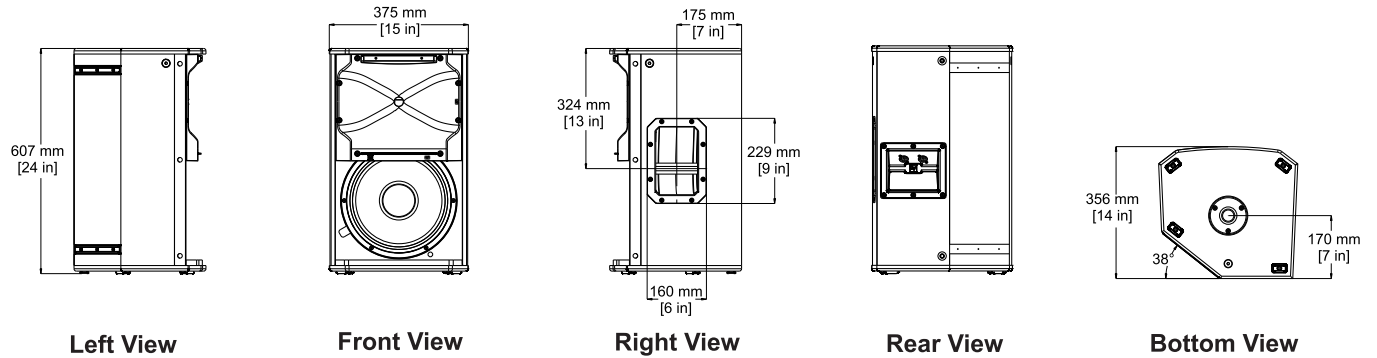
Net Weight: 17.4 kg (38.3 lb)

Shipping Weight: 21.4 kg (47.2 lb)

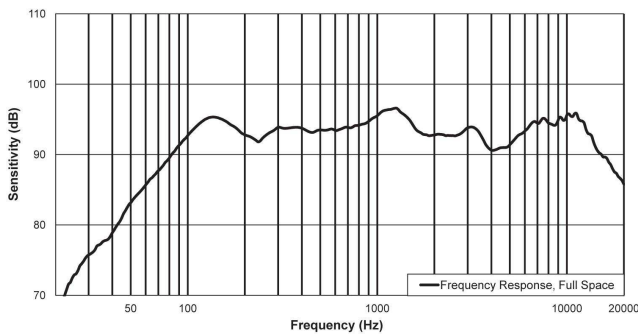
1. Full Space Measurement.
2. Maximum SPL is measured at 1 m using broadband pink noise at rated peak power rating.

## System overview

### Dimensions:



### Frequency response:



### Caution!

This Electro-Voice loudspeaker should be suspended overhead only in accordance with the procedures and limitations specified in the User's Manual and possible manual update notices. This system should be suspended with certified rigging hardware by an authorized rigging professional and in compliance with local, state, and federal overhead suspension ordinances.



## Ordering information

### EKX-12

Passive 12-inch 2-way loudspeaker, black  
Order number **EKX-12**

### EKX-12-AP

Passive 12-inch 2-way loudspeaker Asia-Pacific regions, black  
Order number **EKX-12-AP**

### Accessories

#### EKX-12/12P Wall Mount Bracket

Wall mount bracket for EKX-12/12P, black  
Order number **EKX-BRKT12**

#### EKX-TCA Truss Adaptor

Truss adaptor for EKX-12/12P or EKX-15/15P, black  
Order number **EKX-TCA**

#### EKX-12 Cover

Padded cover for EKX-12/12P, EV logo, black  
Order number **EKX-12-CVR**

#### EBK-M10 Eyebolt Attachment Kit

Forged M10 eyebolt kit, set of 3  
Order number **EBK-M10-3PACK**

### Represented by:

**Germany:**  
Bosch Sicherheitssysteme GmbH  
Robert-Bosch-Ring 5  
85630 Grasbrunn  
Germany

Bosch Security Systems, Inc.  
12000 Portland Avenue South  
Burnsville MN 55337  
USA

www.electrovoice.com