

Safety

1. Read these instructions.
2. Keep these instructions.
3. Heed all warnings.
4. Follow all instructions.
5. Do not use this apparatus near water other than explicitly called out in the EVERSE 8 User manual.
6. Clean only with a dry cloth.
7. Do not block any ventilation openings. Install in accordance with the manufacturer's instructions.
8. Do not install near any heat sources such as radiators, heat registers, stoves, or other apparatus (including amplifiers) that produce heat.
9. Only use attachments/accessories specified by the manufacturer.
10. Use only with the cart, stand, tripod, bracket, or table specified by the manufacturer, or with the apparatus. When a cart is used, use caution when moving the cart/apparatus combination to avoid injury from tip-over.
11. Unplug the apparatus during lightning storms or when unused for long periods of time.
12. No naked flame sources, such as lighted candles, should be placed on the apparatus.
13. To reduce the risk of fire or electric shock, do not expose this apparatus to rain or moisture in any other method than the ones explicitly called out in the EVERSE 8 User manual. The apparatus should not be exposed to dripping or splashing without the included weather cover or accessory rain cover, as covered in the EVERSE 8 User manual. Objects filled with liquids, such as vases should not be placed on apparatus.

Warning!

Do not suspend this product in any other manner than explicitly described in the EVERSE 8 User manual, or Electro-Voice installation guides. Do NOT use handles to suspend the loudspeaker. Handles on Electro-Voice loudspeakers are intended to only be used for temporary transport by people. Items, such as fiber rope, wire rope, cables, or other types of materials cannot be used to suspend loudspeaker from the handles.

Warning!

Use of non-authorized accessories or attachments with this or any Electro-Voice product is at your own discretion. Use of non-authorized accessories or attachments can result in product malfunction, injury, or death.

The user assumes all liability and may result in the warranty being voided.

Short information

Parts included

Quantity	Component
1	Tray mounting base
1	Tray
1	Hook and loop strap
1	DC power cable
1	Quick installation guide

Features

- Mounting tray with a secure mounting surface for wireless microphone receivers like Electro-Voice RE3 or R300, and other equipment such as tablets or smartphones.
- DC power cable included to power your RE3 or R300 receiver with the EVERSE8's battery.
- Available in black and white.

Connection

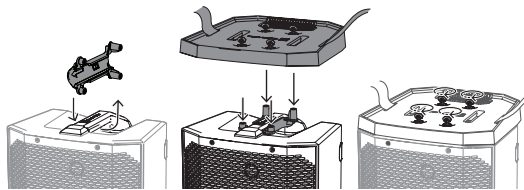


Notice!

Power off both the EVERSE 8 speaker and the wireless microphone receiver before connecting the tray.

To attach the EVERSE8 tray:

1. Clip the handle adapter on the EVERSE 8 speaker handle.
The arrow in the handle adapter should point towards the front of the speaker.
2. Line up the screws of the handle adapter with the screw holes on the tray.
3. Finger tighten the screws.



To attach and connect a wireless microphone receiver to the EVERSE8 speaker:

1. Place the wireless microphone receiver on top of the EVERSE8 tray.

2. Secure the wireless microphone receiver with the hook and loop strap.
3. Connect one end of the DC power cable to the DC power output on the EVERSE8 speaker.
4. Connect the other end of the DC power cable to the wireless microphone receiver.

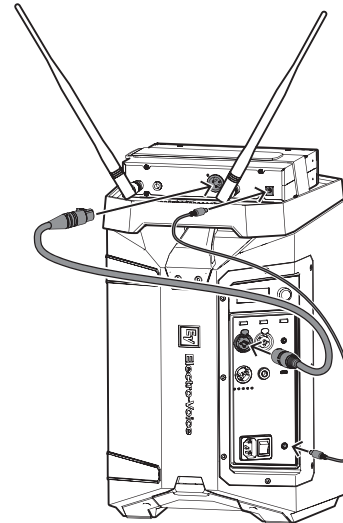
Notice!

Ensure you are using the supplied DC power cable to connect your EVERSE8 speaker to the Electro-Voice Electro-Voice RE3 or R300 wireless microphone receivers.



Always ensure voltage, current and polarity are correct for the devices you are connecting. Refer to your devices user manual for details on operation.

5. Connect one end of the XLR cable to the XLR input on the EVERSE8 speaker (**INPUT1** or **INPUT2**).
6. Connect the other end of the XLR cable to the wireless microphone receiver XLR output.



7. Power on the EVERSE8 speaker.
8. Press the input selection soft key to select the input channel (**INPUT1** or **INPUT2**).
The soft key will illuminate once selected.
9. Adjust the selected input level to **MUTE**.
10. Power on the wireless microphone receiver.
Ensure the receiver audio level is adjusted according to the wireless system instructions.
11. Increase the selected **INPUT** level to the desired level.
Refer to the EVERSE 8 User manual for details on setting input and system levels.

Notice!

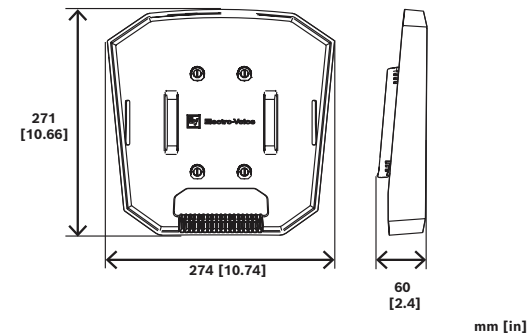


For more information on adjusting microphone levels, refer to chapter 6 of the EVERSE8 User manual, Input & Mixer operation.

Technical data

Material	Polypropylene
Color	Black or white
Cable length (mm)	500 mm
Cable length (in)	19.7 in
Cable color	Black
Connector OD (mm)	5.5 mm
Connector ID (mm)	2.5 mm
Connector length (mm)	11 mm
Weight (kg)	0.493 kg
Weight (lb)	1.0 lb
Shipping weight (kg)	0.810 kg
Shipping weight (lb)	1.8 lb
Dimension (H x W x D) (mm)	310 mm x 330 mm x 88 mm
Dimension (H x W x D) (in)	12.2 in x 13.0 in x 3.5 in

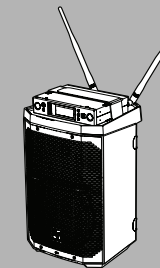
Dimensions



mm [in]

EVERSE 8 tray

EVERSE8-TRAY-B, EVERSE8-TRAY-W



en Quick installation guide



Bosch Security Systems, LLC

12000 Portland Avenue South
Burnsville MN 55337
USA

www.electrovoice.com

© Bosch Security Systems, LLC, 2022

Bosch Sicherheitssysteme GmbH

Robert-Bosch-Ring 5
85630 Grasbrunn
Germany

© Bosch Sicherheitssysteme GmbH, 2022

