

ZUMBA LOUD™

SELF POWERED, 2-WAY
BASS-REFLEX LOUDSPEAKER

USER
MANUAL

ZL12M

ZL15M

ZL15PRO



Powered by:

UNIQUE . POWERFUL . LOUD

DSB®



SYSTEM FEATURES

ZL-12M, ZL-15M, ZL-15PRO Self Powered, Two-Way, Bass-Reflex Loudspeaker

Congratulations on your purchase of the ZL PRO loudspeaker system! We know you are excited to stream some music, and this section will help you set up in less than no time!

The ZL 12M, ZL-15M, ZL-15PRO are Self Powered two-way bass-reflex Loudspeakers designed for all-in-one solution use wherever great performance, control, and clear rich sound are desired. This loudspeaker delivers quality sound for everyone whether it be musicians, mobile DJing, public address or for installation in clubs, lounges, bars, schools - The sky is the limit! Whether level on the floor or pole-mounted, ZL provides stunning sonic impact and clear, rich sound that no one will be able to resist.

- ZL-12M: 42Hz-20Khz, Max SPL 125dB. 1000W power.
- ZL-15M: 40Hz-20Khz, Max SPL 130dB. 1000W power.
- ZL-15PRO: 40Hz-20Khz, Max SPL 135dB. 2000W power.
- 12" and 15" woofer for low-end punch in a compact enclosure and 1.75" high-frequency titanium compression driver.
- LCD Media player with, USB, BLUETOOTH and TWS technology. (Only ZL-12M,ZL-15M).
- Input level meters and independent amplifier control to ensure optimal gain structure.
- Front lighted logo for power on indication.
- Three handles including hi/lo grip makes for the most portable professional sound speaker in the market.

ZL-12M, 12" Self Powered, Two-Way, Bass-Reflex Loudspeaker

Features include: 12" woofer and a 1.75" compression driver with a 250W continuous (RMS) high-quality Class-AB Bi-amplifier. Time aligned electronic crossover with 2nd order filter at 1 KHz and subsonic 2nd order filter at 35Hz. Ergonomically designed handles support an easy grip for better handling. Tripod/Pole mount capable, allows for an array of configurations. Includes Power and Clip LED indicators, XLR and TSR combo inputs and XLR line output. The Equalizer provides 120 Hz +/- 6dB Bass and 1200HZ +/- 6dB Middle and 10KHZ +/- 6dB Treble.

- 12" woofer (PRO-Z12) for low-end punch in a compact enclosure and 1.75" high-frequency titanium compression driver (PRO-DR1.75).
- Durable composite construction with innovative hi/lo grip design for easy tripod stand mounting.
- 42Hz-20KHz frequency range.
- 250W Continuous (RMS), 1000W Peak power handling.
- 96dB SPL sensitivity, 125 dB Max SPL.
- Class-AB Bi-amplifier.
- MP3 player with LCD display, USB, BLUETOOTH and TWS technology.
- Aluminum back plate.
- 5 *M8 Rigging points.
- Heavy-duty steel grill.
- XLR mix output.
- XLR/TRS combo input with MIC/LINE selector.
- USB player with folder search function.

ZL-15M, 15" Self Powered, Two-Way, Bass-Reflex Loudspeaker

Features include: 15" woofer and a 1.75" compression driver with a 250W continuous (RMS) high-quality Class-AB Bi-amplifier. Time aligned electronic crossover with 2nd order filter at 1 KHz and subsonic 2nd order filter at 35Hz. Ergonomically designed handles support an easy grip for better handling. Tripod/Pole mount capable, allows for an array of configurations. Includes Power and Clip LED indicators, XLR and TSR combo inputs and XLR line output. The Equalizer provides 120 Hz +/- 6dB Bass and 1200HZ +/- 6dB Middle and 10KHZ +/- 6dB Treble.

- 15" woofer (PRO-Z15) for low-end punch in a compact enclosure and 1.75" high-frequency titanium compression driver (PRO-DR1.75).
- Durable composite construction with innovative hi/lo grip design for easy tripod stand mounting.
- 40Hz-20KHz frequency range.
- 250W continuous (RMS) ,1000W Peak power handling.
- 98dB SPL sensitivity, 130 dB Max SPL.
- Class-AB Bi-amplifier.
- MP3 player with LCD display, USB, BLUETOOTH and TWS technology.
- Aluminum back plate.
- 5 *M8 Rigging points.
- Heavy-duty steel grill.
- XLR mix output.
- XLR/TRS combo input with MIC/LINE selector.
- USB player with folder search function.

ZL-15PRO, 15" Professional Self Powered, Two-Way, Bass-Reflex Loudspeaker

Features include: 15" woofer and a 1.75" compression driver with a 500W continuous (RMS) high-quality Class-H Bi-amplifier. Time aligned electronic crossover with 4th order filter at 2KHz and subsonic 4th order filter at 30Hz. Speaker is stand mountable with heavy duty steel front grill, ergonomic handles, power and clip LED indicators, XLR and TSR combo inputs and XLR line output. The Equalizer provides 120 Hz +/- 6dB Bass and 1200HZ +/-6dB Middle and 10KHZ +/- 6dB Treble.

- 15" woofer (PRO-Z15P) for low-end punch in a compact enclosure and 1.75" high-frequency titanium compression driver (PRO-DR1.75).
- Durable composite construction with innovative hi/lo grip design for easy tripod stand mounting.
- 40Hz-20KHz frequency range.
- 500W Continuous (RMS), 2000W Peak power handling.
- 99dB SPL sensitivity, 135 dB Max SPL.
- Class-H Bi-amplifier.
- Aluminum back plate.
- 5 *M8 Rigging points.
- Heavy-duty steel grill.

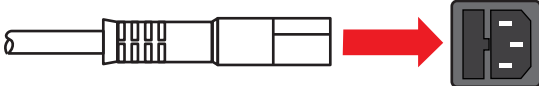


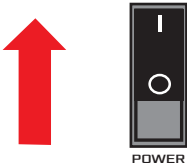

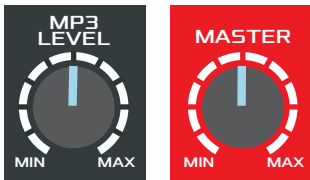


QUICK SETUP

The ZL series loudspeakers include a fully integrated audio system with carefully matched electronics and transducers. These products make it easy to setup a high quality sound system quickly with a minimum amount of cables and external electronic.


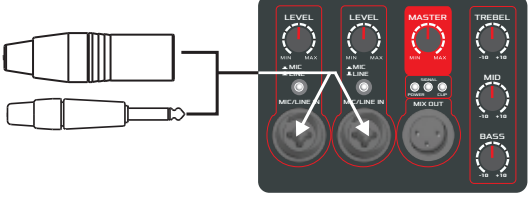

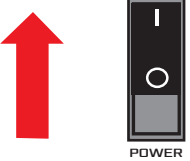
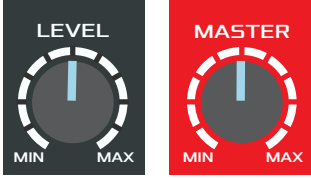
MODELS ZL12M AND ZL15M

To setup a full-range powered loudspeaker.

STEP	ILLUSTRATION
1. Connect the supplied AC power cord on the rear of the speaker to an available power outlet.	
2. Insert your USB flash to the USB connector.	
3. Turn the MP3 LEVEL and MASTER knobs to the MIN position.	
4. Turn on the POWER switch.	
5. Press PLAY button.	
6. Adjust the MP3 LEVEL and MASTER knob to the desired volume.	

MODEL ZL15PRO

To setup a full-range powered loudspeaker.

STEP	ILLUSTRATION
<p>1. Connect the supplied AC power cord on the rear of the speaker to an available power outlet.</p>	
<p>2. Connect the XLR or TRS cable from an audio source to the CH1 or CH2 input.</p>	
<p>3. Turn the LEVEL and MASTER knobs to the MIN position.</p>	
<p>4. Turn on the POWER switch.</p>	
<p>5. Adjust the LEVEL and MASTER knob to the desired volume.</p>	

UNIQUE . POWERFUL . LOUD



TRIPOD AND FLOOR MONITOR OPERATION

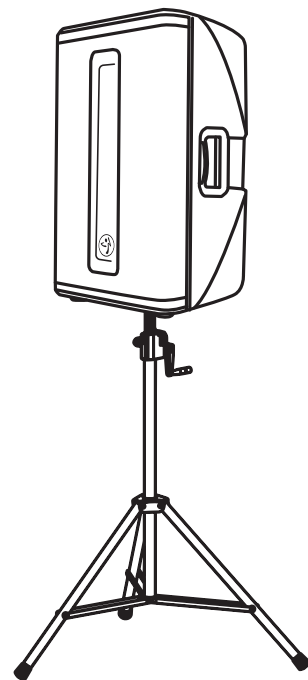
Mounting a Loudspeaker on a Tripod Stand



CAUTION! Two person lift and placement is recommended for the heavier loudspeakers. Single person lift and placement of heavier loudspeakers may result in injury.

To mount a loudspeaker on a tripod stand:

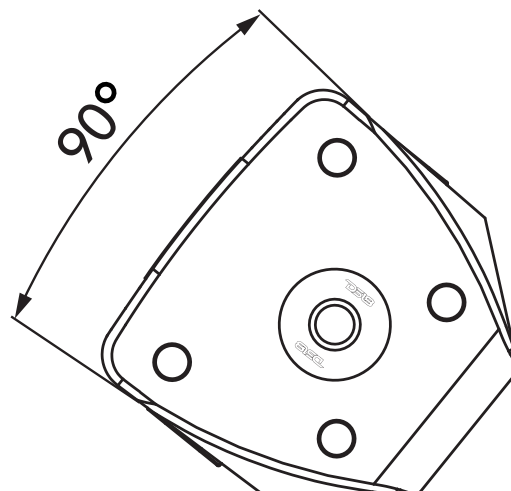
- Place the tripod stand on a level stable surface.
- Fully extend the legs of the tripod stand.
- Do not compromise the tripod stands structural integrity by trying to make the stand taller.
- Do not attempt to suspend more than one loudspeaker on a stand designed for a single loud speaker.
- Using two hands lift the loudspeaker.
- Insert the tripod through the hole on the bottom of the loudspeaker.



FLOOR MONITOR

To setup a loudspeaker as a floor monitor:

- Place the loudspeaker on a level stable surface.
- Safely route cables to prevent injury to performers, production crew, and audience members.



AMPLIFIER CONTROLS

The amplifier has a combination of controls and connectors to ensure the most versatile loudspeaker system.

Full-Range Loudspeaker Control

The full-range loudspeaker control menu selections are available for the ZL-12M and ZL-15M.

ZL-12M AND ZL-15M AMPLIFIER PANEL

1. LINE/MIC INPUT

These balanced inputs accept a standard XLR (female) connector and a 1/4 " TRS phone jack connector. A range of signals from microphones, audio mixing consoles, and electronic musical instruments may be connected here. The sensitivity of this input is controlled by the LINE/MIC SWITCH. This input does not provide phantom power.

2. LINE/MIC SWITCH

The selector must be in the "MIC" position for MIC inputs. The MIC setting should only be used if a microphone is connected directly to the in MIC/LINE input.

CAUTION: Using the MIC setting for other purposes may introduce distortion. The line input the selector must be in the "Line" position. The LINE setting should be used for most other audio inputs.

3. INPUT LEVEL KNOB

Sets the sensitivity of input A and B channel which controls the signal level sent to the amplifier and the mix out .

4. MP3 LEVEL KNOB

Turn this knob to adjust the input volume of USB flash or Bluetooth input.

5. MASTER KNOB

To adjusts master volume of all inputs (the Mix out will not be controlled by this knob.)

6. EQ KNOB (TREBLE MID & BASS)

Use these knobs to adjusts the 3 different frequencies of the speaker.

TREBLE: Increases or decrease the high frequency for MIC/LINE/MP3 sources at a range between -10dB to +10dB.

MID: Increases or decrease the middle frequency for MIC/LINE/MP3 sources at a range between -10dB to +10dB.

BASS: Increases or decrease the Low frequency for MIC/LINE/MP3 sources at a range between -10dB to +10dB.

7. MIX OUT

Output XLR is a mix of channels A/B and MP3 player. Produces a line-level output signal that is Post Gain. Any adjustments made to the gain of these A/B channel and MP3 affects this output signal. It works as signal output to link the other active speaker.

8. AC INPUT

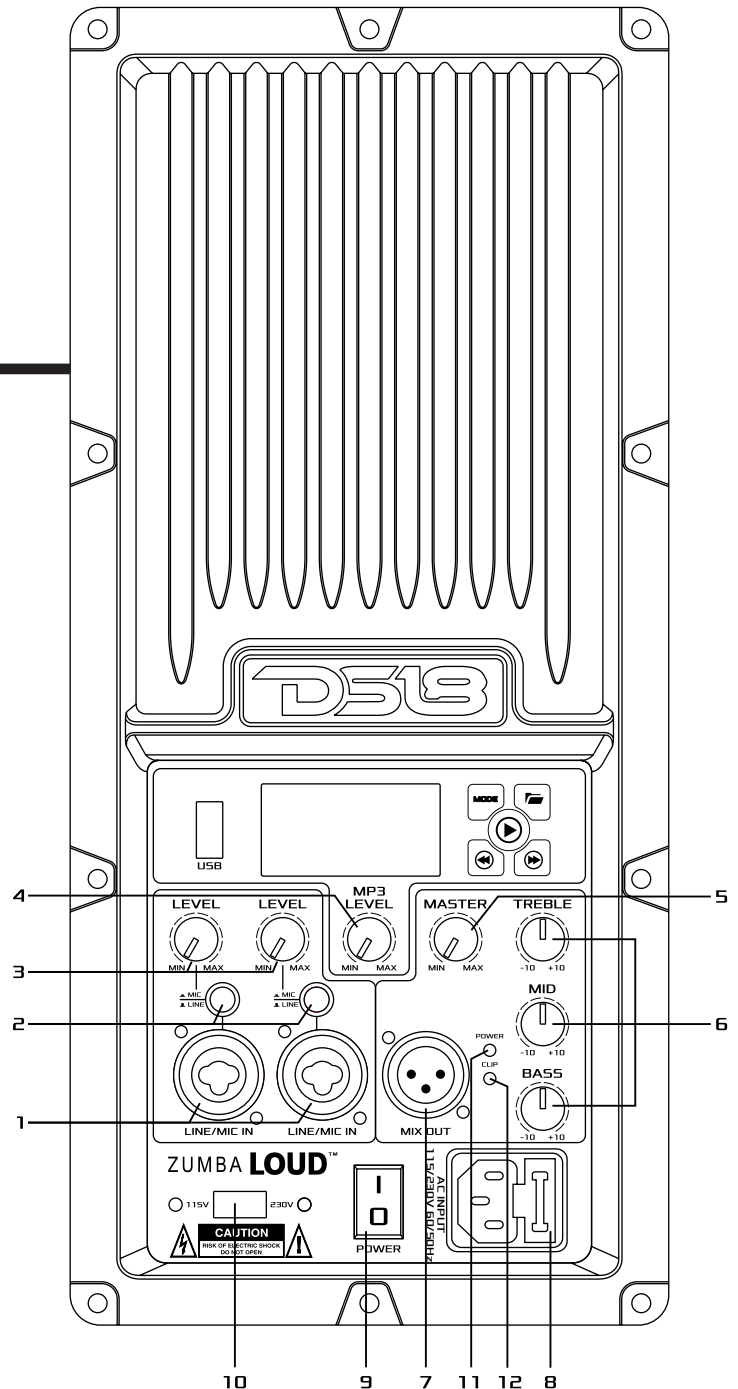
Standard IEC AC input connector. 230V/5A AC fuse.

9. POWER SWITCH

Will illuminate when power is applied to the unit and the ON/OFF switch is in the ON position.

10. VOLTAGE SELECTOR

Allows user selection of different local voltage ratings 115V/60Hz - 230V/50Hz.



11. POWER LED (BLUE)

When power is applied to the unit and the ON/OFF switch is in the ON position this LED will be illuminated.

12. LIMITER LED (RED)

This LIMIT LED illuminates when the output power is in overload. The red clip LED indicates that limiting has taken place to protect and avoid damage to the amplifier or loud-speaker. Continuously over driving the system will cause distortion and may lead to premature failure to the speaker system. If the red limit led is on when both LEVEL controls are at minimum, your loudspeaker requires service by qualified professional.

MEDIA PLAYER

13. USB PORT

Connect your USB flash drive here to play music.

14. DISPLAY

Display the media panel modes for USB & Bluetooth.

15. MODE

Press this button to switch USB or Bluetooth mode.

16. PREVIOUS

Press this button to play the previous song.

17. PLAY/PAUSE

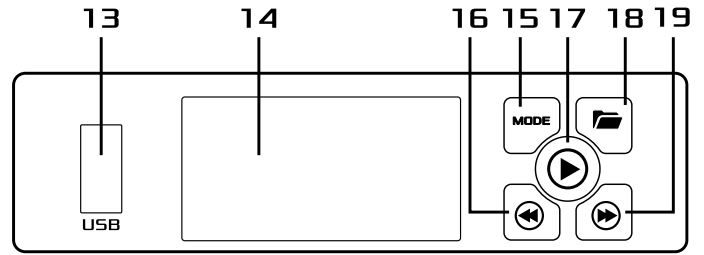
Plays or pauses the USB or Bluetooth media panel source.

18. FOLDER

Press this button to select your MP3 files in USB flash.

19. NEXT

Press this button to play the next song.



ZL-15PRO AMPLIFIER PANEL

1. LINE/MIC INPUT

These balanced inputs accept a standard XLR (female) connector and a 1/4" TRS phone jack connector. A range of signals from microphones, audio mixing consoles, and electronic musical instruments may be connected here. The sensitivity of this input is controlled by the LINE/MIC SWITCH. This input does not provide phantom power.

2. LINE/MIC SWITCH

The selector must be in the "MIC" position for MIC inputs. The MIC setting should only be used if a microphone is connected directly to the in MIC/LINE input.

CAUTION: Using the MIC setting for other purposes may introduce distortion. The line input selector must be in the "Line" position. The LINE setting should be used for most other audio inputs.

3. INPUT LEVEL KNOB

Sets the input sensitivity which controls the signal level sent to the amplifier and the mix out.

4. MASTER KNOB

Adjusts the master volume of all inputs. (The mix out will not be controlled by this knob.)

5. EQ KNOB TREBLE

Increases or decrease the high frequency for MIC/LINE sources at a range between -10dB to +10dB.

6. EQ KNOB MID

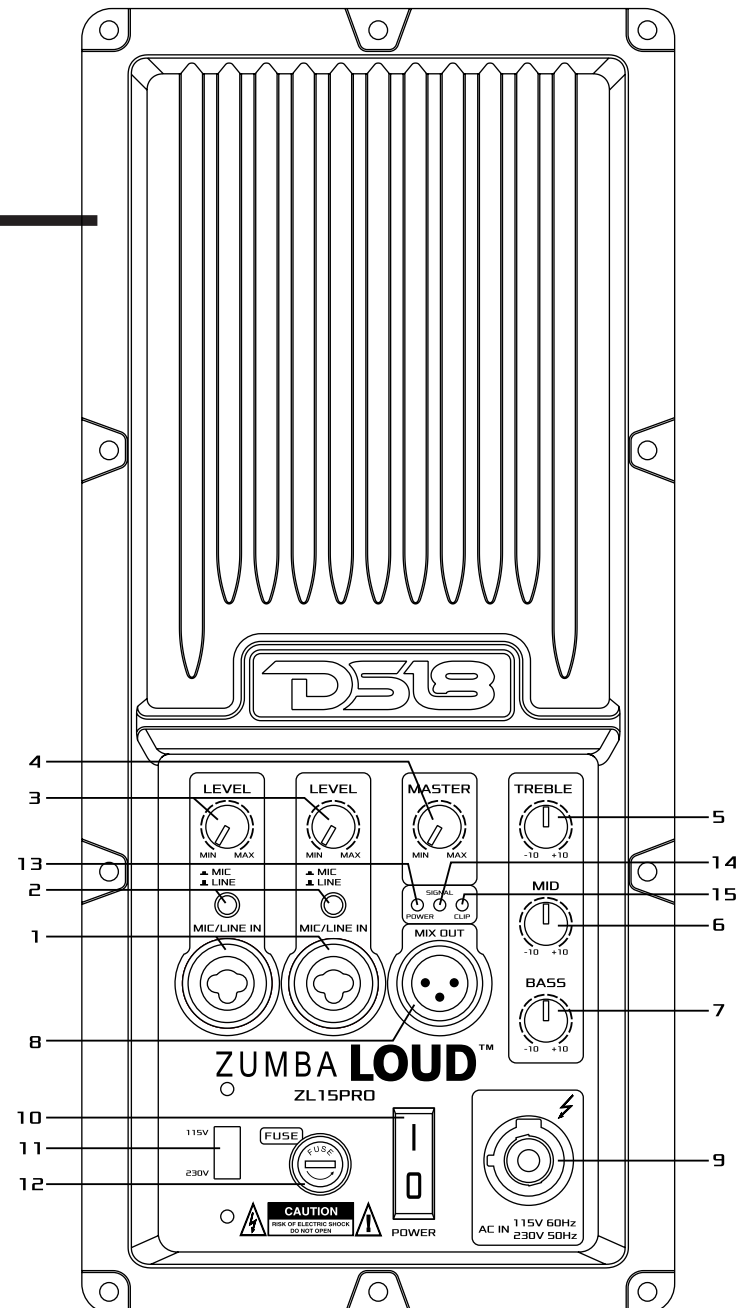
Increases or decrease the middle frequency for MIC/LINE sources at a range between -10dB to +10dB.

7. EQ KNOB BASS

Increases or decrease the Low frequency for MIC/LINE sources at a range between -10dB to +10dB.

8. MIX OUT

Output XLR is a mix of MIC/line channel, AUX IN channel and MP3 player. Produces a line-level output signal that is Post Gain. Any adjustments made to the gain of these knobs will affect this output signal. It works as signal output to link the other active speaker.



9. AC INPUT

Standard power control AC input connector.

10. POWER SWITCH

Turns the power on.

11. VOLTAGE SELECTOR

Allows user selection of different local voltage ratings 115V/60Hz - 230V/50Hz.

12. AC FUSE

250V/6.3A Fuse.

13. POWER LED (BLUE)

When power is applied to the unit and the ON/OFF switch is in the ON position this LED will be illuminated.

14. SIGNAL LED

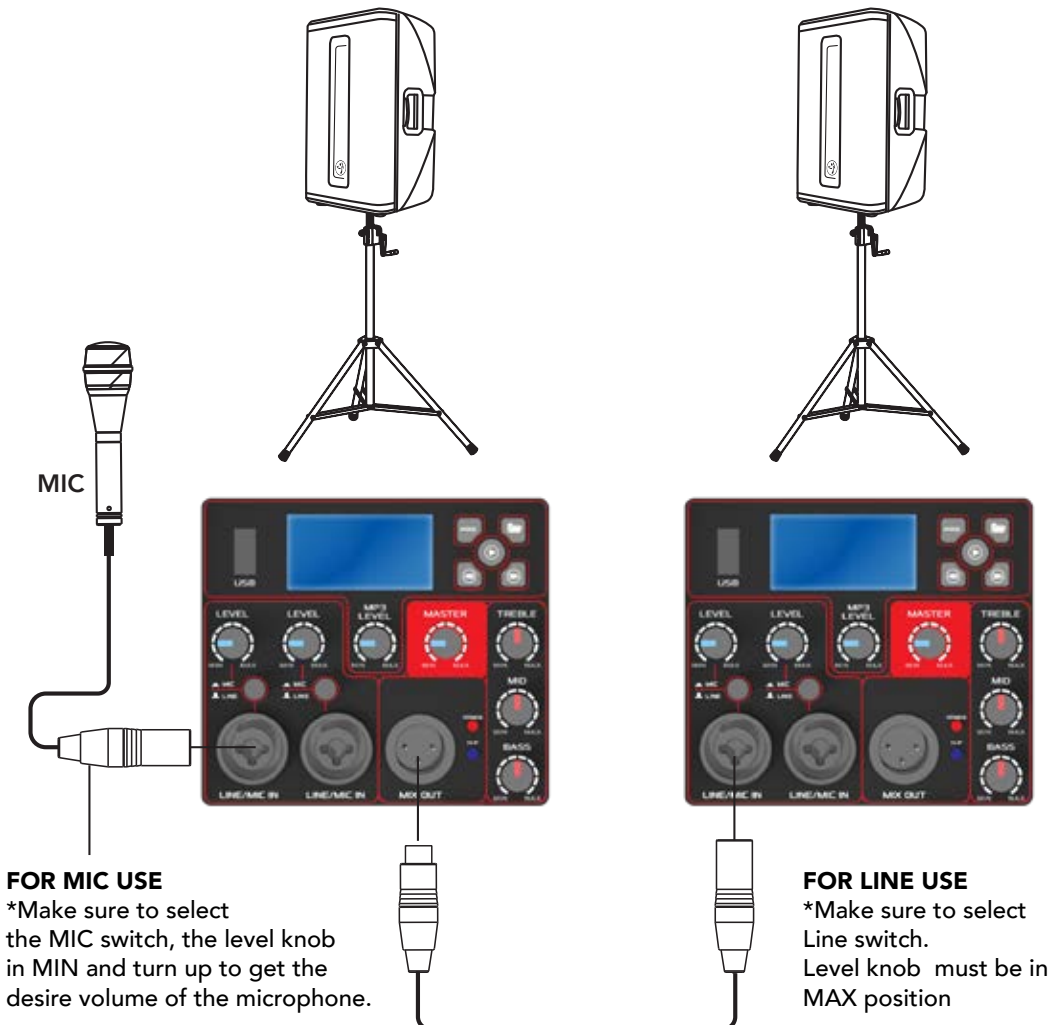
When illuminated (green), this indicates a signal is present. If this LED is not illuminated, the input signal is missing or too low detect.

15. CLIP LED (RED)

This LIMIT LED illuminates when the output power is in overload. The red clip LED indicates that limiting has taken place to protect and avoid damage to the amplifier or loud-speaker. Continuously over driving the system will cause distortion and may lead to premature failure to the speaker system. If the red limit led is on when both LEVEL controls are at minimum, your loudspeaker requires service by qualified professional.

RECOMMENDED CONFIGURATIONS

Daisy-chaining full-range systems








TWS MODE

1. Turn OFF both speakers.
2. Access Bluetooth application on the phone, and select "forget" or "remove" ZL12M or / and ZL15M from the phone, so it won't interfere with TWS connection, you will reconnect to it after.
3. Turn on both speakers and press MODE button until you reach BLUETOOTH mode on both speakers.
4. Choose which speaker you want as the master (The master speaker is the one who will control the music). Press "Play" button for 3 seconds and release.
5. You will see one speaker says MASTER and the other SLAVE
6. Insert USB or connect the phone via Bluetooth to "ZL12M or ZL15M" to the MASTER speaker.
7. Be sure to stream the music to the master device. If it is not working, you may have connected to the slave. Insert USB or connect to the other speaker.
8. To disconnect pairing, press and hold PLAY button for 3 seconds.



LDC1.2 LONG DISTANCE REMOTE

1. Turn ON the speaker.
2. Insert USB and play music.
3. Press and hold the PLAY  button for 5 seconds until the MUTE  icon is show on the screen.
4. Press any button on the LDC1.2 remote until the MUTE  icon on the speaker screen desappear.

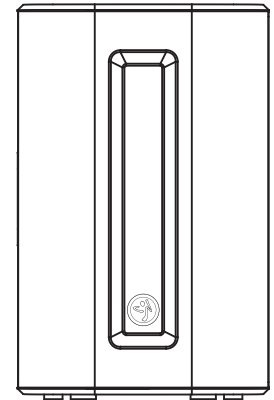
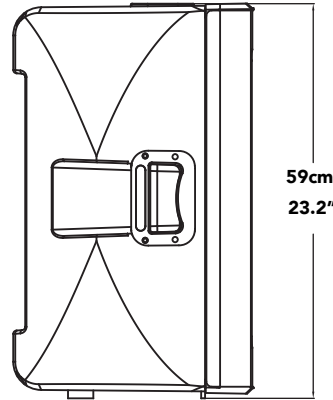
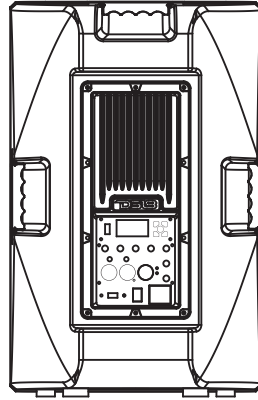
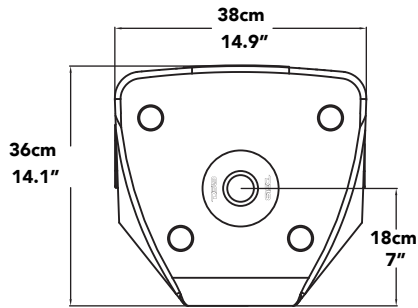


LDC1.2 Long Distance Remote sold separately.

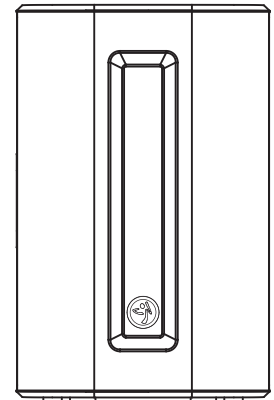
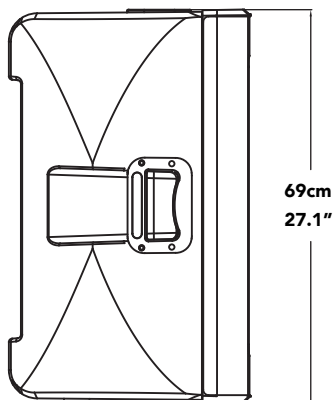
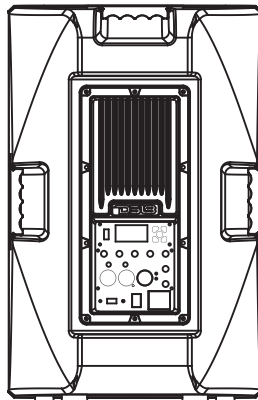
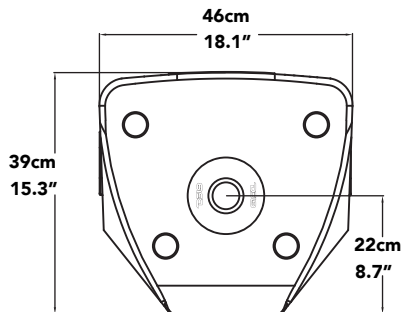


DIMENSIONS

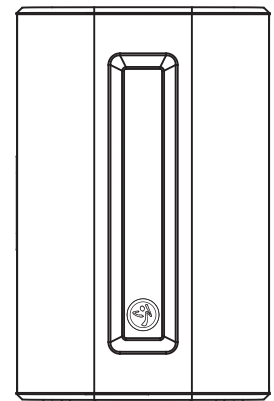
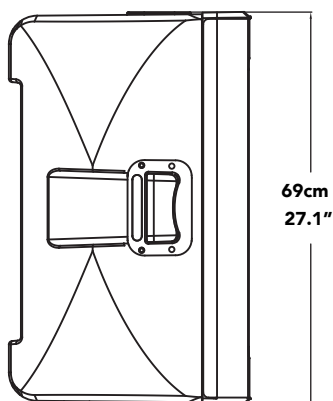
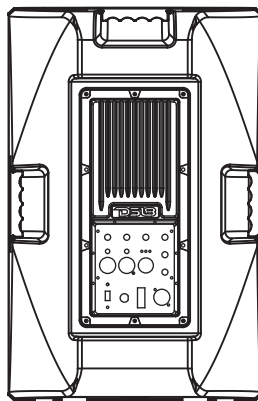
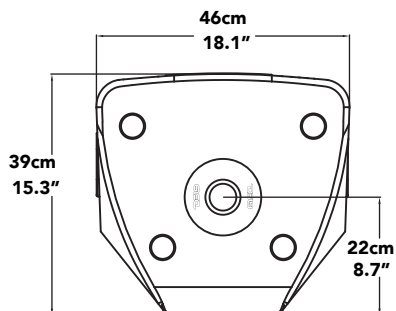
ZL-12M



ZL-15M



ZL-15PRO



ZL12M SPECIFICATION

SYSTEM:

System Type:	Self Powered 12", two-way, bass-reflex Loudspeaker
SPL Sensitivity:	96 dB
Maximum SPL Output:	125dB
Frequency Range (-10 dB):	42Hz - 20kHz
Frequency Response (-3 dB):	50Hz - 19kHz

AMPLIFIER:

System Power Rating:	250W Continuous (RMS) (200W LF + 50W HF) 500W Music Program (400W LF + 100W HF) 1000W Peak
Type:	Class A/B Toshiba Transistors with Copper Toroidal Power Supply
Input Impedance:	20k (balanced)
Line Input Gain:	Infinity to +4 dBu
Mic Input Gain:	Infinity to +6 dBu
Maximum Input Level:	Line: +4dBu / Mic: -20dBu
Equalizer:	3 band graphic EQ (Bass: 120hz +/- 6dB) (Mid: 1200hz +/- 6dB) (Treble: 10Khz +/- 6dB)
Connectors:	2 x XLR-1/4" combo inputs; Mic/Line selector 1 x XLR Mixed Output
Mp3 Player:	USB Mp3/WMA player with easy carpets and files search button, Bluetooth v4.2 with TWS (True Wireless Stereo)
LED Indicators:	Front Power LED (White) Rear Power LED (Blue) Rear Clip LED (Red)
Cooling:	Passive
AC Power Input:	100-120VAC 50/60Hz; 230-240VAC 50/60Hz
AC Power Consumption (120V~):	Full Power - 3.5A(Max)

SPEAKER:

LF Driver:	1 x PRO-Z12 (12") woofer with 2.5" voice coil, pure copper wire coil, 43oz ferrite magnet, paper cone
HF Driver:	1 x PRO-DR1.75 (1") throat horn 24 oz ferrite magnet, titanium diaphragm, 1.75" Kapton 2 layer Voice Coil and ferrofluid
Coverage Pattern:	90 x 60 degrees
Crossover Frequency:	2.1kHz

ENCLOSURE:

Material:	Polypropylene, black
Monitor Angle:	Both sides
Suspension/Mounting:	35mm pole socket, 3 x M8 Suspension points
Handles:	3
Grille:	Perforated steel with acoustically transparent black cloth backing
Dimensions (L x W x H):	36 cm x 38 cm x 59 cm 14.1" x 14.9" x 23.2"
Weight:	20.3 kg / 44.7 lb



ZL15M SPECIFICATION

SYSTEM:

System Type:	Self Powered 15", two-way, bass-reflex Loudspeaker
SPL Sensitivity:	98dB
Maximum SPL Output:	130dB
Frequency Range (-10 dB):	40Hz - 20kHz
Frequency Response (-3 dB):	50Hz - 19kHz

AMPLIFIER:

System Power Rating:	250W Continuous (RMS) (200W LF + 50W HF) 500W Music Program (400W LF + 100W HF) 1000W Peak
Type:	Class A/B Toshiba Transistors with Copper Toroidal Power Supply
Input Impedance:	20k (balanced)
Line Input Gain:	Infinity to +4 dBu
Mic Input Gain:	Infinity to +6 dBu
Maximum Input Level:	Line: +4dBu / Mic: -20dBu
Equalizer:	3 band graphic EQ (Bass: 120hz +/- 6dB) (Mid: 1200hz +/- 6dB) (Treble: 10Khz +/- 6dB)
Connectors:	2 x XLR-1/4" combo inputs; Mic/Line selector 1 x XLR Mixed Output
Mp3 Player:	USB Mp3/WMA player with easy carpets and files search button, Bluetooth v4.2 with TWS (True Wireless Stereo)
LED Indicators:	Front Power LED (White) Rear Power LED (Blue) Rear Clip LED (Red)
Cooling:	Passive
AC Power Input:	100-120VAC 50/60Hz; 230-240VAC 50/60Hz
AC Power Consumption (120V~):	Full Power - 3.5A (Max)

SPEAKER:

LF Driver:	1 x PRO-Z15 (15") woofer with 2.5" voice coil, pure copper wire coil, 50 oz ferrite magnet, paper cone
HF Driver:	1 x PRO-DR1.75 (1") throat horn 24 oz ferrite magnet, titanium diaphragm, 1.75" Kapton 2 layer Voice Coil and ferrofluid
Coverage Pattern:	90 x 60 degrees
Crossover Frequency:	2kHz

ENCLOSURE:

Material:	Polypropylene, black
Monitor Angle:	Both sides
Suspension/Mounting:	35mm pole socket, x M8 Suspension points
Handles:	3
Grille:	Perforated steel with acoustically transparent black cloth backing
Dimensions (L x W x H):	39 cm x 46 cm x 69 cm 15.3" x 18.1" x 27.1"
Weight:	26.8 kg / 59 lb

ZL15PRO SPECIFICATION

SYSTEM:

System Type:	Self Powered 15", two-way, bass-reflex Loudspeaker
SPL Sensitivity:	99dB
Maximum SPL Output:	135 dB
Frequency Range (-10 dB):	40Hz - 20kHz
Frequency Response (-3 dB):	50Hz - 19kHz

AMPLIFIER:

System Power Rating:	500W Continuous (RMS) (400W LF + 100W HF) 1000W Music Program (800W LF + 200W HF) 2000W Peak
Type:	Class H Toshiba Transistors with Copper Toroidal Power Supply
Input Impedance:	20k (balanced)
Line Input Gain:	Infinity to +4 dBu
Mic Input Gain:	Infinity to +6 dBu
Maximum Input Level:	Line: +4dBu / Mic: -20dBu
Equalizer:	3 band graphic EQ (Bass: 120hz +/- 6dB) (Mid: 1200hz +/- 6dB) (Treble: 10Khz +/- 6dB)
Connectors:	2 x XLR-1/4" combo inputs; Mic/Line selector 1 x XLR Mixed Output
LED Indicators:	Front Power LED (White) Rear Power LED (Blue) Rear Clip LED (Red) Rear Signal LED (Green)
Cooling:	Passive
AC Power Input:	100-120VAC 50/60Hz; 230-240VAC 50/60Hz
AC Power Consumption (120V~):	Full Power - 5.5A (Max)

SPEAKER:

LF Driver:	1 x PRO-Z15PRO (15") woofer with 3" voice coil, pure copper wire coil, 110 oz ferrite magnet, paper cone, aluminum basket
HF Driver:	1 x PRO-DR1.75 (1") throat horn 24 oz ferrite magnet, titanium diaphragm, 1.75" Kapton 2 layer Voice Coil and ferrofluid
Coverage Pattern:	90 x 60 degrees
Crossover Frequency:	2.5kHz

ENCLOSURE:

Material:	Polypropylene, black
Monitor Angle:	Both sides
Suspension/Mounting:	1 x 35mm pole socket 3 x M8 Suspension points
Handles:	3
Grille:	Perforated steel with acoustically transparent black cloth backing
Dimensions (L x W x H):	39 cm x 46 cm x 69 cm 15.3" x 18.1" x 27.1"
Weight:	31.8 kg / 70.1 lb



ZUMBA LOUD™

SELF POWERED, 2-WAY, BASS-REFLEX LOUDSPEAKER

Powered by:

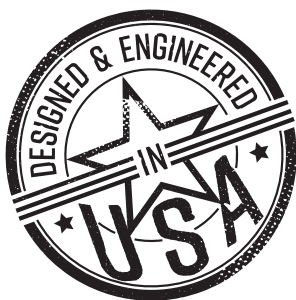


USER
MANUAL

ZL12M

ZL15M

ZL15PRO



FOR MORE INFORMATION ABOUT OUR PRODUCTS,
PLEASE VISIT OUR WEBSITE

WWW.ZUMBA.COM • WWW.DS18.COM

Zumba®, Zumba Loud™ and the Zumba logos are trademarks of Zumba Fitness, LLC, used under license.