

# P-SERIES

PORTABLE POWERED LOUDSPEAKERS

## PRODUCT OVERVIEW

The Cerwin-Vega! P-Series is a line of powerful, portable speaker systems with legendary Cerwin-Vega! performance. The P-Series combines rugged construction, extreme clarity and unmatched bass performance in an easy to use and versatile package. The P-Series family includes three active speaker products: the P1000X and P1500X full-range speakers and the P1800SX subwoofer. All are suited for any sound reinforcement application, from live performances to DJ gigs, as well as public speaking engagements.

The P1000X and P1500X are two-way, bi-amped, full-range bass-reflex speakers. The P1000X employs a 10-inch woofer, while the P1500X utilizes a 15" woofer. The systems both employ a high-frequency compression driver and are powered by a custom Class-D amplifier with a power rating of 1500 watts. A proprietary hemi-conical horn provides premium sound clarity over an even and wide coverage area. A built-in mixer with convenient I/O connections allows for simple and fast setup, while enhanced EQ, VEGA BASS boost and high-pass filters enable exact tuning and exceptional performance for any application. Both the P1000X and the P1500X are a versatile products that can be used as a single speaker for a small venue, set in pairs for a larger venue needing more coverage and SPL, or as a floor monitor for a band.

To add value and versatility for traveling bands or permanent installs, both the P1000X and P1500X enclosures are built of a lightweight, robust polymer featuring integrated ribs for durability and resonant free performance. The professional enclosure includes a unique multi-angle pole cup, comfortable ergonomic handles and built-in rigging points for suspended installations.

The P1800SX complements the P-Series with low frequency extension. The powered subwoofer employs an 18-inch woofer with a custom 2000 watt Class-D amplifier. The large woofer and matched amplifier are enclosed in a multi-ply hardwood cabinet, the combination which provides a superior punch and extreme low- frequency response, which are both Cerwin-Vega! trademarks. Like the P1000X and the P1500X, the P1800SX has frequency- shaping controls and the unrivaled VEGA BASS boost. This ensures the user can dial in the correct amount of bass for each venue. While designed for use with the P1000X and the P1500X, the P1800SX can also be used for low frequency extension with other Cerwin-Vega! tops or even other brands. Additionally, the THRU, MIX and LINK outputs allow for system expandability and fast daisy-chaining between components.

Experience POWER and PUNCH that only the new Cerwin-Vega! P-Series System can deliver.



P1800SX

P1000X

P1500X

P1500X Rearview

P1500X in  
"Monitor Mode"

P1000X and P1800SX  
in "Polemount Mode"

Specifications & appearance subject to change

Contact: 1-800-4GIBSON (1-800-444-2766)

Cerwin-Vega! Is a member of the Gibson family of brands

**CERWIN-VEGA!**  
The LOUD Speaker Company

## FEATURES/BENEFITS

- Fully integrated sound reinforcement system results in a simplified solution to delivering public address, entertainment and performance monitoring
- Rugged enclosure with multiple handle locations makes transport and setup safe and easy
- Full-range and subwoofer models use high efficiency Cerwin-Vega! components for low-frequency bass with punch
- The integrated mixer and efficient amplifier design reduces the amount of gear required for an easier setup and less worry about limited power resources
- Angle-adjustable pole mount socket, side-wedge shaped enclosure and M10-threaded suspension points support a variety of permanent and portable setups
- Stackable design to minimize transportation and storage area. Thick, powdered coated grill protects the drivers during transportation and storage
- Caster are included with the P1800SX subwoofer for easy transfer to and from the performance area

## MIXER

- Built-in 3-channel mixer with easy to identify controls, and intuitive layout for fast setup and minimal connections
- THRU, MIX or LINK outputs for fast 'daisy-chain' connections and system expandability
- User controlled digital filters and ENHANCED EQ allow the system to be tuned to the exact requirements of the event

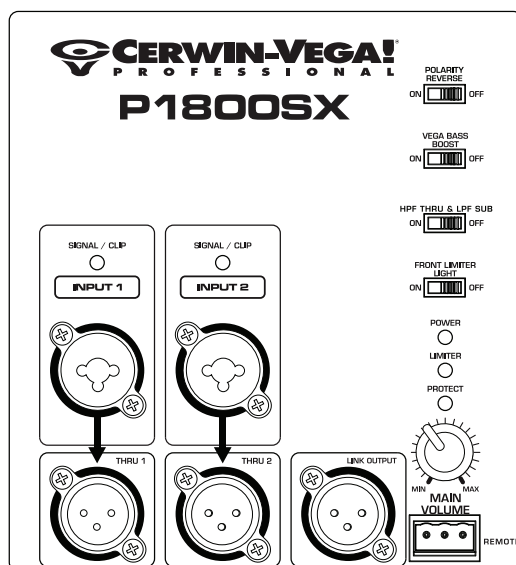
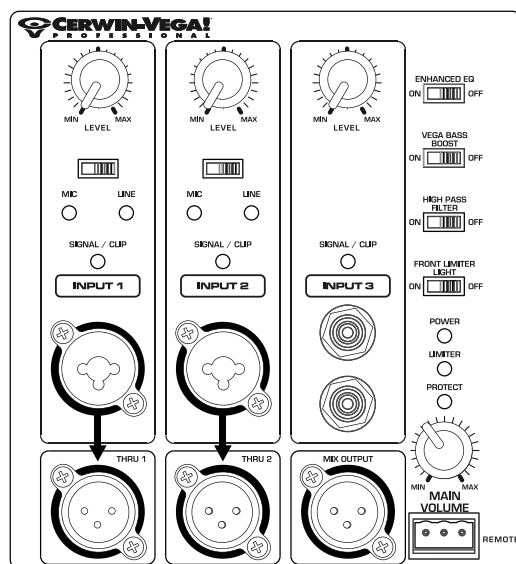
## AMPLIFIER

- P1000X and P1500X - 1500 watt Bi-amplified Class-D design and universal switching mode power supply delivers premium performance in an efficient and portable design
- The P1800SX subwoofer contains a 2000 watt Class-D amplifier design capable of delivering superior low-frequency punch
- Built-in limiter with on/off LED indicator provides essential protection to minimize the risk of down-time and prevent component damage

## SPEAKER

- Proprietary Cerwin-Vega! Hemi-Conical Waveguide provides smooth on and off axis frequency response
- High Frequency Driver – compression driver provides natural sounding instruments and vocals
- Low Frequency Driver – Metal frame, reflex loaded woofers achieve accurate bass response and provides the punch you expect from a Cerwin-Vega! system
- Direct-firing subwoofer features internal bracing to reduce enclosure resonance and increase transient performance

Rear Panel - P1000X and P1500X



Specifications & appearance subject to change

Contact: 1-800-4GIBSON (1-800-444-2766)

Cerwin-Vega! Is a member of the Gibson family of brands

**CERWIN-VEGA!**  
The LOUD Speaker Company

# P-SERIES

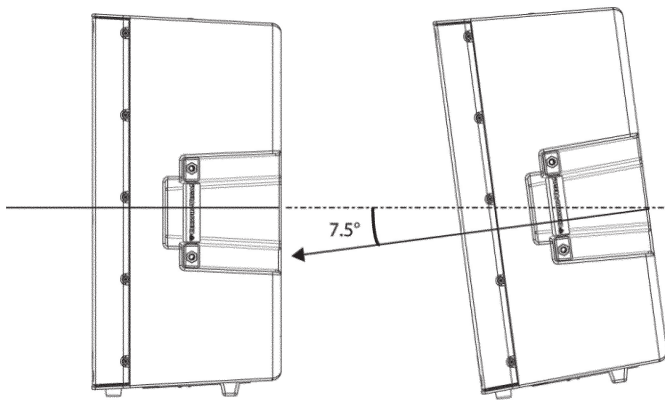
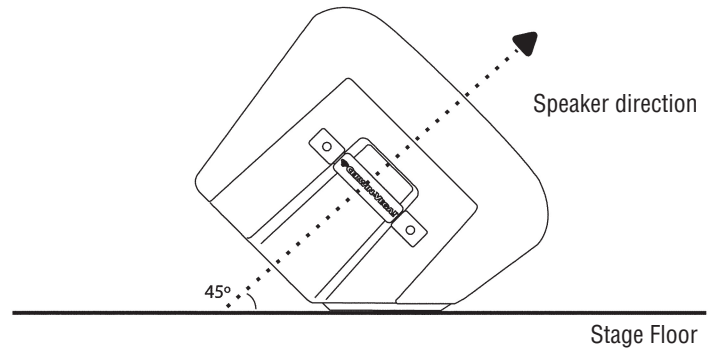
PORTABLE POWERED LOUDSPEAKERS

## PRODUCT OVERVIEW

### USABILITY

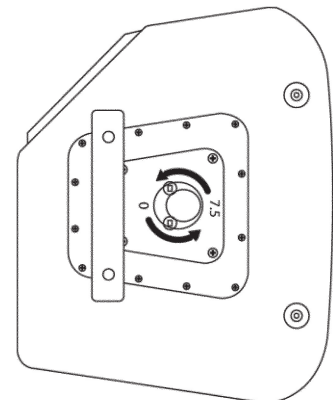
- Angle-adjustable pole mount socket, side-wedge shaped enclosure and M10-threaded suspension points support a variety of permanent and portable setups
- The pole mount socket can be angle adjusted to set the loudspeaker in a normal flat position or a 7.5 degree downward tilt for improved audience coverage from a raised position
- The P1000X offers a patented mounting mechanism allowing to tighten the pole for reduced resonance and increased stability
- An integrated rigid foot design on the side-wedge shaped enclosure provides the ability to use the P1000X and P1500X in a floor monitor configuration
- Suspended applications using M10 threaded points are conveniently built-in for vertical and horizontal orientation

### Floor Monitor

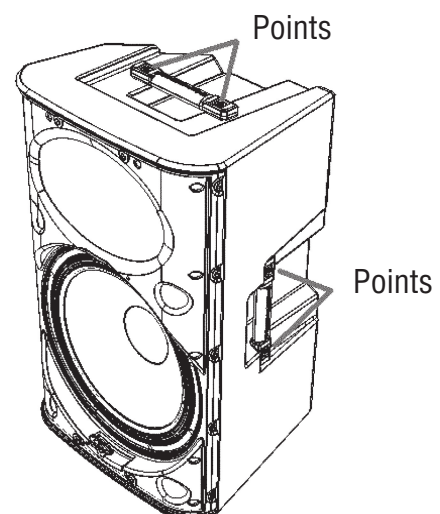
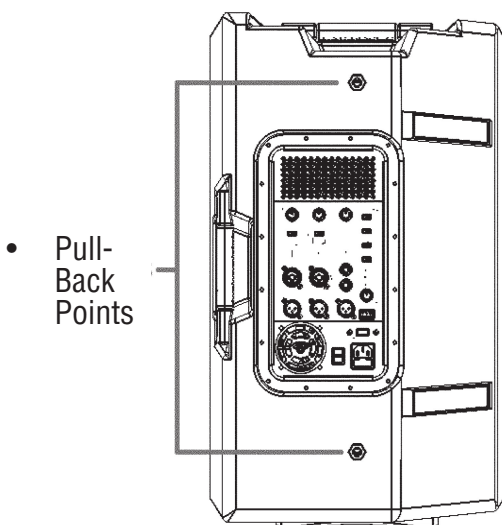


### Pole Flat or Tilt

(P1500X only)



### Suspension



Specifications & appearance subject to change

Contact: 1-800-4GIBSON (1-800-444-2766)

Cerwin-Vega! Is a member of the Gibson family of brands

**CERWIN-VEGA!**  
The LOUD Speaker Company

# P-SERIES

PORTABLE POWERED LOUDSPEAKERS

## PRODUCT OVERVIEW

<b>SPECIFICATIONS</b>	<b>P1000X</b>	<b>P1500X</b>	<b>P1800SX</b>
System Type:	Active 2-way full-range, bass reflex	Active 2-way full-range, bass reflex	Active Subwoofer, bass reflex
Frequency Range (+3 / -10 dB):	51 Hz – 22.5 KHz	49.8 Hz – 23.5 kHz	31.5 Hz – 272.0 Hz
Frequency Response (±3 dB):	61 Hz – 20.6 KHz	55.0 Hz – 20.5 kHz	38.0 Hz – 183.0 Hz
Nominal Coverage (-6 dB):	90° Horizontal, 65° Vertical	90° Horizontal, 65° Vertical	not applicable
Maximum SPL(1) @ 1m:	128 dB	134 dB	136 dB
Amplifier Type:	Class D	Class D	Class D
System Dynamic Power Rating:	1000 Watts	1500 Watts	2000 Watts
Low Frequency Driver:	10"	15"	18"
High Frequency Driver:	1¼" diaphragm, 1" exit	1¼" diaphragm, 1" exit	not applicable
Connectors:	CH 1&2 - Neutrik™ XLR/TRS inputs, CH3 Dual ¼" TS THRU 1&2 - XLR, MIX - XLR	CH 1&2 - Neutrik™ XLR/TRS inputs, CH3 Dual ¼" TS THRU 1&2 - XLR, MIX - XLR	CH 1&2 - Neutrik™ XLR/TRS inputs THRU 1&2 - XLR, LINK - XLR
Impedance:	CH 1&2 – 20 kΩ, CH3 – 10 kΩ	CH 1&2 – 20 kΩ, CH3 – 10 kΩ	CH 1&2 – 20 kΩ
Indicators:	Signal/Clip, Power, Limiter, Protect	Signal/Clip, Power, Limiter, Protect	Signal/Clip, Power, Limiter, Protect
Enclosure:	Polymer cabinet, flush waveguide	Polymer cabinet, flush waveguide	18mm reinforced wood cabinet
Grille:	18 gauge, perforated steel	18 gauge, perforated steel	18 gauge, perforated steel
Mounting & Suspension:	35mm custom pole socket 6 x M10 suspension	7.5" or flat, 35mm pole socket 4 x M10 suspension, 2 x M10 pull-back	35mm pole socket
Operating Temperature:	-20° to 55°C	-20° to 55°C	-20° to 55°C
Dimensions (H x W x D):	20.9" x 12.2" x 12.2" (532mm x 310mm x 310mm)	27.5" x 17.0" x 13.5" (699mm x 432mm x 343mm)	24.25" x 20.0" x 24.5" (616mm x 508mm x 622mm)
Weight:	38.5 LBS / 17.46 Kg	53.0 lbs (24.0 kg)	84.0 lbs (38.1 kg) with casters 77.0 lbs (34.9 kg) without casters
Shipping Dimensions (H x W x D):	25.5" x 15" 15" (648mm x 381mm x 381mm)	32.0" x 21.5" x 18.5" (813mm x 546mm x 470mm)	27.25" x 22.0" x 26.5" (692mm x 559mm x 673mm)
Shipping Weight:	46 LBS / 20.86 Kg	60.5 lbs (27.4 kg)	93.5 lbs (42.4 kg)
Fuse (5mm x 20mm):	T8A/250V (120V version) T4A/250V (240V version) T8A/250V (120V version) T4A/250V (240V version)	T8A/250V (120V version) T4A/250V (240V version)	T8A/250V (120V version) T4A/250V (240V version)

## PACKAGE CONTENTS

P1000X active loudspeaker, P1500X active loudspeaker or P1800SX active subwoofer, multi-language manual, power cord (2M, 10Amps), spare fuse (located inside fuse holder), wheel casters with mounting hardware (P1800SX only), RCA - ¼" TS adapters (P1000x and P1500X only)

3/14 Version 3.14

Specifications & appearance subject to change

Contact: 1-800-4GIBSON (1-800-444-2766)

Cerwin-Vega! Is a member of the Gibson family of brands

 **CERWIN-VEGA!**  
The **LOUD** Speaker Company