

LHM 0626/00 Ceiling Loudspeaker

www.boschsecurity.com



BOSCH
Invented for life



- ▶ Suitable for speech and music reproduction
- ▶ Increased sensitivity
- ▶ Flush-mounted in ceilings
- ▶ Unobtrusive white metal grille
- ▶ Complies with international installation and safety regulations

The LHM 0626/00 is an economic flush-mounting ceiling loudspeaker for general-purpose applications. It is a full-range loudspeaker for speech and music reproduction in shops, department stores, schools, offices, sports halls, hotels and restaurants.

The LHM 0626/00 has a single-piece, 6 W, dual-cone loudspeaker. A 100 V matching transformer is mounted on the back of the frame. The circular metal grille is an integrated part of the front, and is finished in an unobtrusive white color (RAL 9010).

Certifications and approvals

All Bosch loudspeakers are designed to withstand operating at their rated power for 100 hours in accordance with IEC 268-5 Power Handling Capacity (PHC) standards. Bosch has also developed the Simulated Acoustical Feedback Exposure (SAFE) test to demonstrate that they can withstand two times their rated power for short durations. This ensures extra reliability under extreme conditions, leading to higher customer satisfaction, longer operating life, and much less chance of failure or performance deterioration.

Safety	Acc. to EN 60065
Region	Certification
Europe	CE

Installation/configuration notes

Installation

The assembly is quickly installed into a hole in the ceiling cavity and secured with three white-colored screws (supplied). A circular template for marking a 165 mm (6.5 in) diameter hole is included with the loudspeaker.

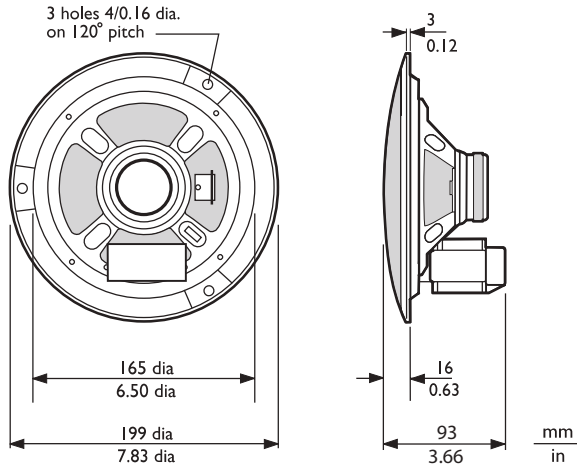
Terminal Block

The unit has a two-way terminal block with screw connections suitable for loop-through wiring. Four primary taps are provided on the matching transformer to allow selection of nominal full-power, half-power, quarter-power or eighth power radiation (i.e. in 3 dB steps).

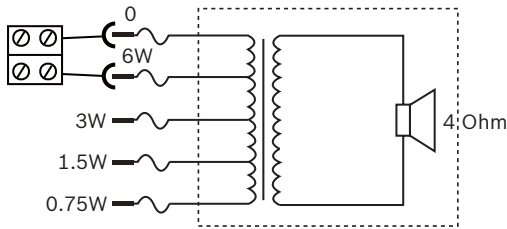
Fire dome

During a fire, the ceiling cavity in which loudspeakers are installed can allow flames to spread throughout a building. To prevent fire entering the cavity via the loudspeaker, the ceiling loudspeaker can be fitted with

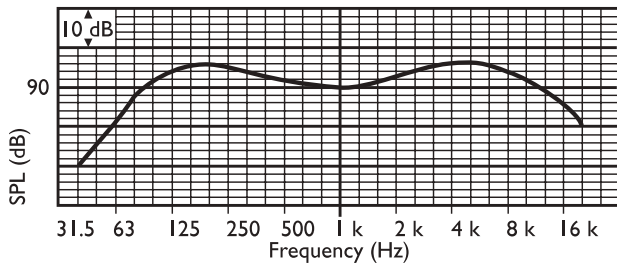
a protective steel fire dome (LBC 3080/01). This optional fire dome is mounted on the loudspeaker assembly using four self-tapping screws, supplied as standard. There are four knock-out holes; two (2) for rubber grommets (supplied) and two (2) for cable glands. (PG13).



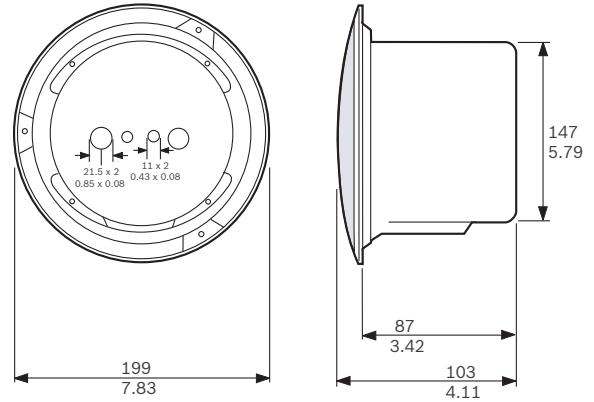
Dimensions in mm (in)



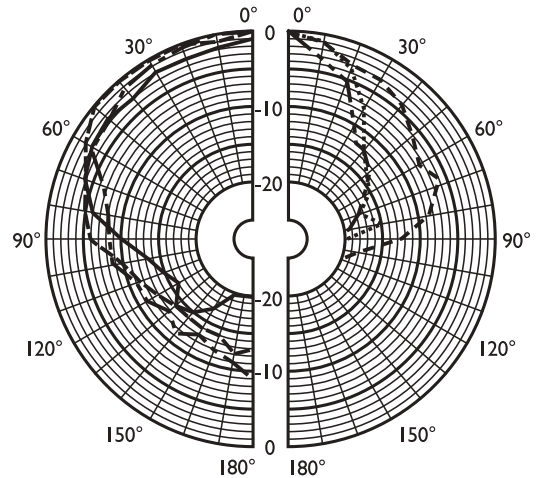
Circuit diagram



Frequency response



LHM-0626/00 + LBC 3080/01 fire dome assembly dimensions



Polar diagram (measured with pink noise)

Octave band sensitivity *

	Octave SPL 1W/1m	Total octave SPL 1W/1m	Total octave SPL Pmax/1m
125 Hz	94	-	-
250 Hz	91	-	-
500 Hz	88	-	-
1000 Hz	91	-	-
2000 Hz	93	-	-
4000 Hz	96	-	-
8000 Hz	92	-	-

Octave band opening angles

	Horizontal	Vertical	
125 Hz	150	150	
250 Hz	140	140	
500 Hz	180	180	
1000 Hz	160	160	
2000 Hz	140	140	
4000 Hz	55	55	
8000 Hz	45	45	

Acoustical performance specified per octave

Parts included

Quantity	Component
1	LHM 0626/00 Ceiling Loudspeaker
3	White colored screws
1	165 mm circular template

Technical specifications

Electrical*

Maximum power	9 W
Rated power	6 W (6 / 3 / 1.5 / 0.75 W)
Sound pressure level at 6 W / 1 W (1 kHz, 1 m)	99 dB / 91 dB (SPL)
Sound pressure level at 6 W / 1 W (4 kHz, 1 m)	104 dB / 96 dB
Effective frequency range (-10 dB)	70 Hz to 18 kHz
Opening angle at 1 kHz / 4 kHz (-6 dB)	160° / 55°
Rated voltage	100 V

Rated impedance	1667 Ohm
Connector	2-pole screw terminal

* Technical performance data acc. to IEC 60268-5

Mechanical

Diameter	199 mm (7.8 in)
Maximum depth	77 mm (3.03 in)
Mounting cut-out	165 + 5 mm (6.5 + 0.20 in)
Speaker diameter	152.4 mm (6 in)
Weight	900 g (1.98 lb)
Color	White (RAL 9010)
Magnet weight	150 g (5.3 oz)

Environmental

Operating temperature	-25 to +55 °C (-13 °F to +131 °F)
Storage temperature	-40 to +70 °C (-40 °F to +158 °F)
Relative humidity	<95%

Ordering information

LHM 0626/00 Ceiling Loudspeaker

Ceiling loudspeaker, 6 W, integrated circular metal grille, screw mounted with 3 white screws (included), white RAL 9010.

Order number **LHM0626/00**

Accessories

LBC 3080/01 Fire Dome

Metal fire dome for the LBC 3087/41, LBC 3090/01, LBC 3090/31, LHM 0606/00, LHM 0606/10, and LHM 0626/00 ceiling loudspeakers, EN54-24 certified, flame red RAL 3000.

Order number **LBC 3080/01**

LBC 3080/11 Fire Dome

Metal fire dome for LBC 3087/41, LBC 3090/01, LBC 3090/31, LHM 0606/00, LHM 0606/10 and LHM 0626/00 ceiling loudspeakers, white RAL 9010.

Order number **LBC3080/11**

Represented by:

Americas:

Bosch Security Systems, Inc.
12000 Portland Avenue South
Burnsville MN 55337, USA
Phone: +1-800-392-3497
Fax: +1-800-955-6831
audiosupport@us.bosch.com
www.boschsecurity.com

Europe, Middle East, Africa:

Bosch Security Systems B.V.
P.O. Box 80002
5617 BA Eindhoven, The Netherlands
Phone: + 31 40 2577 284
Fax: +31 40 2577 330
emea.securitysystems@bosch.com
www.boschsecurity.com

Asia-Pacific:

Robert Bosch (SEA) Pte Ltd, Security
Systems
11 Bishan Street 21
Singapore 573943
Phone: +65 6571 2808
Fax: +65 6571 2699
apr.securitysystems@bosch.com
www.boschsecurity.asia

China:

Bosch (Shanghai) Security Systems Ltd.
201 Building, No. 333 Fuquan Road
North IBP
Changning District, Shanghai
200335 China
Phone +86 21 22181111
Fax: +86 21 22182398
www.boschsecurity.com.cn

America Latina:

Robert Bosch Ltda Security Systems Division
Via Anhanguera, Km 98
CEP 13065-900
Campinas, Sao Paulo, Brazil
Phone: +55 19 2103 2860
Fax: +55 19 2103 2862
latam.boschsecurity@bosch.com
www.boschsecurity.com