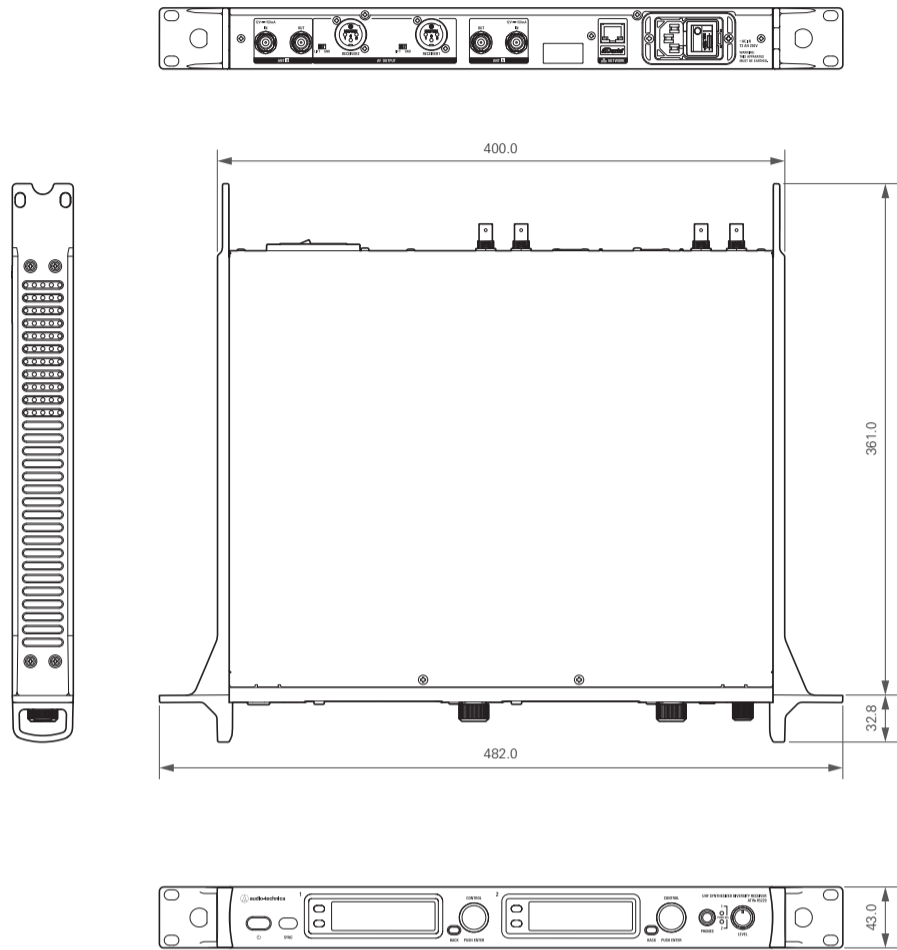


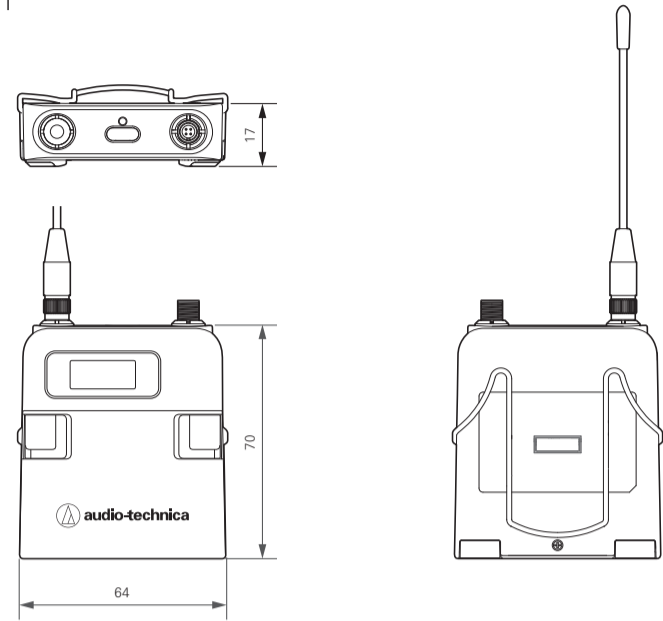


Dimensions

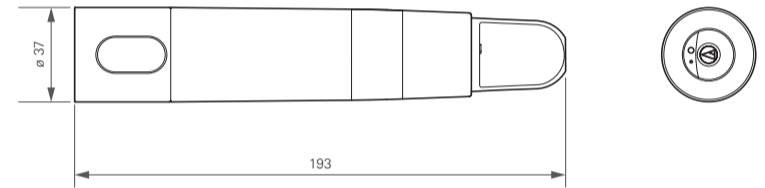
■ ATW-R5220 / ATW-R5220DAN



■ ATW-T5201



■ ATW-T5202



Specifications

Overall system specifications

Operating frequencies ^{*1}	Frequency range	Number of frequencies
ATW-R5220/ATW-R5220DAN		
Band DG1:	470.125 to 699.875 MHz	9,191
Band DF1:	470.125 to 607.875 MHz, 657.100 to 662.900 MHz	5,511+233
ATW-T5201/ATW-T5202		
Band DE1:	470.125 to 590.000 MHz	4,796
Band EG1:	580.000 to 699.875 MHz	4,796
Band FE2:	580.000 to 607.875 MHz, 657.100 to 662.900 MHz	1,116+223
Minimum frequency step	25 kHz	
Modulation mode	FM	
Maximum deviation	ATW-T5201: ±40 kHz (THD:10%) ATW-T5202: ±40 kHz (THD:10%)	
Dynamic range	ATW-T5201 Mic input: 120 dB or higher (A-weighted), typical ATW-T5201 Inst input: 107 dB or higher (A-weighted), typical ATW-T5202: 116 dB or higher (A-weighted), typical	
Total harmonic distortion	1.0 % or less (at 1 kHz, ±17.5 kHz deviation)	
Operating range ^{*2}	100 m (328')	
Frequency response ^{*3}	ATW-T5201: 23 to 16,300 Hz ATW-T5202: 33 to 16,300 Hz	

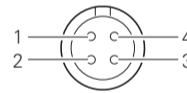
*1 Note that some frequency bands might not be available in country or region in which you live, or could come with a limited tuning bandwidth/ transmitting power due to local regulations.
*2 Open range environment with no interfering signals.
*3 Depending on attached microphone element.

ATW-R5220/ATW-R5220DAN

Receiving system	True diversity
Image rejection	80 dB nominal
RF sensitivity	18 dBuV at 60 dBA S/N ratio (50 ohms termination)
Maximum output level	XLR, Balanced, +18 dBV
Headphone output connector	6.3 mm (1/4") TRS Stereo
Headphone output power	180 mW, typical
Antenna input	BNC-type, 50 ohms
Antenna power	12 V DC, 150 mA (combined)
Power supply	100 to 240 V AC (50/60 Hz)
Operating temperature range	-5 °C to +45 °C (23 °F to 113 °F)
Dimensions	482.0 mm (18.98") x 361.0 mm (14.21") x 43.0 (1.69") mm (W x D x H)
Weight (without accessories)	Approx. 4.8 kg (10.6 lb)
Included accessories	Flexible UHF antenna x 2, Power cable, leg x 4

ATW-T5201

RF output power ^{*1}	High: 50 mW, Mid: 10 mW, Low: 2 mW (switchable), at 50 ohms
Spurious emissions	Following federal and national regulations
Input connection	Four pin locking connector
	Pin 1: GND
	Pin 2: INST INPUT
	Pin 3: MIC INPUT
	Pin 4: DC BIAS +10 V



High-pass (low-freq. roll-off)	80 Hz, 12 dB/octave
Batteries	Two 1.5V AA, not included
Operating temperature range	-5 °C to +45 °C (23 °F to 113 °F)
Battery life	High: 7 hours ^{*2} , Mid: 9 hours ^{*2} , Low: 10.5 hours ^{*2} (alkaline)
Dimensions	64 mm (2.52") x 70 mm (2.76") x 17 mm (0.67") (W x D x H)
Weight (without batteries)	Approx. 92 g (3.2 oz)
Included accessories	Protective carrying case (AT-BG3)

*1 May differ depending on the country or region in which you live.
*2 Depending on battery type, usage and environmental conditions.

ATW-T5202

RF output power ^{*1}	High: 50 mW, Mid: 10 mW, Low: 2 mW (switchable), at 50 ohms
Spurious emissions	Following federal and national regulations
Microphone capsule	Interchangeable industry standard thread
High-pass (low-freq. roll-off)	80 Hz, 6dB/octave
Batteries	Two 1.5V AA, not included
Operating temperature range	-5 °C to +40 °C (23 °F to 104 °F)
Battery life	High: 6.5 hours ^{*2} , Mid: 8 hours ^{*2} , Low: 9.5 hours ^{*2} (alkaline)
Dimensions	ATW-T5202 (without capsule): 193 mm (7.60") long, 37 mm (1.46") maximum diameter ATW-T5202/C510: 265 mm (10.43") long, 54 mm (2.13") maximum diameter ATW-T5202/C710: 271 mm (10.67") long, 50 mm (1.97") maximum diameter
Weight (without batteries)	ATW-T3202 (without capsule): 200 g (7.1 oz) ATW-T5202/C510: 330 g (11.6 oz) ATW-T5202/C710: 314 g (11.1 oz)
Included accessories	AT8456a Quiet-Flex™ stand clamp (5/8"-27 male to 3/8"-16 female threaded screw adapter), Protective carrying case (AT-BG3)

*1 May differ depending on the country or region in which you live.
*2 Depending on battery type, usage and environmental conditions.

For product improvement, the product is subject to modification without notice.